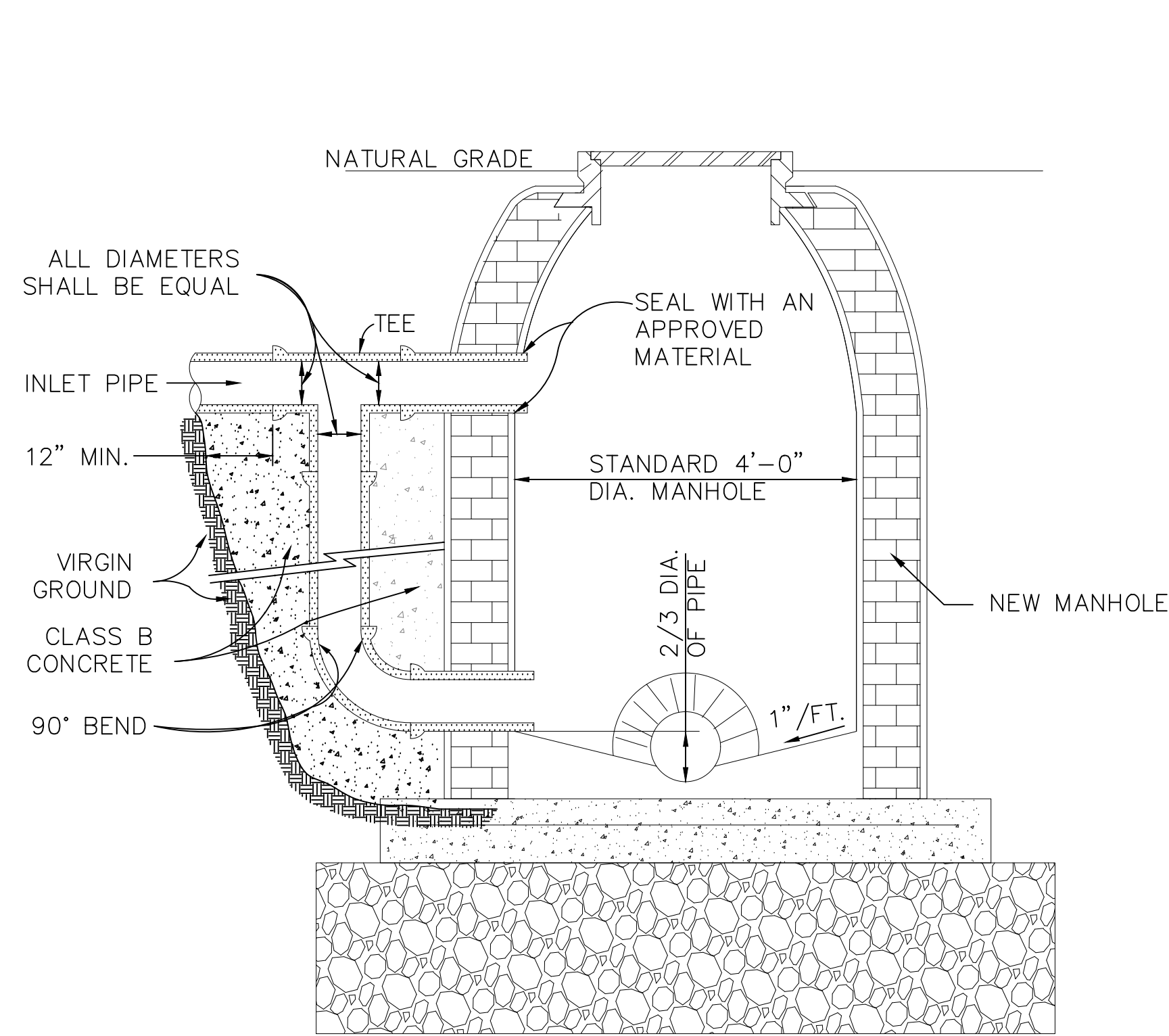
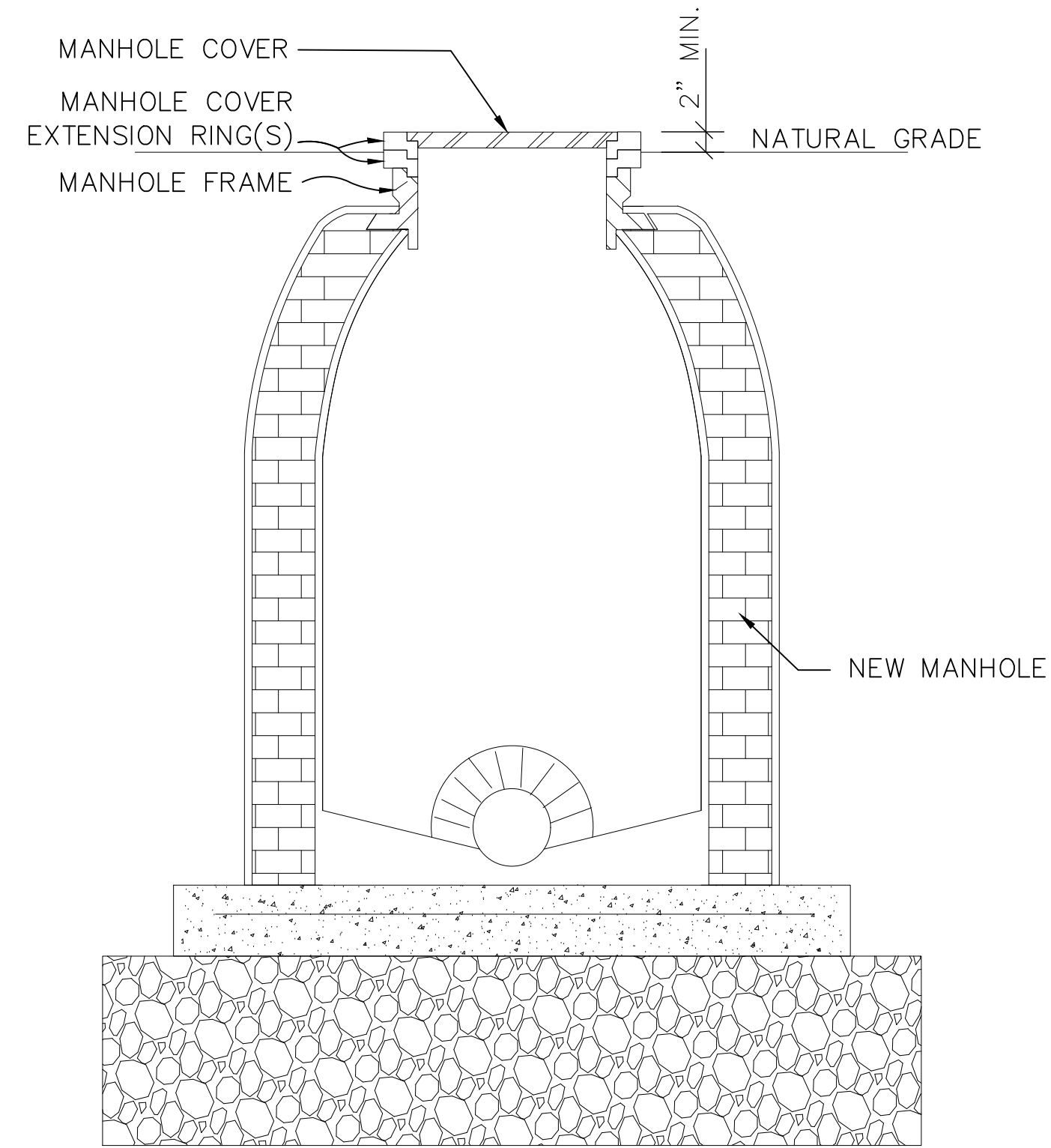


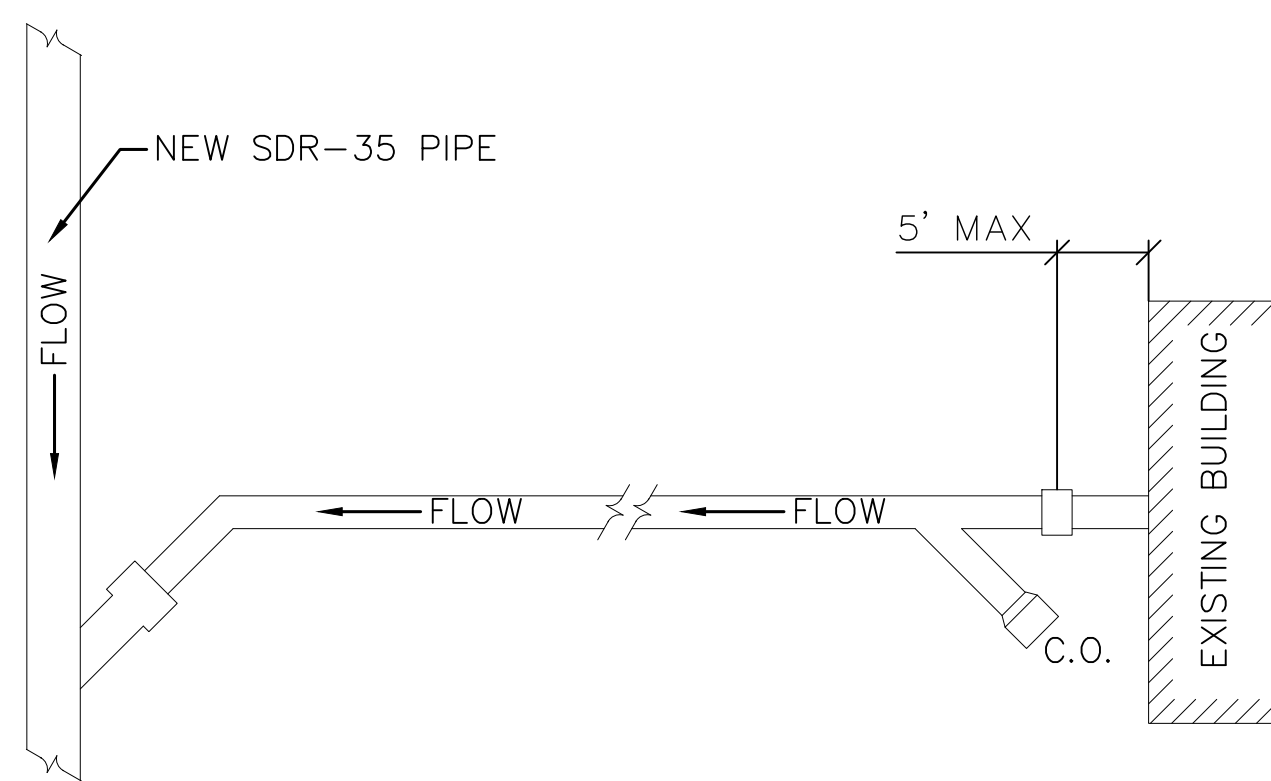
FILE NAME: A:\Projects\2024\24-001\Drawings\24-001-01-01-01.dwg  
 DATE: 5/8/2024  
 TIME: 10:58 AM  
 USER: brian.mistich



DROP SEWER MANHOLE, TYP 1  
 N.T.S. C-4

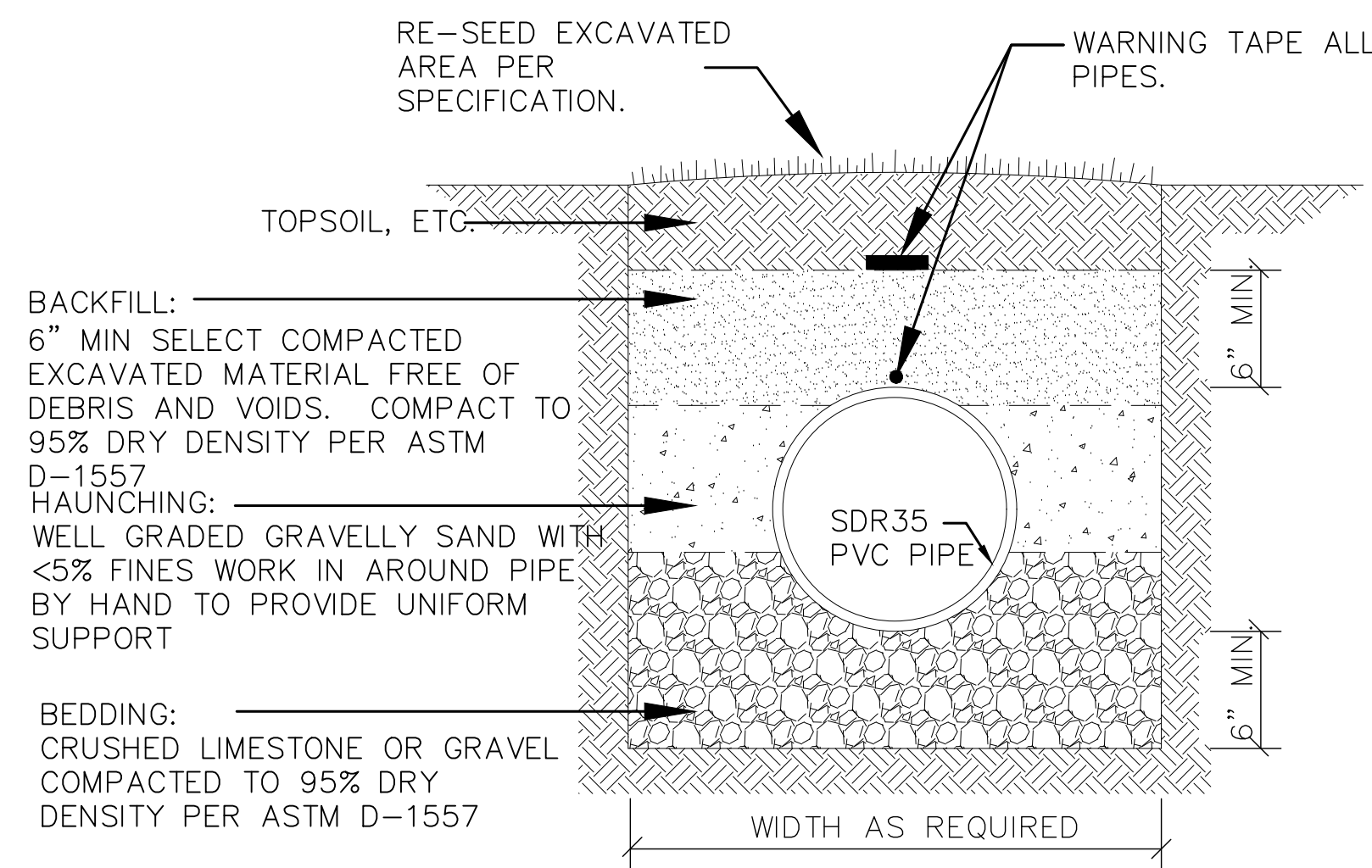


COVER EXTENSION RING(S) 2  
 N.T.S. C-4



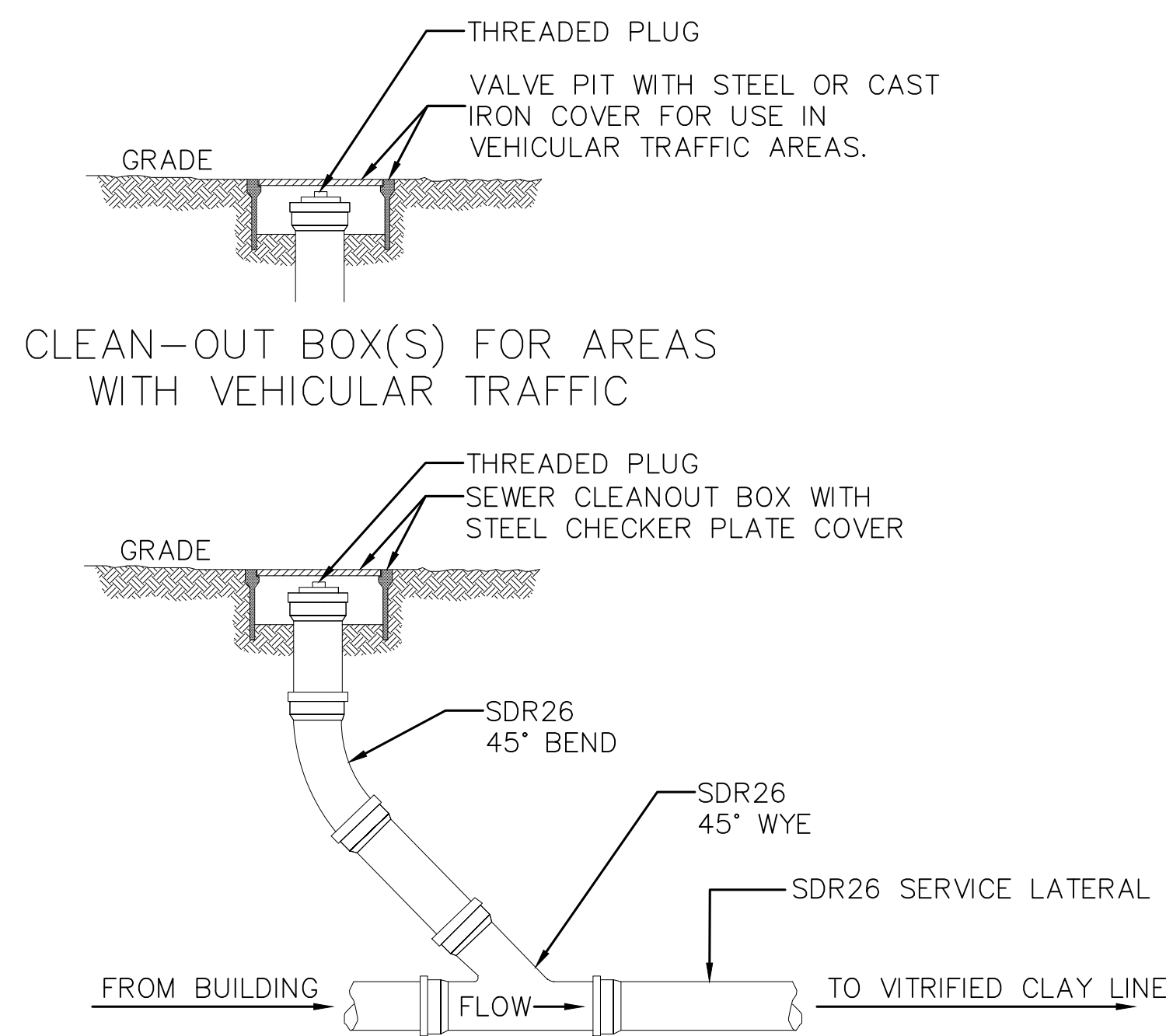
SERVICE LATERAL NOTES

TYP. SERVICE LATERAL SCHEMATIC 4  
 N.T.S. C-4

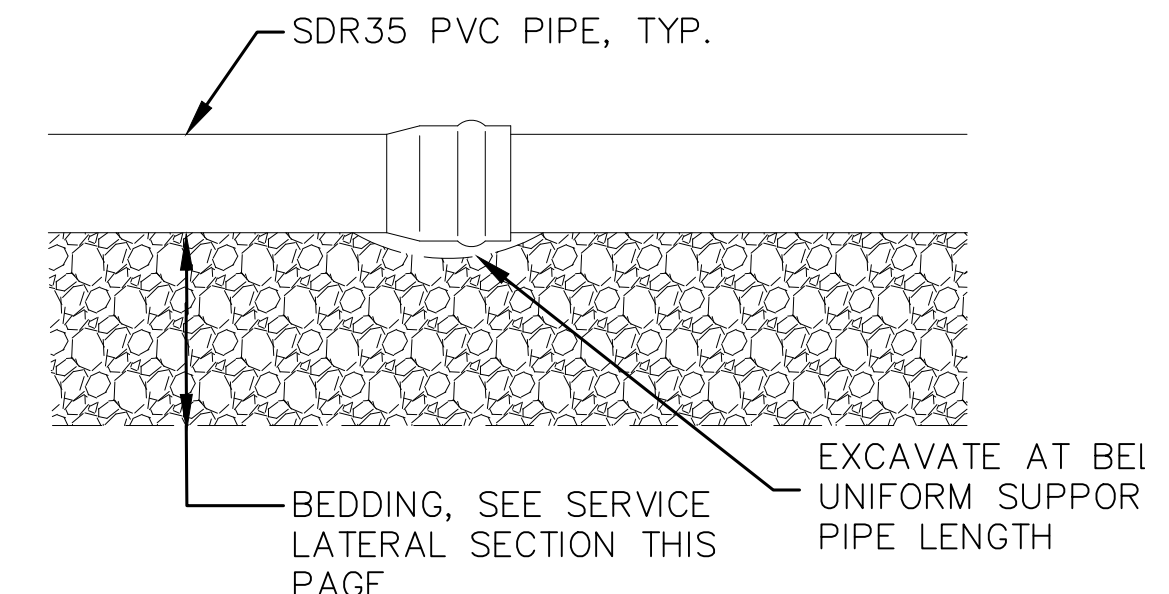


NOTE:  
 CONTRACTOR SHALL PROVIDE SHEETING AND BRACING TO CONTROL THE WIDTH OF EXCAVATED TRENCH AND TO SAFEGUARD THE INTEGRITY OF THE SEWER TRENCH. CONTRACTOR SHALL PROVIDE SUFFICIENT SHEETING AND BRACING TO PROVIDE SAFE WORKING CONDITIONS FOR HIS WORKMEN.

PIPE BEDDING SECTION 5  
 N.T.S. C-4



SEWER CLEANOUT DETAIL 6  
 N.T.S. C-4



SERVICE LATERAL DETAIL 7  
 N.T.S. C-4

#	DESCRIPTION	DATE



NEW FORCEMAIN  
**TANGIPAHOA PARISH LANDFILL**  
 AVITE CITY, LA  
 JOB No: 24-001  
 DATE: 5-8-2024  
 DRAWN BY: DPD  
 CHECKED BY: BAY

SHEET TITLE:  
 DETAILS  
 DRAWING NUMBER:  
**M104**