

Ordering Information

Applicable product:		
Three-hole sink	K-6589-3	shown
Two-hole sink	K-6589-2	not shown
Single-hole sink	K-6589-1	not shown
Accessories/hardware:		
Hardwood cutting board	K-6590	optional

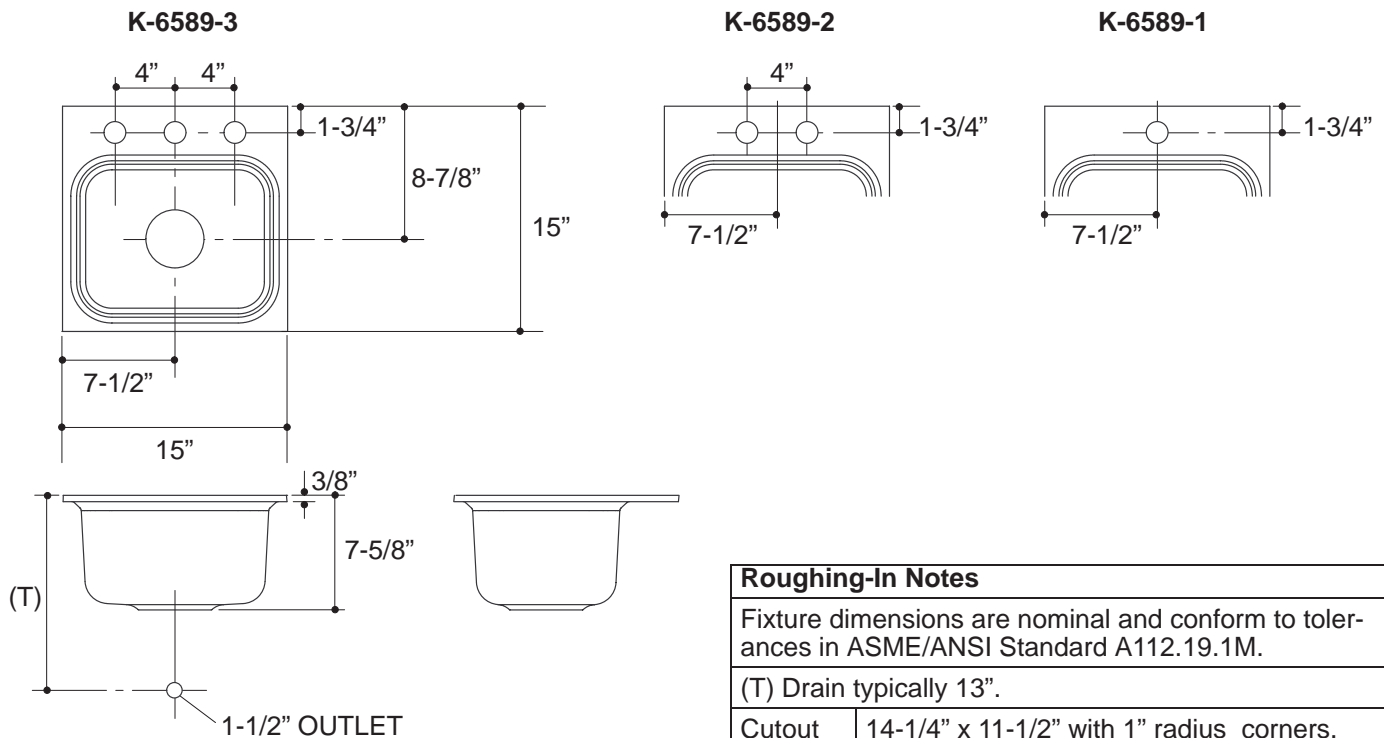
Product Information

Fixture*:		basin area	water depth
Sink		9-1/4" x 12"	7"
Outlet	3-7/8" D.		
Faucet holes	1-3/8" D.		

* Approximate measurements for comparison only.

Installation Notes

Refer to installation instructions included with fixture before beginning installation.



1.25>116

Roughing-In Notes

Fixture dimensions are nominal and conform to tolerances in ASME/ANSI Standard A112.19.1M.

(T) Drain typically 13".

Cutout 14-1/4" x 11-1/2" with 1" radius corners.