

Ordering Information

Accessories/hardware:		
Receptor	K-9537	required

Product Information

Fixture:	
Weight, shower enclosure	72 Kg.
Glass, tempered safety	clear

Installation Notes

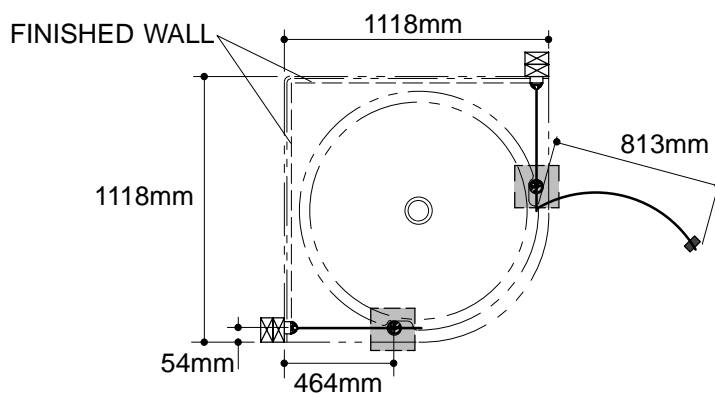
Refer to installation instructions included with fixture before beginning installation.

Roughing-In Notes

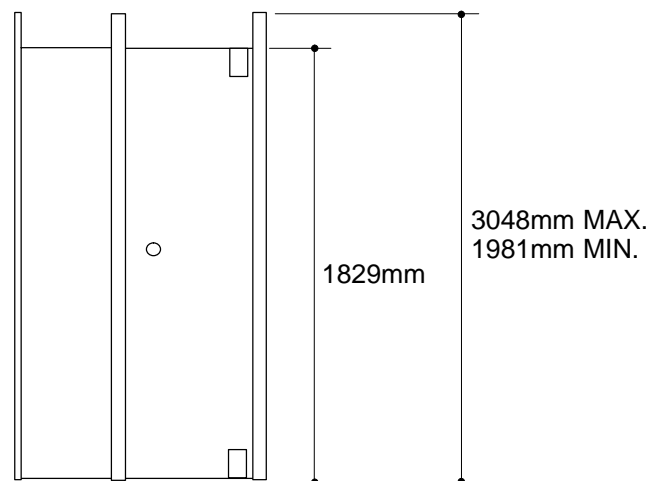
Glass conforms to ANSI Z97.1.

Structural support required in the ceiling above these locations.

Leave studs exposed. Shower enclosure wall jambs must be installed directly to studs.



TOP VIEW



FRONT VIEW