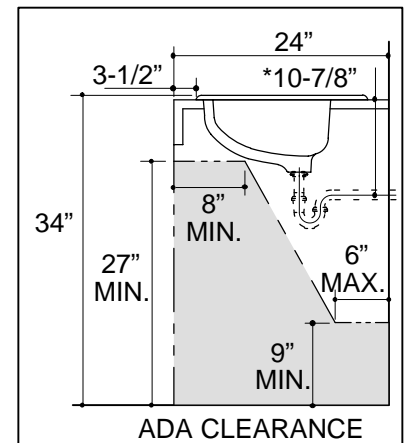
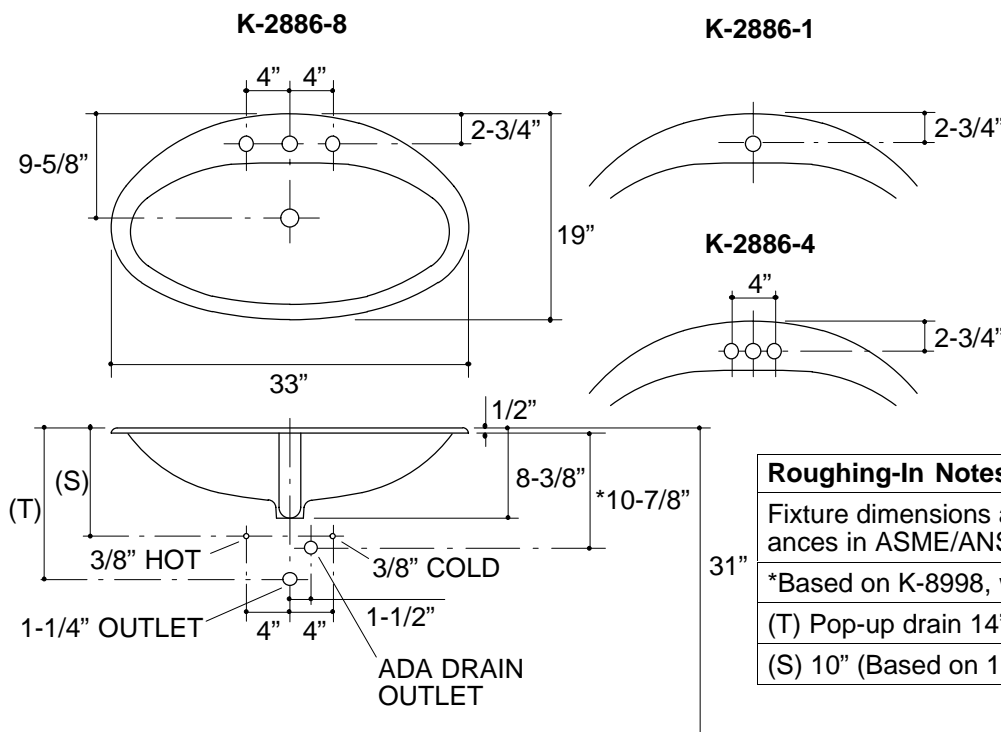


Ordering Information

Applicable product:		
8" centers	K-2886-8	shown
Single-hole	K-2886-1	not shown
4" centers	K-2886-4	not shown
Accessories/hardware:		
Trap	K-8998	recommended

Product Information

ADA compliant.			
Fixture*:		basin area	water depth
Lavatory		30" x 13"	4-7/8"
Outlet	1-11/16" D.		
* Approximate measurements for comparison only.			
Holes	K-2886-8	K-2886-1	K-2886-4
Spout	1-1/8" D.	1-3/8" D.	1-1/8" D.
Faucet	1-5/16" D.		1-3/16" D.
Included Components:			
Overflow ferrule			44071
Cutout template			100207-7



Roughing-In Notes

Fixture dimensions are nominal and conform to tolerances in ASME/ANSI Standard A112.19.1M.

*Based on K-8998, with 1" of tailpiece exposed.

(T) Pop-up drain 14".

(S) 10" (Based on 12" riser which may require cutting).

.9<116

K-2886 Ellipse™ Lavatory
106111-1- EA (-)

KOHLER®