

K-15102

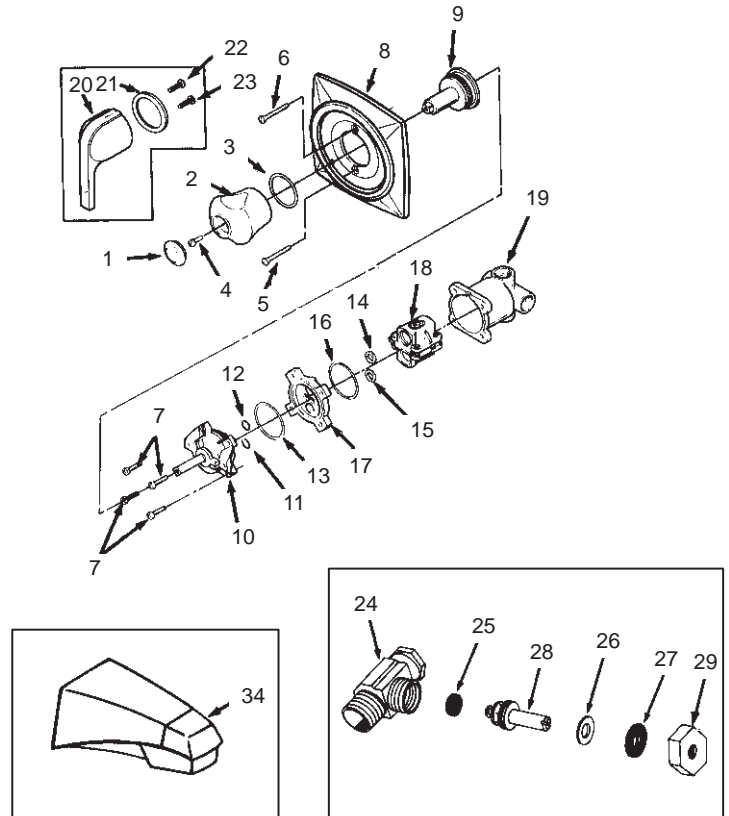
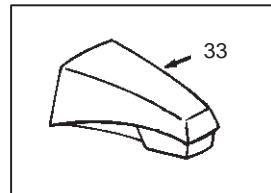
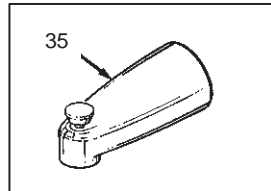
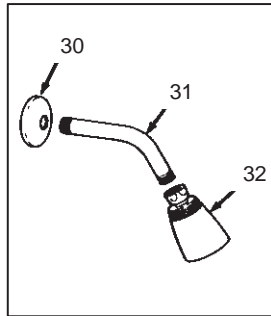
CORALAIS

PRESSURE BALANCED BATH AND SHOWER MIXING VALVES

ORDER BY KIT NUMBER OR PART NUMBER, NOT ITEM NUMBER OR KIT LETTER.

Ordering Options

| Item | Part No. or Kit |
|----------------|-----------------|
| 1 | 71841 |
| 2, 3 | A |
| 4 | A, B |
| 5, 6, 7 | B |
| 8 | 30321‡ |
| 9 | 30317 |
| 10 | C |
| 11, 12, 13 | C, D |
| 14, 15, 16 | D |
| 16, 17 | E |
| 18 | 30086 |
| 19 | * |
| 20, 21, 22, 23 | F |
| 24 | G, H |
| 25, 26 | G, H, I |
| 27, 28, 29 | G, H, I, J |
| 30 | 20429‡ |
| 31 | 51410‡ |
| 32 | 30120‡ |
| 33 | K or L |
| 34 | M or N |
| 35 | O |



Kit Ordering Information

| Kit | Kit Part No. | Kit Name | Kit Contents |
|-----|--------------|---------------------------------------|---|
| A | 30316 | Handle Kit | 1 ea., Items 1 thru 4 |
| B | 30315 | Screw Kit | 1 ea., Items 4 thru 6, 22 and 23; 4 ea., Item 7 |
| C | 30318 | Valve Kit | 1 ea., Items 10 thru 13 |
| D | 71541 | Valve Service Kit | 1 ea., Items 11 thru 16 |
| E | 30320 | Adapter Kit | 1 ea., Items 16 and 17 |
| F | 71904 | Lever Handle Kit | 1 ea., Items 20 thru 23 |
| G | 71902 | Stop (5/8" O.D. Copper) | 1 ea., Items 24 thru 29 |
| H | 71903 | Stop (1/2" I.P. Connection) | 1 ea., Items 24 thru 29 |
| I | 30494 | Valve Service Kit | 2 ea., Items 25 thru 29 |
| J | 30495 | Stop Valve Stem Kit | 2 ea., Items 27, 28, and 29 |
| K | 70444‡ | Spout (Slip Fit for 5/8" O.D. Copper) | 1 ea., Item 33 |
| L | 70445‡ | Spout (1/2" I.P. Connection) | 1 ea., Item 33 |
| M | 70446‡ | Diverter Spout (5/8" O.D. Copper) | 1 ea., Item 34 |
| N | 70447‡ | Diverter Spout (1/2" I.P. Connection) | 1 ea., Item 34 |
| O | 20391‡ | Diverter Spout (1/2" I.P. Connection) | 1 ea., Item 35 |

KITS MAY INCLUDE EXTRA PARTS

NOTES:

Other Product Numbers Using Same Parts:
 K-15104 K-15111 K-15117 K-15127
 K-15106 K-15108 K-15123 K-15129
 K-15108 K-15115 K-15125

* Not available as a service part.

LEGEND:

‡ Specify Finish.