

## Ordering Information

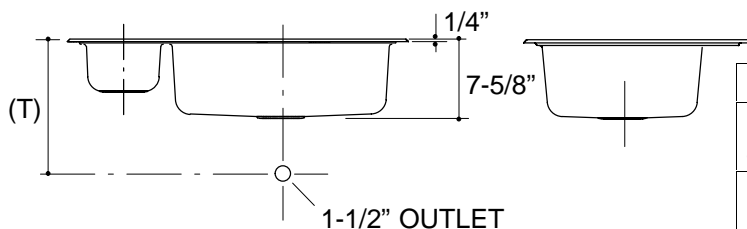
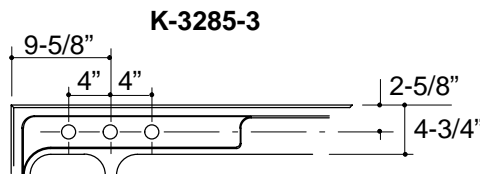
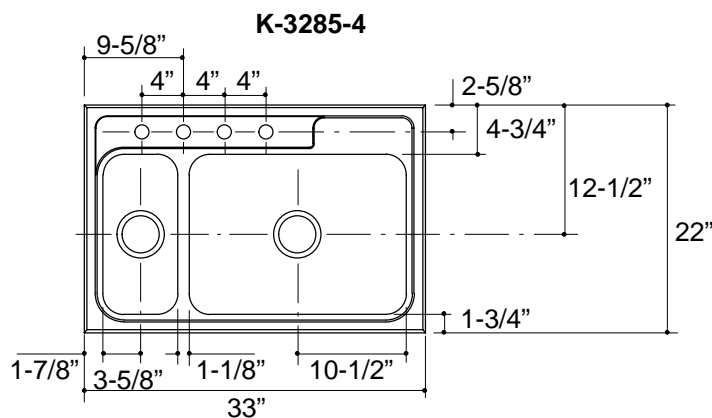
Applicable product:		
Four-hole sink	K-3285-4 K-3285-4H*	shown
Three-hole sink	K-3285-3 K-3285-3H*	not shown
* The variation H denotes additional highlighted finishing faucet deck.		
Accessories/hardware:		
Hardwood cutting board	K-3293	optional

## Product Information

Fixture*:		basin area	water depth
Sink		21" x 16"	7"
Disposal		7" x 16"	4-1/2"
Outlet	3-5/8" D.		
Faucet holes	1-7/16" D.		
* Approximate measurements for comparison only.			

## Installation Notes

Refer to installation instructions included with fixture before beginning installation.



### Roughing-In Notes

Fixture dimensions are nominal and conform to tolerances in ASME/ANSI Standard A112.19.3M.

For disposal unit, consult supplier for roughing-in measurements.

(T) Drain typically 12-7/8".

Cutout 32-1/2" x 21-1/2" with 1/2" radius corners.