

Ordering Information

| Accessories/hardware: | | |
|-------------------------------|--------|----------|
| Bottom basin rack | K-3192 | optional |
| Wire rinse basket | K-3277 | optional |
| Hardwood cutting board | K-3294 | optional |
| Duostrainer® sink strainer | K-8801 | optional |
| Stainless steel sink strainer | K-8813 | optional |
| Stainless steel sink strainer | K-8814 | optional |

Product Information

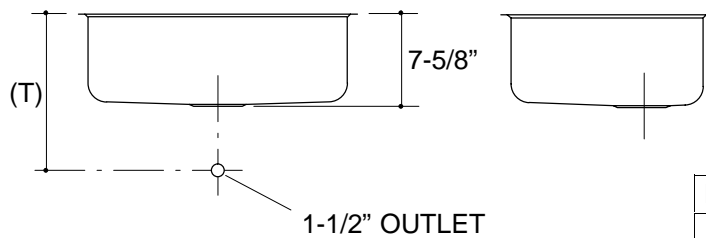
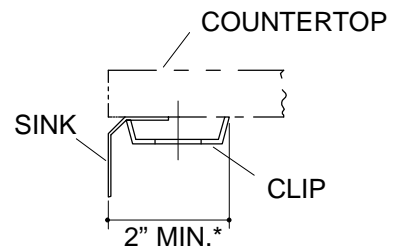
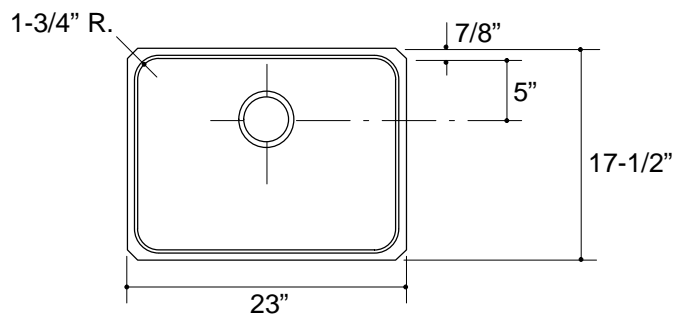
| Fixture*: | | basin area | water depth |
|--------------|-----------|------------|-------------|
| Sink | | 21" x 16" | 7-1/2" |
| Outlet | 3-5/8" D. | | |
| Faucet holes | 1-3/8" D. | | |

* Approximate measurements for comparison only.

| Included Components: | |
|----------------------|--------|
| Hardware kit | 91915 |
| Cutout template | 113193 |

Installation Notes

Refer to installation instructions included with fixture before beginning installation.



Roughing-In Notes

Fixture dimensions are nominal and conform to tolerances in ASME/ANSI Standard A112.19.3M.

(T) Drain typically 13\".

*Allow clearance around sink rim for clip attachment.