

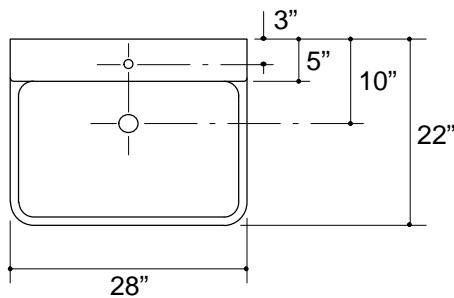
Ordering Information

Applicable product:		
Single-hole sink	K-12793	shown
8" centers sink	K-12794	not shown
Accessories/hardware:		
Brackets	K-1814-P	required*
Drain, 1-1/2" O.D.	K-9115	optional
Drain, 2" O.D.	K-9118	optional
Trap	K-9000	optional
*Recommended for configuration illustrated.		

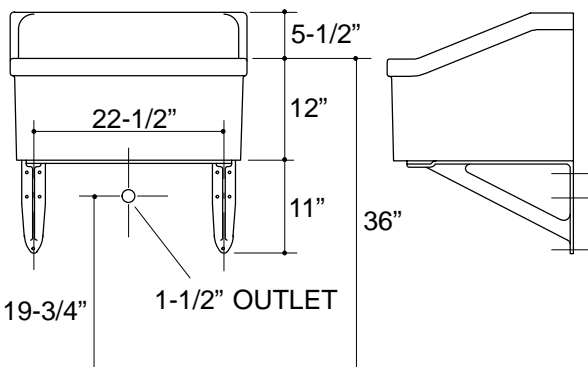
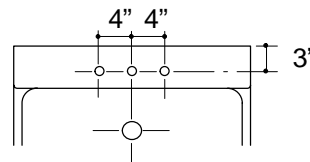
Product Information

Fixture*:		basin area	water depth
Sink		26" x 16"	11-1/8"
Outlet	2-1/4" D.		
Faucet hole	1-1/8" D.		
* Approximate measurements for comparison only.			

K-12793



K-12794



.7<116

Roughing-In Notes

Fixture dimensions are nominal and conform to tolerances in ANSI Standard A112.19.2M.

Recommended accessories/hardware are shown.