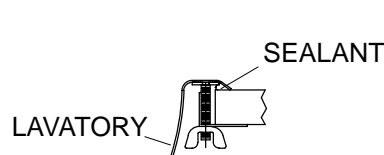
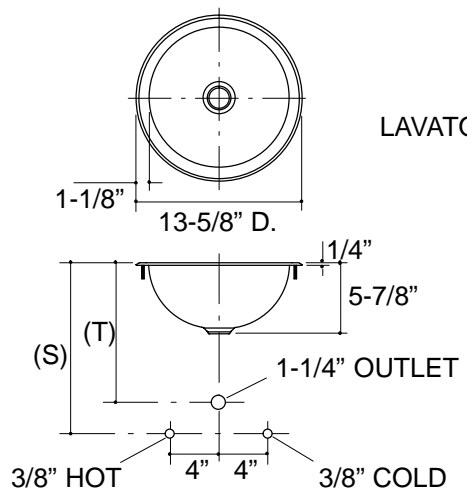


Ordering Information

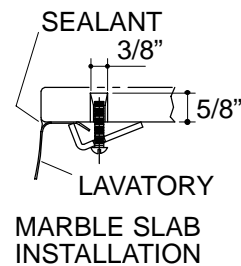
Applicable lavatory:		
Mirror finish	K-2610-M	shown
Mirror finish without Hushcoat undercoat	K-2610-MU	shown
Satin finish	K-2610-S	shown
Satin finish without Hushcoat undercoat	K-2610-SU	shown

Product Information

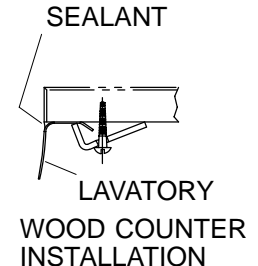
Fixture*:		basin area	water depth
Lavatory		11-1/2" D.	5-1/4"
Outlet	1-5/8" D.		
* Approximate measurements for comparison only.			
Included Components:			
Basin clamp assembly (undercounter)	68922		
Basin clamp assembly (self-rimming)	56655		
Drain gasket	33507		
Tube	62603		
Adhesive sealant	63034		
Cutout template	111578-7		



KIT #56655



KIT #68922



NOTE: WATERPROOF UNPROTECTED OVERHANG AREA OF THE UNDERSIDE OF WOOD COUNTER.

Roughing-In Notes

Fixture dimensions are nominal and conform to tolerances in ASME/ANSI Standard A112.19.3M.

(T) Pop-up drain 11-7/16", drain 10-9/16".

(S) 14" (Based on 12" riser which may require cutting).

Supplied basin clamp assemblies require 3/4" minimum countertop thickness. Installer must supply anchors for thinner countertops.