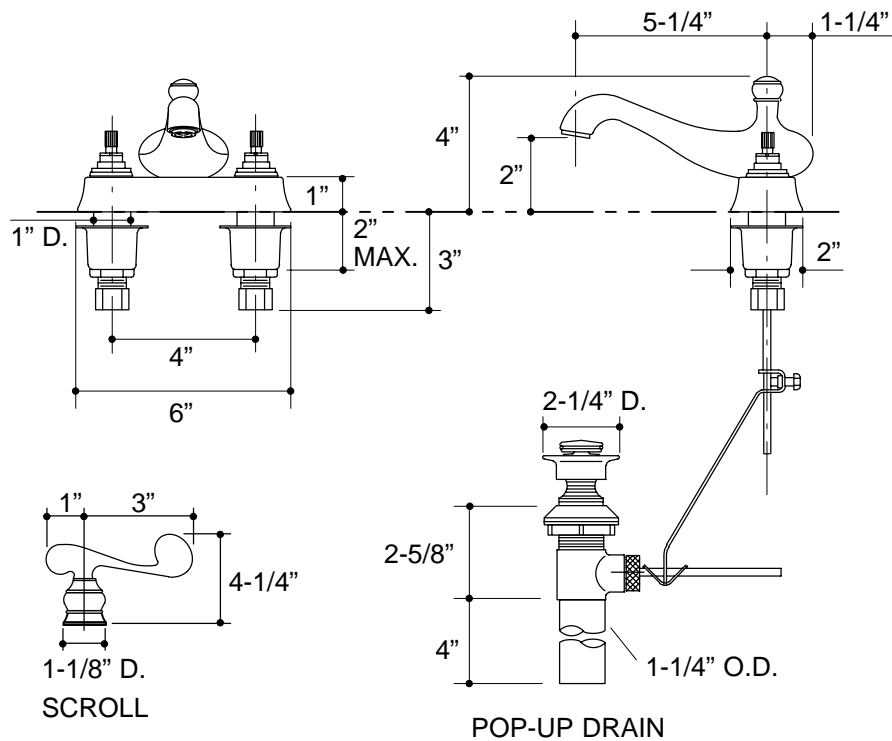


Ordering Information

Applicable faucet with drain:	
With scroll handle	K-16100-4
With traditional handle	K-16100-4A
ADA Traditional and scroll lever handles are ADA compliant	



316 TRADITIONAL

SCROLL

POP-UP DRAIN

K-16100 Revival™ Lavatory Faucet
113282-1-DA (9619)

NOTES: