

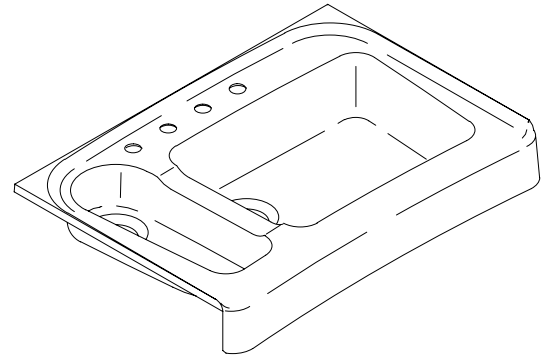
BARRIER-FREE KITCHEN SINK

K-6536

ADA

FEATURES

- 36" x 24"
- Cast iron
- Acid resistant enamel finish
- Tile-in or undercounter installation
- Double (high/low) compartment
- 3-hole (K-6536-3), or 4-hole (K-6536-4) drilling
- ADA compliant



CODES/STANDARDS APPLICABLE

Specified model meets or exceeds the following:

- ADA
- ASME/ANSI A112.19.1M
- CABO/ANSI A117.1
- IAPMO/UPC
- State of Massachusetts

COLORS/FINISHES

- 0 White
- Other Refer to Fixtures Price Book for additional colors

Accessories:

- CP Polished Chrome
- A-NA White
- B-NA Cocoa
- Other Refer to Price Book for additional finishes

SPECIFIED MODEL:

Model	Description	Colors/Finishes	
K-6536-3	3-hole sink	<input type="checkbox"/> 0 White	<input type="checkbox"/> Other_____
K-6536-4	4-hole sink	<input type="checkbox"/> 0 White	<input type="checkbox"/> Other_____

Recommended Accessories			
K-9000	Trap	<input type="checkbox"/> CP	
Optional Accessories			
K-6543	Removable barrier-free shroud	<input type="checkbox"/> A-NA	<input type="checkbox"/> B-NA
K-6537	Polyethylene cutting board	<input type="checkbox"/> 0 White	
K-6538	Polypropylene colander	<input type="checkbox"/> 0 White	
K-6539	Polypropylene drainboard/coated wire dish rack	<input type="checkbox"/> 0 White	
K-8801	Duostrainer sink strainer	<input type="checkbox"/> CP	<input type="checkbox"/> Other_____

PRODUCT SPECIFICATION:

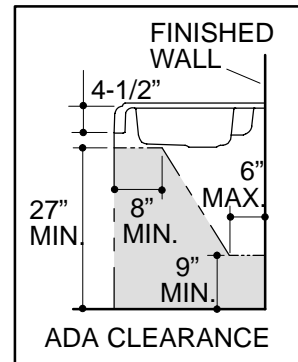
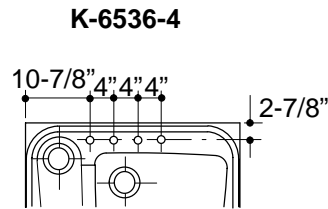
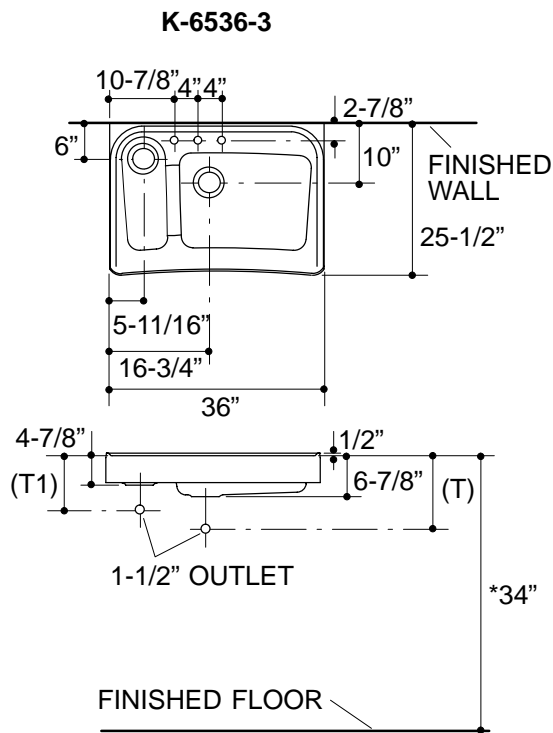
The barrier-free tile-in or undercounter sink shall be 36" in length, and 24" in width. Sink shall be made of cast iron with acid resistant enamel finish. Sink shall be double (high/low) compartment. Sink shall be 3-hole (K-6536-3), or 4-hole (K-6536-4) drilled. Sink shall be ADA compliant. Sink shall be Kohler Model K-6536-_____-_____-_____.

PRODUCT INFORMATION

ADA compliant.			
Fixture*:		basin area	water depth
Sink, small		7" x 19"	3-3/4"
Sink, large		21" x 16"	5-3/4"
Outlet	3-5/8" D.		
Faucet holes	1-3/8" D.		
* Approximate measurements for comparison only.			

INSTALLATION NOTES

Selected garbage disposal MUST NOT interfere with clear floor space.



Roughing-In Notes

Provide clear floor space per ANSI A117.1 as shown. These also comply with ADA requirements.

(T) Drain typically 12-1/4".

(T1) Drain typically 10-1/4".

*Complies with ADA requirement when rim is no higher than 34" from finished floor.

PRODUCT DIAGRAM