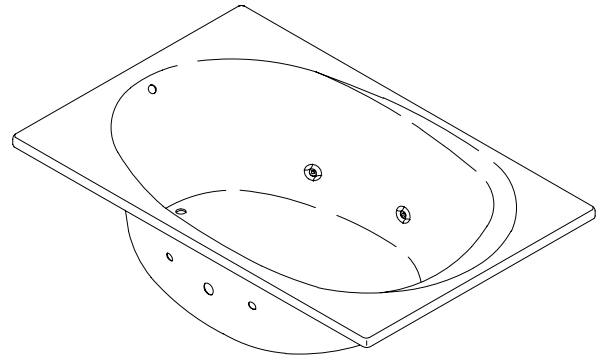


### FEATURES

- 72" x 48" x 23"
- Acrylic
- System I - 3/4 hp pump with air switch actuator
- 6 factory-installed color-matched plastic Flexjets
- UL Listed
- Optional K-1223 front apron
- Pump is supplied with a grounding-type plug in cord



### CODES/STANDARDS APPLICABLE

Specified model meets or exceeds the following:

- ANSI Z124.1
- ASME/ANSI A112.19.7M
- IAPMO/UPC
- Underwriters Laboratories (UL)
- State of Massachusetts

### COLORS/FINISHES

- 0 White
- Other Refer to Fixtures Price Book for additional colors

#### Accessories:

- CP Polished Chrome
- PB Polished Brass
- Other Refer to Faucets Price Book for additional finishes
- NA None Applicable

### SPECIFIED MODEL:

Model	Description	Colors/Finishes		
K-1221	Bath whirlpool	<input type="checkbox"/> 0 White	<input type="checkbox"/> Other_____	
<b>Recommended Accessories</b>				
K-7161-AF	Drain	<input type="checkbox"/> CP	<input type="checkbox"/> PB	<input type="checkbox"/> Other_____
<b>Optional Accessories</b>				
K-1223	Apron (non-removable)	<input type="checkbox"/> 0 White	<input type="checkbox"/> Other_____	
K-9696	Flexjet trim kit (metal finishes)	<input type="checkbox"/> CP	<input type="checkbox"/> PB	<input type="checkbox"/> Other_____
K-1179	Vinyl tiling-in bead (use when wall material contacts any top surface of bath)	<input type="checkbox"/> NA		

### PRODUCT SPECIFICATION:

The bath whirlpool shall be 72" in length, 48" in width, and 23" in height. Bath whirlpool shall be made of acrylic. Bath whirlpool shall have System I, 3/4 hp pump with air switch actuator. Bath whirlpool shall have 6 factory-installed color-matched plastic Flexjets. Bath whirlpool shall be UL listed. Bath whirlpool shall have optional K-1223 front apron. Bath whirlpool pump shall be supplied with a grounding-type plug-in cord. Bath whirlpool shall be Kohler Model K-1221-\_\_\_\_\_.

# SEADREAM™

## REQUIRED ELECTRICAL SERVICE

Dedicated circuit required, protected with Class A Ground-Fault Circuit-Interrupter (GFCI):

Pump/control	120 V., 15 A, 60 Hz
--------------	---------------------

## PRODUCT INFORMATION

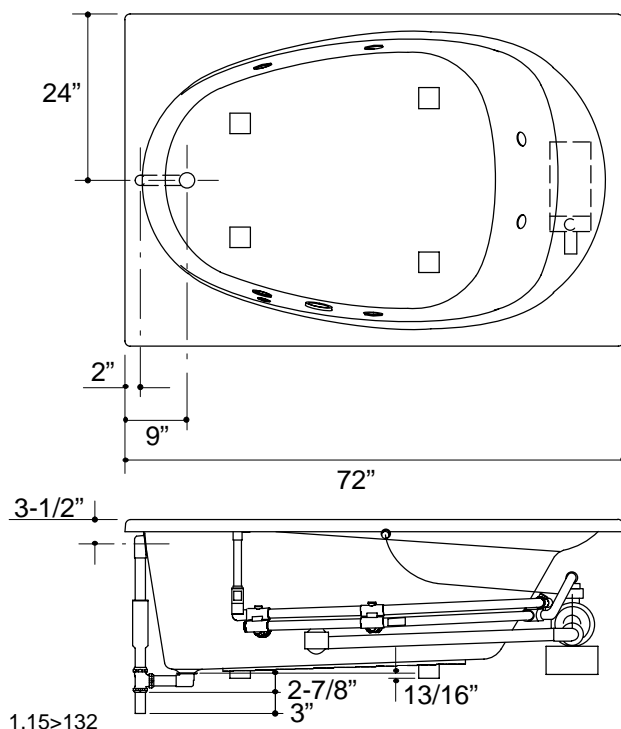
Fixture*:	basin area	top area	weight
Bathing well	47" x 37"	67" x 42"	120 lbs.
	water depth	capacity	
To overflow	16-7/8"	122 gal.	

\* Approximate measurements for comparison only.

Pump:	HP	V	Hz	A
1-speed	3/4	120	60	10.5

## INSTALLATION NOTES

Each pump is supplied with a grounding type plug-in cord. Locate the outlet behind the whirlpool, and within 24" of the pump.



### Roughing-In Notes

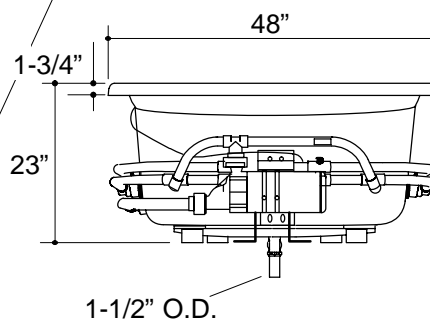
No change in measurements if connected with drain illustrated.

Cut-out	70-1/4" x 46-1/4"
---------	-------------------

Minimum access panel:

Pump/control	20" W x 15" H	required
--------------	---------------	----------

### PUMP/CONTROL ACCESS



## PRODUCT DIAGRAM