

## Ordering Information

Accessories/hardware:		
Drain	K-7166-AF	recommended
Curtain Rod	K-9702	optional

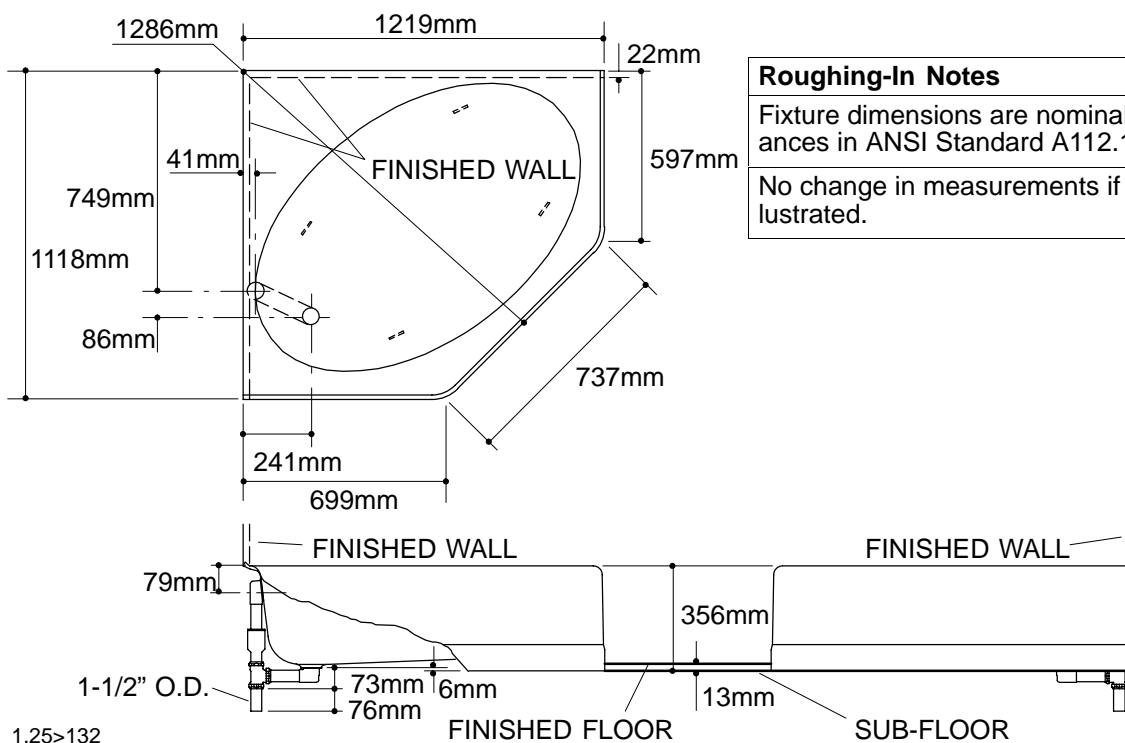
## Product Information

Fixture*:	basin area	top area	weight
Bathing well	1092 x 635mm	1219 x 762mm	150 Kg.
	water depth	capacity	
To overflow	219mm	125 litres	

\* Approximate measurements for comparison only.

## Installation Notes

Refer to installation instructions included with fixture before beginning installation.



### Roughing-In Notes

Fixture dimensions are nominal and conform to tolerances in ANSI Standard A112.19.1.

No change in measurements if connected with drain illustrated.

1.25>132