

Ordering Information

Applicable product:		
Right outlet	K-1458-H	shown
Left outlet	K-1459-H	not shown
Accessories/hardware:		
Jet trim kit	K-9695	required
Drain	K-7161-AF	recommended
Apron	K-1444	optional
Vinyl tiling-in bead*	K-1177	optional
*Use K-1177 vinyl bead when wall material contacts any top surface of the drop-in rim style bath.		

Required Electrical Service

Dedicated circuit required, protected with Class A Ground-Fault Circuit-Interrupter (GFCI):	
Pump/control, heater	120 V, 20 A, 60 Hz

Product Information

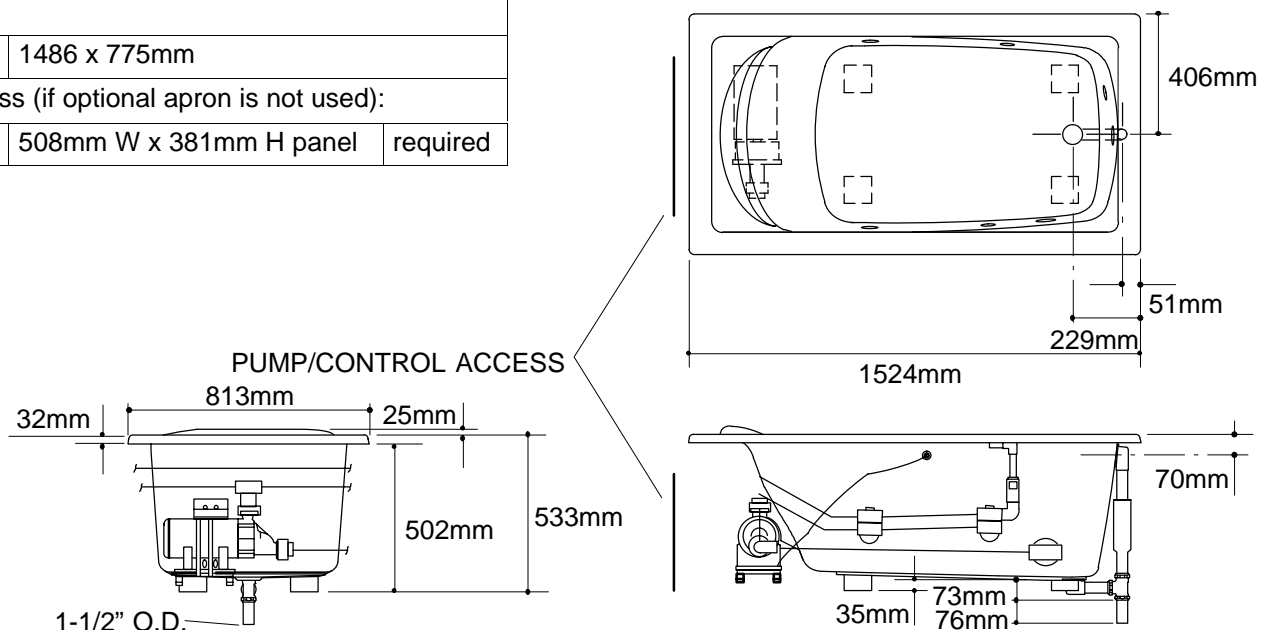
Fixture*:	basin area	top area	weight		
Bathing well	1016 x 610mm	1245 x 660mm	52 Kg.		
	water depth	capacity			
To overflow	400mm	238 litres			
* Approximate measurements for comparison only.					
Pump:	high HP	low HP	V	Hz	A
2-speed	1	1/8	120	60	16.5

Installation Notes

Refer to installation instructions included with fixture before beginning installation.

Each pump is supplied with a grounding type plug-in cord. Locate the outlet behind the whirlpool, and within 24" of the pump.

Roughing-In Notes		
Fixture conforms to ANSI Standard Z124.1. All dimensions are nominal.		
No change in measurements if connected with drain illustrated.		
Cut-out	1486 x 775mm	
Minimum access (if optional apron is not used):		
Pump/control	508mm W x 381mm H panel	required



1.25>132

1-1/2" O.D.