

Ordering Information

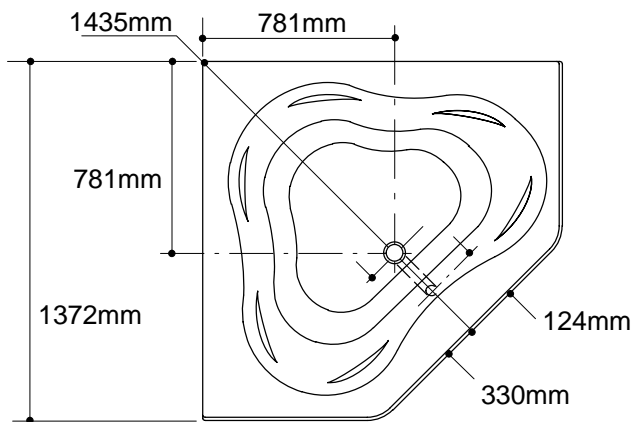
Accessories/hardware:		
Drain	K-11677	recommended
Vinyl tiling-in bead*	K-1179	optional
*Use K-1179 vinyl bead when wall material contacts any top surface of bath.		

Product Information

Fixture*:	basin area	top area	weight
Bathing well	1118 x 914mm	1422 x 1092mm	23 Kg.
	water depth	capacity	
To overflow	381mm	288 litres	
* Approximate measurements for comparison only.			

Installation Notes

Refer to installation instructions included with fixture before beginning installation.



Roughing-In Notes
Fixture conforms to ANSI Standard Z124.1. All dimensions are nominal.
No change in measurements if connected with drain illustrated.

