

**ANGLE SUPPLY WITH STOP**  
**K-7653**  
**ALSO K-7654**

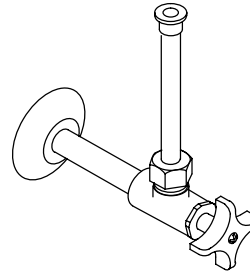
**FEATURES**

- Brass construction
- Compression valve
- Four-arm handle stop
- Flange

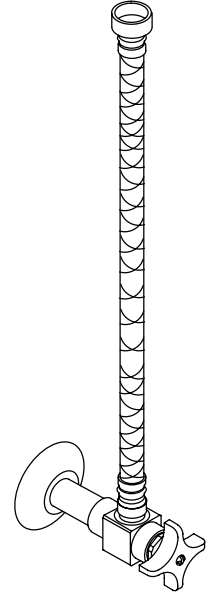
**CODES/STANDARDS APPLICABLE**

Specified model meets or exceeds the following:

- ASME/ANSI A112.18.1M
- IAPMO/UPC (K-7653)



K-7653



K-7654

**COLORS/FINISHES**

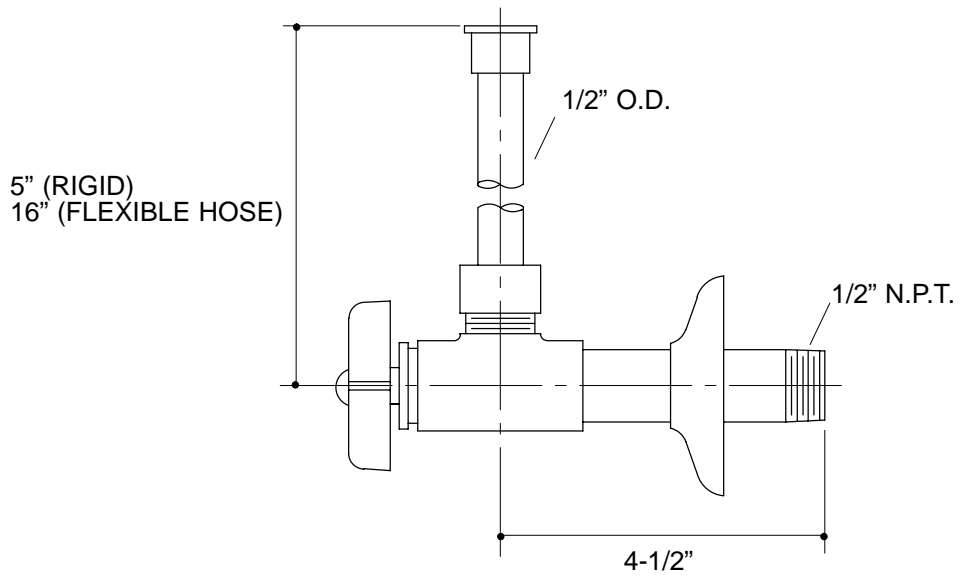
- CP Polished Chrome
- PB Polished Brass
- Other Refer to Faucets Price Book for additional finishes

**SPECIFIED MODEL:**

Model	Description			
K-7653	With Rigid Connection	<input type="checkbox"/> CP	<input type="checkbox"/> PB	<input type="checkbox"/> Other_____
K-7654	With Flexible Hose Connection	<input type="checkbox"/> CP		<input type="checkbox"/> Other_____

**PRODUCT SPECIFICATION:**

Angle supply with stop shall be of brass construction. Product shall include a compression valve, nipple, flange, four-arm handle stop, and 1/2" N.P.T. connection. Optional feature shall be vertical metal supply tube with flange or 16" braided flexible hose. Supply (single) shall be Kohler Model K-\_\_\_\_\_-\_\_\_\_\_-\_\_\_\_\_.



**PRODUCT DIAGRAM**