

FEATURES

- Brass construction
- Metal construction (Economy)
- Lever handle

BATH AND SHOWER FAUCET TRIM

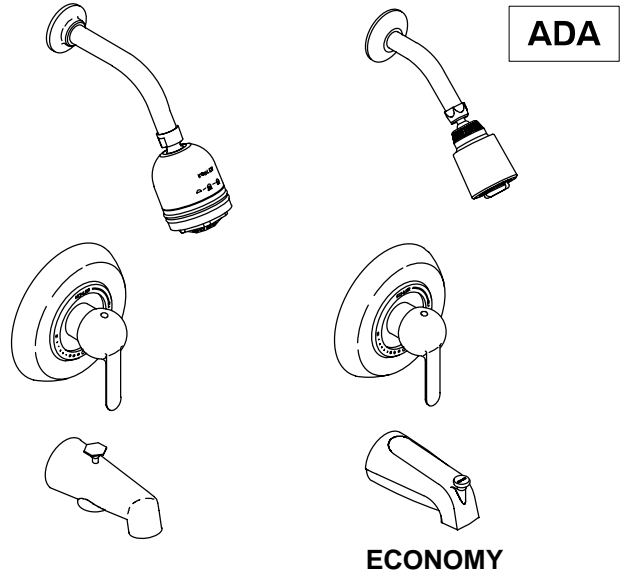
K-T14540-4

ALSO K-T14541-4, K-T14542-4,
K-T14546-4, K-T14547-4, K-304

CODES/STANDARDS APPLICABLE

Specified model meets or exceeds the following:

- ASME/ANSI A112.18.1M
- ASSE/ANSI 1016
- IAPMO/UPC
- NSF 14

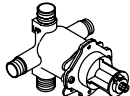
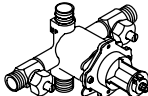


COLORS/FINISHES

- CP Polished Chrome
- PB Polished Brass
- Other Refer to Faucets Price Book for additional finishes

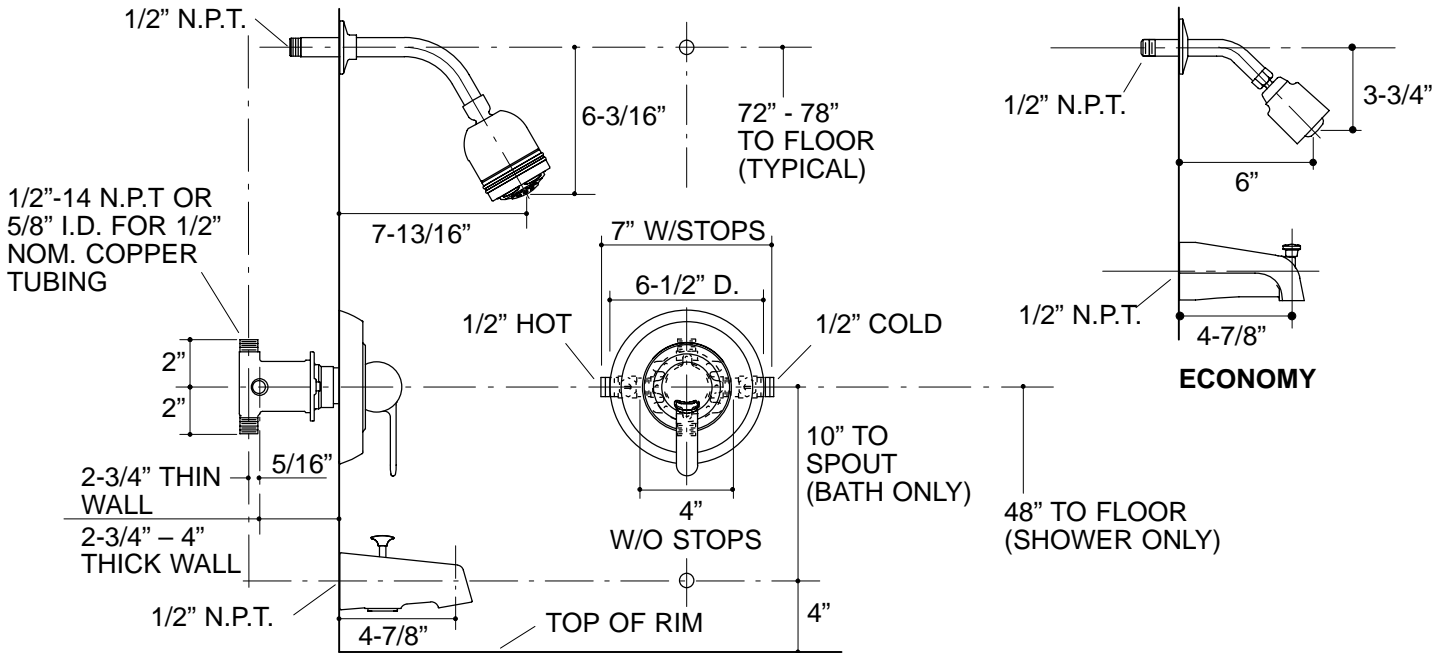
SPECIFIED MODEL: For complete faucet, both faucet trim and Rite-Temp valve must be specified.

Model	Description			
K-T14540-4	Bath and Shower Faucet Trim	<input type="checkbox"/> CP	<input type="checkbox"/> PB	<input type="checkbox"/> Other_____
K-T14541-4	Shower Only Faucet Trim	<input type="checkbox"/> CP	<input type="checkbox"/> PB	<input type="checkbox"/> Other_____
K-T14542-4	Valve Only Faucet Trim	<input type="checkbox"/> CP	<input type="checkbox"/> PB	<input type="checkbox"/> Other_____
K-T14546-4	Bath and Shower Faucet Trim (Economy)	<input type="checkbox"/> CP		
K-T14547-4	Shower Only Faucet Trim (Economy)	<input type="checkbox"/> CP		

Required Accessory			
K-304-K	Rite-Temp Valve Without Stops	<input type="checkbox"/> NA	
K-304-KS	Rite-Temp Valve With Stops		<input type="checkbox"/> NA

PRODUCT SPECIFICATION:

Rite-Temp pressure-balancing single-control bath and shower faucet trim shall be of brass or metal (Economy) construction. Bath and shower trim shall include showerhead with arm and flange, 4-7/8" diverter spout with N.P.T. connection, and faceplate with handle. Shower only trim shall include showerhead with arm and flange, and faceplate with handle. Valve only trim shall include faceplate with handle. Faucet trim shall be K-T_____ -_____ -_____ and Rite-Temp valve shall be K-304-_____ -NA.



PRODUCT DIAGRAM