

Ordering Information

Applicable product:		
Left corner to wall	K-1315-H	not shown
Right corner to wall	K-1316-H	shown
Accessories/hardware:		
Jet trim kit	K-9695	required
Drain	K-7161-AF	recommended
Apron (left corner bath)	K-1341	recommended
Apron (right corner bath)	K-1342	recommended
End panel/apron (L corner)	K-1345	optional
End panel/apron (R corner)	K-1347	optional

Required Electrical Service

Dedicated circuit required, protected with Class A Ground-Fault Circuit-Interrupter (GFCI):	
Pump/control	120 V., 20 A, 60 Hz

Product Information

Fixture*:	basin area	top area	weight
Bathing well	1067 x 737mm	1321 x 813mm	50 Kg.
	water depth	capacity	
To overflow	381mm	257 litres	

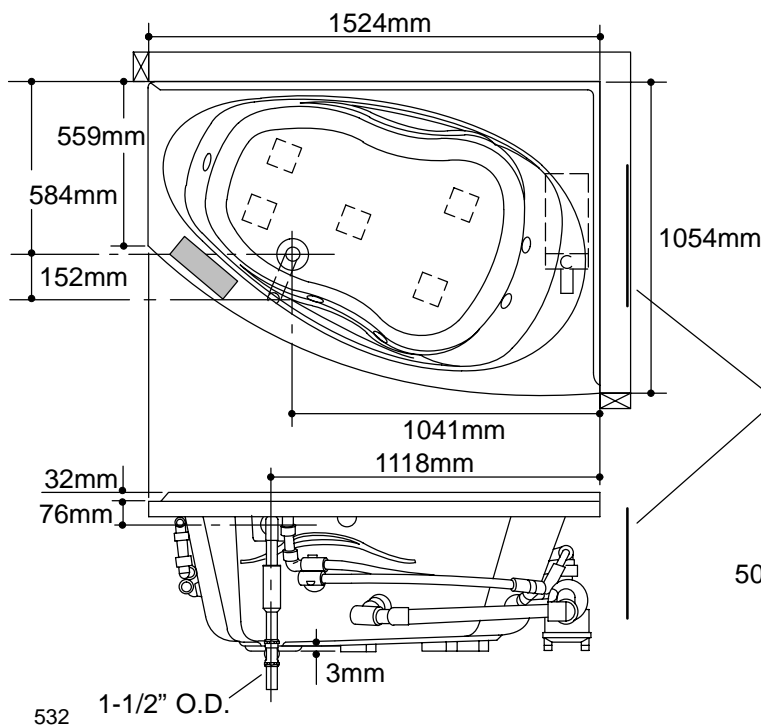
* Approximate measurements for comparison only.

Pump	high HP	low HP	V	Hz	A
2-speed	1	1/8	120	60	16.5

Installation Notes

Refer to installation instructions included with fixture before beginning installation.

If installing a rim-mount faucet, make sure there is no interference with drain overflow and circulating system before drilling any holes. Consult local and national codes for minimum air gap requirements if installing a spout on the faucet deck. Each pump is supplied with a grounding type plug-in cord. Locate the outlet behind the whirlpool, and within 610mm of the pump.



Roughing-In Notes		
Fixture conforms to ANSI Standard Z124.1. All dimensions are nominal.		
No change in measurements if connected with drain illustrated.		
Minimum access panel (if apron is not used):		
Pump/control	508mm W x 381mm H	required
Locate studs to outside edges of unit for apron and end panel installation.		
Faucet area		recommended

