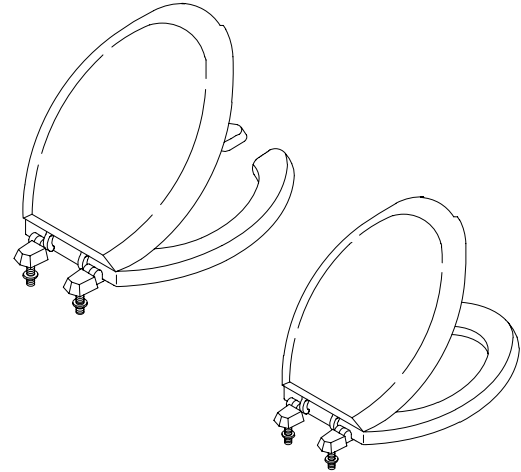


RESIDENTIAL TOILET SEAT

K-4650, K-4652
K-4660, K-4662

FEATURES

- Elongated or round front
- Solid plastic
- Open or closed front
- With cover
- Includes an anti-microbial agent formed into the plastic which inhibits the growth of bacteria and germs on the toilet seat (-A)



CODES/STANDARDS APPLICABLE

Specified model meets or exceeds the following:

- None applicable

COLORS/FINISHES

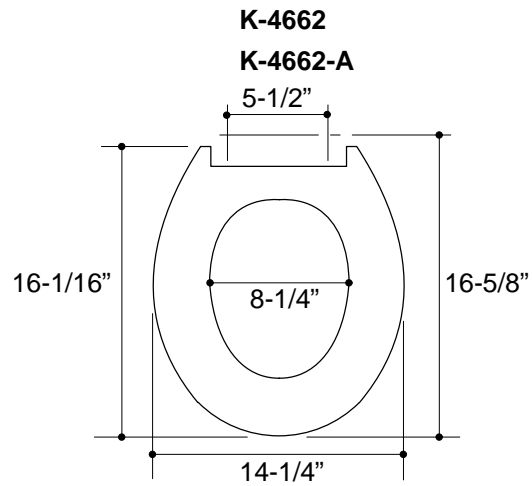
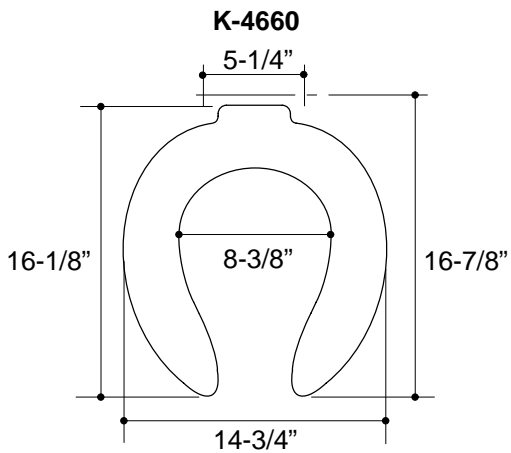
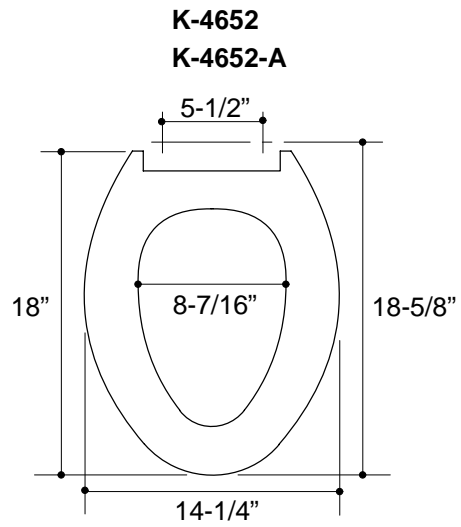
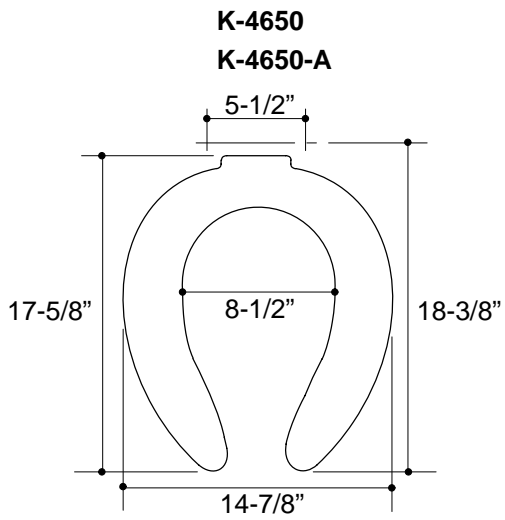
- 0 White
- Other Refer to Fixtures Price Book for additional colors

SPECIFIED MODEL:

Model	Description	Colors/Finishes	
K-4650	Elongated open front seat	<input type="checkbox"/> 0 White	<input type="checkbox"/> Other _____
K-4650-A	Same as K-4650 except with anti-microbial agent formed into the plastic	<input type="checkbox"/> 0 White	
K-4652	Elongated closed front seat	<input type="checkbox"/> 0 White	<input type="checkbox"/> Other _____
K-4652-A	Same as K-4652 except with anti-microbial agent formed into the plastic	<input type="checkbox"/> 0 White	
K-4660	Round open front seat	<input type="checkbox"/> 0 White	<input type="checkbox"/> Other _____
K-4662	Round closed front seat	<input type="checkbox"/> 0 White	<input type="checkbox"/> Other _____
K-4662-A	Same as K-4662 except with anti-microbial agent formed into the plastic	<input type="checkbox"/> 0 White	

PRODUCT SPECIFICATION:

The toilet seat shall be elongated or round front. Toilet seat shall be made of solid plastic. Toilet seat shall be open or closed front. Toilet seat shall have cover. Toilet seat shall include anti-microbial agent which inhibits the growth of bacteria and germs (-A). Toilet seat shall be Kohler Model K-_____-_____-_____.



34

PRODUCT DIAGRAM