

## Ordering Information

Accessories/hardware:		
Jet trim kit	K-9696	required
Drain	K-7166-AF	recommended
Apron	K-1283	optional

## Required Electrical Service

Dedicated circuit required, protected with Class A Ground-Fault Circuit-Interrupter (GFCI):	
Pump/control	120 V., 20 A, 60 Hz

## Product Information

Fixture*:	basin area	top area	weight
Bathing well	50" x 24"	65" x 27"	110 lbs.
	water depth	capacity	
To overflow	14"	72 gal.	

\* Approximate measurements for comparison only.

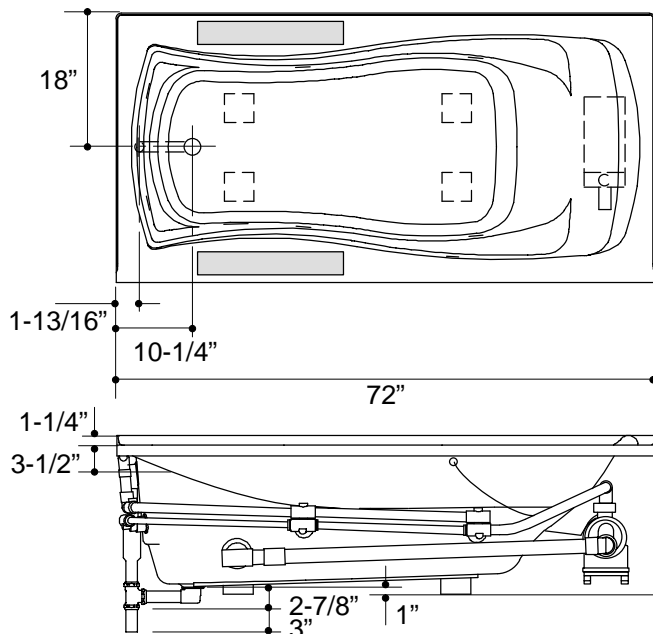
Pump	high HP	low HP	V	Hz	A
2-speed	1	1/8	120	60	16.5

## Installation Notes

Refer to installation instructions included with fixture before beginning installation.

Each pump is supplied with a grounding-type plug-in cord. Locate the outlet behind the whirlpool, and within 24" of the pump.

The apron must be installed before the finish floor and wall materials are installed.



1.25>132

## Roughing-In Notes

Fixture conforms to ANSI Standard Z124.1. All dimensions are nominal.

No change in measurements if connected with drain illustrated.

Cut-out 70" x 34"

Minimum access panel:

Pump/control 20" W x 15" H required

Faucet area recommended

PUMP/CONTROL ACCESS (IF APRON IS NOT USED)

