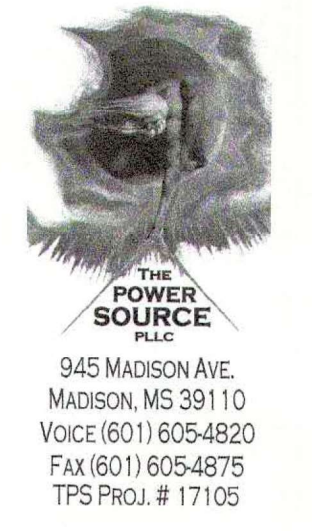
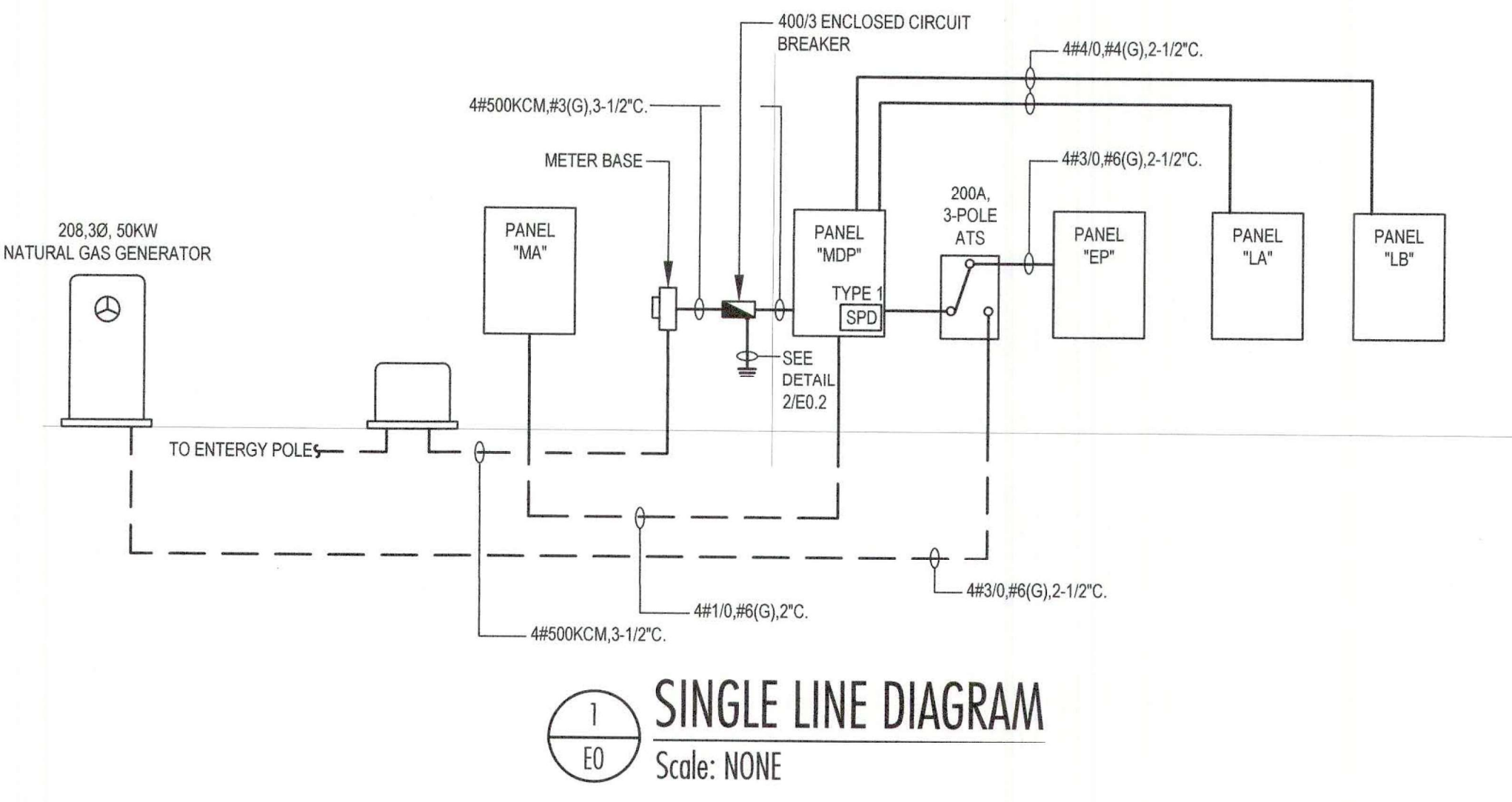


ELECTRICAL LEGEND

GENERAL NOTES	SWITCHES	CONDUIT AND WIRING																											
<p>1. ALL EQUIPMENT AND DEVICES ARE TO BE FLUSH MOUNTED UNLESS OTHERWISE NOTED.</p> <p>2. DEVICES NOTED AS "GFI" SHALL BE GROUND FAULT CIRCUIT INTERRUPTING DEVICES.</p> <p>3. DEVICES NOTED AS "WP" SHALL BE WEATHERPROOF WHILE-IN-USE.</p> <p>4. DEVICES NOTED AS "DL" SHALL BE RATED FOR DAMP LOCATION.</p> <p>5. DEVICES NOTED AS "NL" SHALL BE NIGHT LIGHTS. PROVIDE UNSWITCHED POWER TO FIXTURE.</p> <p>6. DEVICES NOTED AS "WG" SHALL BE PROVIDED AND INSTALLED WITH A WIRE GUARD.</p> <p>7. DEVICES NOTED AS "TK" SHALL BE TAMPER RESISTANT.</p> <p>8. PROVIDE UNSWITCHED POWER TO EMERGENCY BATTERY PACKS.</p>	<p>1P S SINGLE-POLE, SINGLE-THROW SWITCH. MOUNT CENTERLINE OF BOX AT 45"A.F.F. UNLESS NOTED OTHERWISE.</p> <p>2P S DOUBLE-POLE, SINGLE-THROW, 30 AMP SWITCH. MOUNT CENTERLINE OF BOX AT 45"A.F.F. UNLESS NOTED OTHERWISE.</p> <p>3 S THREE-WAY SWITCH. MOUNT CENTERLINE OF BOX AT 45"A.F.F. UNLESS NOTED OTHERWISE.</p> <p>3D LED / FLUORESCENT THREE WAY DIMMER. MOUNT CENTERLINE OF BOX AT 45"A.F.F. UNLESS NOTED OTHERWISE.</p> <p>D LED / FLUORESCENT DIMMER. MOUNT CENTERLINE OF BOX AT 45"A.F.F. UNLESS NOTED OTHERWISE.</p> <p>M S AUTOMATIC WALL SWITCH. SENSORSWITCH #WSD-PDT OR APPROVED EQUAL. MOUNT CENTERLINE OF BOX AT 45" A.F.F. UNLESS NOTED OTHERWISE.</p> <p>M D AUTOMATIC WALL SWITCH WITH INTEGRAL 0-10V DIMMER. LUTRON #MS-Z101 OR APPROVED EQUAL. MOUNT CENTERLINE OF BOX AT 45"A.F.F. UNLESS NOTED OTHERWISE.</p> <p>IR PASSIVE INFRARED AND ULTRASONIC DUAL TECHNOLOGY OCCUPANCY SENSOR WITH A 28" RADIAL COVERAGE. CEILING MOUNTED. SENSORSWITCH #CM-PDT-10 OR APPROVED EQUAL.</p> <p>PP POWER PACK MOUNTED ABOVE CEILING. SENSORSWITCH #PP20 OR APPROVED EQUAL.</p>	<p>CONDUCTORS IN CONDUIT CONCEALED WITHIN WALL OR CEILING. TIC MARKS INDICATE NUMBER OF CONDUCTORS. THE EQUIPMENT GROUNDING CONDUCTOR IS NOT SHOWN, BUT SHALL BE PROVIDED. SIZE THE EQUIPMENT GROUNDING CONDUCTOR AND THE CONDUIT PER THE NEC. THE ABSENCE OF TIC MARKS SIGNIFIES THAT TWO CONDUCTORS PLUS AN EQUIPMENT GROUNDING CONDUCTOR SHOULD BE PROVIDED. FOR EXAMPLE, THE MARKINGS TO THE LEFT SIGNIFY THAT THREE CONDUCTORS PLUS AN EQUIPMENT GROUNDING CONDUCTOR SHOULD BE PROVIDED.</p> <p>THE TEXT INSIDE THE ARC INDICATES THE AWG SIZE OF THE CONDUCTORS THAT SHALL BE RUN IN THE CONDUIT. THE ABSENCE OF TEXT SIGNIFIES THAT THE CONDUCTORS SHOULD BE #12 AWG.</p> <p>CIRCUITRY RUN IN STRAIGHT LINE SEGMENTS SIGNIFIES EXPOSED SURFACE-MOUNTED RACEWAY (SEE SPECIFICATIONS).</p> <p>CONDUCTORS IN CONDUIT CONCEALED BELOW GRADE OR FLOOR. TIC MARKS INDICATE NUMBER OF CONDUCTORS. THE EQUIPMENT GROUNDING CONDUCTOR IS NOT SHOWN, BUT SHALL BE PROVIDED. SIZE THE EQUIPMENT GROUNDING CONDUCTOR AND THE CONDUIT PER THE NEC. THE ABSENCE OF TIC MARKS SIGNIFIES THAT TWO CONDUCTORS PLUS AN EQUIPMENT GROUNDING CONDUCTOR SHOULD BE PROVIDED. THE MARKINGS TO THE LEFT SIGNIFY THAT THREE CONDUCTORS PLUS AN EQUIPMENT GROUNDING CONDUCTOR SHOULD BE PROVIDED.</p> <p>HOMERUN TO PANELBOARD. ARC DENOTES CONCEALED CIRCUITRY. TEXT DENOTES PANELBOARD NAME WITH CIRCUIT NUMBER. DEVICES HAVING CIRCUIT NUMBERS LOCATED BESIDE THEM MAY NOT SHOW THE CIRCUIT NUMBERS AT THE HOMERUN ARROWS.</p> <p>PARTIAL HOMERUN TO PANELBOARD. COMBINE ALL PARTIAL HOMERUNS THAT ARE ON THE SAME CIRCUIT IN A JUNCTION BOX PRIOR TO ENTERING THE PANELBOARD.</p> <p>LOW VOLTAGE CONDUCTORS USED FOR MOTION DETECTOR CIRCUITRY. SEE MANUFACTURER'S RECOMMENDATIONS FOR CONDUCTOR REQUIREMENTS.</p>																											
<p>LUMINAIRES (See Light Fixture Schedule)</p> <p>NOTE: THE NUMBER INSIDE THE CIRCLE IS THE CIRCUIT NUMBER. THE LETTER BESIDE THE SYMBOL IS THE FIXTURE TYPE DESCRIBED IN THE LIGHT FIXTURE SCHEDULE.</p>	<p>FIRE ALARM SYSTEM</p> <p>FI MANUAL PULL STATION. MOUNT 48"A.F.F. TO CENTERLINE OF BOX.</p> <p>SD SMOKE DETECTOR.</p> <p>TD THERMAL DETECTOR.</p> <p>DD DUCT SMOKE DETECTOR IN RETURN DUCT.</p> <p>DS DUCT SMOKE DETECTOR IN SUPPLY DUCT.</p> <p>FACP FIRE ALARM CONTROL PANEL.</p> <p>FAPB FIRE ALARM ANNUICIATOR PANEL.</p> <p>FS FLOW SWITCH.</p> <p>TS TAMPER SWITCH.</p> <p>FH FIRE ALARM HORN AND STROBE MOUNTED ON THE CEILING TO A FLUSH MOUNTED BOX.</p> <p>FS FIRE ALARM STROBE MOUNTED ON THE CEILING TO A FLUSH MOUNTED BOX.</p>	<p>VOLTAGE DROP CHART FOR 20A, 1Ø CIRCUITS</p> <table border="1"> <thead> <tr> <th>Voltage</th> <th>Circuit Length</th> <th>Conductor Size (AWG)</th> </tr> </thead> <tbody> <tr> <td>120</td> <td>< 90'</td> <td>#12</td> </tr> <tr> <td>120</td> <td>> 90'</td> <td>#10</td> </tr> <tr> <td>120</td> <td>> 145'</td> <td>#8</td> </tr> <tr> <td>120</td> <td>> 230'</td> <td>#6</td> </tr> <tr> <td>277</td> <td>< 200'</td> <td>#12</td> </tr> <tr> <td>277</td> <td>> 200'</td> <td>#10</td> </tr> <tr> <td>277</td> <td>> 325'</td> <td>#8</td> </tr> <tr> <td>277</td> <td>> 525'</td> <td>#6</td> </tr> </tbody> </table> <p>VOLTAGE DROP CHART NOTES:</p> <p>1) CIRCUIT SIZES INDICATED ON THE DRAWINGS ARE MINIMUM REQUIREMENTS. REFER TO THIS CHART FOR UPSIZING CONDUCTORS AS NEEDED.</p> <p>2) DO NOT CONNECT CONDUCTORS LARGER THAN #10 DIRECTLY TO A RECEPTACLE OR A SWITCH. PROVIDE A JUNCTION BOX TO DOWNSIZE THE CONDUCTOR TO #12 AT THE DEVICE.</p> <p>3) FOR CIRCUITS LONGER THAN THOSE LISTED ABOVE, CONSULT WITH THE ENGINEER FOR CONDUCTOR SIZES.</p>	Voltage	Circuit Length	Conductor Size (AWG)	120	< 90'	#12	120	> 90'	#10	120	> 145'	#8	120	> 230'	#6	277	< 200'	#12	277	> 200'	#10	277	> 325'	#8	277	> 525'	#6
Voltage	Circuit Length	Conductor Size (AWG)																											
120	< 90'	#12																											
120	> 90'	#10																											
120	> 145'	#8																											
120	> 230'	#6																											
277	< 200'	#12																											
277	> 200'	#10																											
277	> 325'	#8																											
277	> 525'	#6																											
<p>2'X2' RECESSED FIXTURE.</p> <p>2'X4' RECESSED FIXTURE.</p> <p>1'X4' RECESSED FIXTURE.</p> <p>2'X2' RECESSED EMERGENCY FIXTURE.</p> <p>2'X4' RECESSED EMERGENCY FIXTURE.</p> <p>1'X4' RECESSED EMERGENCY FIXTURE.</p> <p>2'X2' RECESSED FIXTURE WITH EMERGENCY AND NORMAL CIRCUITRY.</p> <p>2'X4' RECESSED FIXTURE WITH EMERGENCY AND NORMAL CIRCUITRY.</p> <p>SURFACE MOUNTED OR SUSPENDED FIXTURE.</p> <p>SURFACE MOUNTED OR SUSPENDED EMERGENCY FIXTURE.</p> <p>RECESSED CEILING FIXTURE.</p> <p>RECESSED EMERGENCY CEILING FIXTURE.</p> <p>PENDANT MOUNT FIXTURE.</p> <p>CEILING MOUNTED EXIT SIGN. PROVIDE CHEVRONS AS INDICATED BY ARROWS.</p> <p>EXIT SIGN WITH EMERGENCY LIGHTING.</p> <p>WALL MOUNTED EXIT SIGN. PROVIDE CHEVRONS AS INDICATED BY ARROWS.</p> <p>EMERGENCY LIGHTING.</p> <p>WALL MOUNTED FIXTURE.</p> <p>WALL MOUNTED LINEAR FIXTURE.</p> <p>WALL MOUNTED EMERGENCY LINEAR FIXTURE.</p> <p>SITE ARM MOUNT POLE LIGHT FIXTURE.</p> <p>SITE POLE TOP LIGHT FIXTURE.</p> <p>SURFACE MOUNTED TRACK AND TRACK LIGHTING FIXTURE.</p> <p>CEILING FAN.</p> <p>WALLWASH OR SPOT LIGHT FIXTURE.</p> <p>IN-GRADE MOUNTED FIXTURE.</p>	<p>RECEPTACLES</p> <p>1P S DUPLEX RECEPTACLE, NEMA 5-20R, MOUNTED 18" A.F.F. TO CENTERLINE OF BOX UNLESS NOTED OTHERWISE.</p> <p>2P S DOUBLE DUPLEX RECEPTACLE, NEMA 5-20R, ONE COVER PLATE, MOUNTED 18" A.F.F. TO CENTERLINE OF BOX UNLESS NOTED OTHERWISE.</p> <p>2P D DOUBLE DUPLEX RECEPTACLE, NEMA 5-20R, ONE COVER PLATE, MOUNTED WITH BOTTOM OF BOX 2" ABOVE COUNTER WITH BACKSPASH, AND 6" ABOVE COUNTER WITHOUT BACKSPASH. WHERE RECEPTACLE IS SHOWN IN AN AREA WITH NO COUNTER, MOUNT 45"A.F.F. TO CENTERLINE OF BOX.</p> <p>1P S DUPLEX RECEPTACLE, NEMA 5-20R, MOUNTED WITH BOTTOM OF BOX 2" ABOVE COUNTER WITH BACKSPASH, AND 6" ABOVE COUNTER WITHOUT BACKSPASH. WHERE RECEPTACLE IS SHOWN IN AN AREA WITH NO COUNTER, MOUNT 45"A.F.F. TO CENTERLINE OF BOX.</p> <p>1P S DUPLEX RECEPTACLE, NEMA 5-20R, FOR DRINKING FOUNTAIN FED FROM GFCI BREAKER. MOUNTED IN ACCORDANCE WITH MANUFACTURER'S ROUGH-IN REQUIREMENTS. VERIFY CONNECTION TYPE PRIOR TO BID. PROVIDE PROPER EQUIPMENT FOR CONNECTION TYPE REQUIRED.</p> <p>1P S SINGLE RECEPTACLE, NEMA 14-50R. PROVIDE 6' CORD AND MATCHING PLUG WHERE REQUIRED. MOUNTING DETERMINED BY NEC FOR TYPE OF EQUIPMENT BEING CONNECTED.</p> <p>1P S SINGLE RECEPTACLE, NEMA 6-30R, MOUNTED 18" A.F.F. TO CENTERLINE OF BOX UNLESS NOTED OTHERWISE.</p> <p>2P S DUPLEX RECEPTACLE, NEMA 5-20R, MOUNTED FLUSH IN THE CEILING UNLESS NOTED OTHERWISE.</p>	<p>COMMUNICATIONS</p> <p>1P S COMBINATION TELEPHONE/DATA OUTLET MOUNTED 18" A.F.F. TO CENTERLINE OF BOX UNLESS NOTED OTHERWISE.</p> <p>1P S COMBINATION TELEPHONE/DATA OUTLET MOUNTED WITH BOTTOM OF BOX 2" ABOVE COUNTER WITH BACKSPASH, AND 6" ABOVE COUNTER WITHOUT BACKSPASH.</p> <p>1P S TELEPHONE OUTLET MOUNTED 18" A.F.F. TO CENTERLINE OF BOX UNLESS NOTED OTHERWISE.</p> <p>1P S TELEPHONE OUTLET MOUNTED WITH BOTTOM OF BOX 2" ABOVE COUNTER WITH BACKSPASH, AND 6" ABOVE COUNTER WITHOUT BACKSPASH.</p> <p>1P S DATA OUTLET MOUNTED 18" A.F.F. TO CENTERLINE OF BOX UNLESS NOTED OTHERWISE.</p> <p>1P S DATA OUTLET MOUNTED WITH BOTTOM OF BOX 2" ABOVE COUNTER WITH BACKSPASH, AND 6" ABOVE COUNTER WITHOUT BACKSPASH.</p> <p>1P S COMBINATION TELEPHONE/DATA OUTLET MOUNTED IN A FLOOR BOX.</p> <p>1P S DUPLEX RECEPTACLE, NEMA 5-20R AND A COMBINATION TELEPHONE/DATA OUTLET MOUNTED IN A FLOOR BOX.</p> <p>1P S DOUBLE DUPLEX RECEPTACLE, NEMA 5-20R AND A COMBINATION TELEPHONE/DATA OUTLET MOUNTED IN A FLOOR BOX.</p> <p>1P S TELEVISION CABLE OUTLET MOUNTED 18" A.F.F. TO CENTERLINE OF BOX UNLESS NOTED OTHERWISE.</p> <p>1P S HDMI CONNECTION. PROVIDE A SINGLE GANG BOX WITH A 1" C. STUBBED ABOVE ACCESSIBLE CEILING.</p>																											
<p>MISCELLANEOUS</p> <p>CONTACTOR.</p> <p>PHOTOCELL.</p> <p>CEILING MOUNTED JUNCTION BOX.</p> <p>WALL MOUNTED JUNCTION BOX.</p> <p>FLEXIBLE CONNECTION TO EQUIPMENT.</p>	<p>GEAR</p> <p>FUSED DISCONNECT SWITCH. TEXT INDICATES AMPACITY/NUMBER OF POLES/ENCLOSURE TYPE; F-(RATING OF FUSES).</p> <p>NON-FUSED DISCONNECT SWITCH. TEXT INDICATES AMPACITY/NUMBER OF POLES/ENCLOSURE TYPE.</p> <p>PANELBOARD.</p> <p>LOCAL DISCONNECT PROVIDED WITH EQUIPMENT.</p> <p>LOCAL DISCONNECT PROVIDED WITH EQUIPMENT.</p>	<p>VOLTAGE DROP CHART NOTES:</p> <p>1) CIRCUIT SIZES INDICATED ON THE DRAWINGS ARE MINIMUM REQUIREMENTS. REFER TO THIS CHART FOR UPSIZING CONDUCTORS AS NEEDED.</p> <p>2) DO NOT CONNECT CONDUCTORS LARGER THAN #10 DIRECTLY TO A RECEPTACLE OR A SWITCH. PROVIDE A JUNCTION BOX TO DOWNSIZE THE CONDUCTOR TO #12 AT THE DEVICE.</p> <p>3) FOR CIRCUITS LONGER THAN THOSE LISTED ABOVE, CONSULT WITH THE ENGINEER FOR CONDUCTOR SIZES.</p>																											
<p>CCTV SYSTEM</p> <p>CEILING MOUNTED CAMERA.</p> <p>WALL MOUNTED CAMERA.</p> <p>INSIDE CORNER MOUNTED CAMERA.</p> <p>OUTSIDE CORNER MOUNTED CAMERA.</p> <p>WALL MOUNTED MONITOR.</p> <p>DESK MOUNTED MONITOR.</p>																													

LIGHTING FIXTURE SCHEDULE

TYPE	MANUFACTURER	PART NUMBER	LAMPS	MOUNTING	REMARKS
A	LITHONIA	2BLT2-40L-ADSM-MVOLT-EZ1 LP840-DGA22	LED, 39W 4,209 LUMENS	RECESSED	WITH DRYWALL GRID ADAPTER
AE	LITHONIA	2BLT2-40L-ADSM-MVOLT-EZ1 LP840-EL14L-DGA22	LED, 39W 4,209 LUMENS	RECESSED	WITH DRYWALL GRID ADAPTER AND 120V EMERGENCY BATTERY PACK.
B	LITHONIA	ZL1N-L48-SMR-3000LM-FST MVOLT-40K-80CRI-WH	LED, 25W 3,243 LUMENS	SURFACE	
BE	LITHONIA	ZL1N-L48-SMR-3000LM-FST MVOLT-40K-80CRI-E7W-WH	LED, 25W 3,243 LUMENS	SURFACE	WITH 120V EMERGENCY BATTERY PACK.
C	LITHONIA	FMVCC1-24IN-MVOLT-40K-90CRI-BN	LED - 26W 1,300 LUMENS	SURFACE	
D	LITHONIA	UCEL-36IN-40K-90CRI--WH	LED, 14.8W 1,182 LUMENS	UNDER CABINET	
F	LITHONIA	LDN6-40/10-LW6-AR-LSS-MVOLT-EZ10	LED, 12.75W 1,082 LUMENS	RECESSED	
G	LITHONIA	WL4-40L-EZ1-LP840-MSD7-EL14L	LED, 39.5W 4,124 LUMENS	WALL	WITH 120V EMERGENCY BATTERY PACK.
H1	LITHONIA	LDN6-40/15-L06AR-LSS-MVOLT-EZ10	LED - 20.5W 1,606 LUMENS	RECESSED	
H1E	LITHONIA	LDN6-40/15-L06AR-LSS-MVOLT-EZ10-EL	LED - 20.5W 1,606 LUMENS	RECESSED	WITH 120V EMERGENCY BATTERY PACK.
H2	LITHONIA	LDN6-40/15-L06AR-LSS-MVOLT-EZ10-WL	LED - 20.5W 1,606 LUMENS	RECESSED	
J	KENALL	CSEFL14-2-54-DCC-1-DV PAF-H-U	(2) 54W, TSHO	RECESSED	
JE	KENALL	CSEFL14-2-54-DCC-1-DV PAF-H-U-EL	(2) 54W, TSHO	RECESSED	WITH 120V EMERGENCY BATTERY PACK.
K	KENALL	MAUCSL-1--**-48-RS-120	(2) 28W, TS	UNDER CABINET	** COLOR BY ARCHITECT
L	LITHONIA	VTL4-48L-ADP-EZ1-LP840-DGA14	LED - 47W 4,641 LUMENS	RECESSED	1X4 RECESSED FIXTURE WITH FLANGE KIT.
LE	LITHONIA	VTL4-48L-ADP-EZ1-LP840 DGA14-EL14	LED - 47W 4,641 LUMENS	RECESSED	1X4 RECESSED FIXTURE WITH FLANGE KIT. WITH 120V EMERGENCY BATTERY PACK.
M	LITHONIA	LDN6-40/20-L06AR-LSS-MVOLT-EZ10	LED - 35W 2,143 LUMENS	RECESSED	
ME	LITHONIA	LDN6-40/20-L06AR-LSS-MVOLT-EZ10	LED - 35W 2,143 LUMENS	RECESSED	WITH EMERGENCY BATTERY PACK.
N	LITHONIA	ZL1N-L24-SMR-2500LM-FST MVOLT-40K-80CRI-WH	LED, 19W 2,315 LUMENS	SURFACE	
P	RIG-A-LITE	XP-50L-4-2L-U-50	LED - 46W LUMENS	SURFACE	
SA	LITHONIA	DSX1 LED-60C-700-40K-T4M-MVOLT-SPA-HS-DBLXD	LED - 131W 16,238 LUMENS	POLE	POLE: SSS254G
SB	LITHONIA	LDN6-40/10-L06-AR-LS-MVOLT-EZ10-EL	LED, 12.75W 1,082 LUMENS	RECESSED	
SC	LITHONIA	WST LED-P2-40K-VW-MVOLT-E7WH	LED, 25W 3,512 LUMENS	WALL	
SD	FEISS	OL5411BK-LED	LED, 14W 1,000 LUMENS	PENDANT	
X	LITHONIA	LQM-S-W-3-R-120/277-EL N	LED	UNIVERSAL	WITH 120V EMERGENCY BATTERY PACK.
Y	CIRCA LIGHTING	TOB 5011AN-NP	LED - (2)15W 1,850 LUMENS	PENDANT	FINISH - AN LIGHT BULB PART NUMBER: L15A19D2541K
Z	TECH LIGHTING	L-W-S	LED - (2)9W 850 LUMENS	SEMIRECESSED	LIGHT BULB PART NUMBER: L9A19D2541K
AA	CIRCA LIGHTING	BBL-2027BZ-L	LED - 9W 850 LUMENS	WALL	FINISH - PWT LIGHT BULB PART NUMBER: LED5E12B1130K



WIER BOERNER ALLIN ARCHITECTURE

2727 OLD CANTON RD, SUITE 200 JACKSON, MISSISSIPPI 39216

P:601.321.9107 F:601.321.9108



FOUNTAINS DOCTOR'S OFFICE

GENERAL CONTRACTOR: **PROBITY**

FOUNTAINS BLVD. MADISON, MS 39110

SEPTEMBER 29, 2017

CONSTRUCTION DOCUMENTS

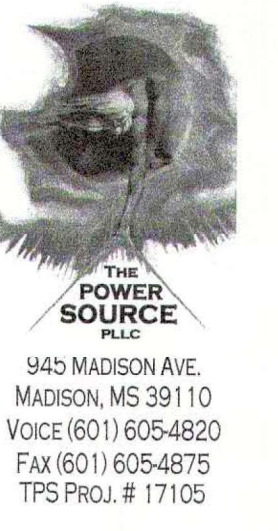
WBA #: 2217

REVISIONS

NO.	DESCRIPTION	DATE

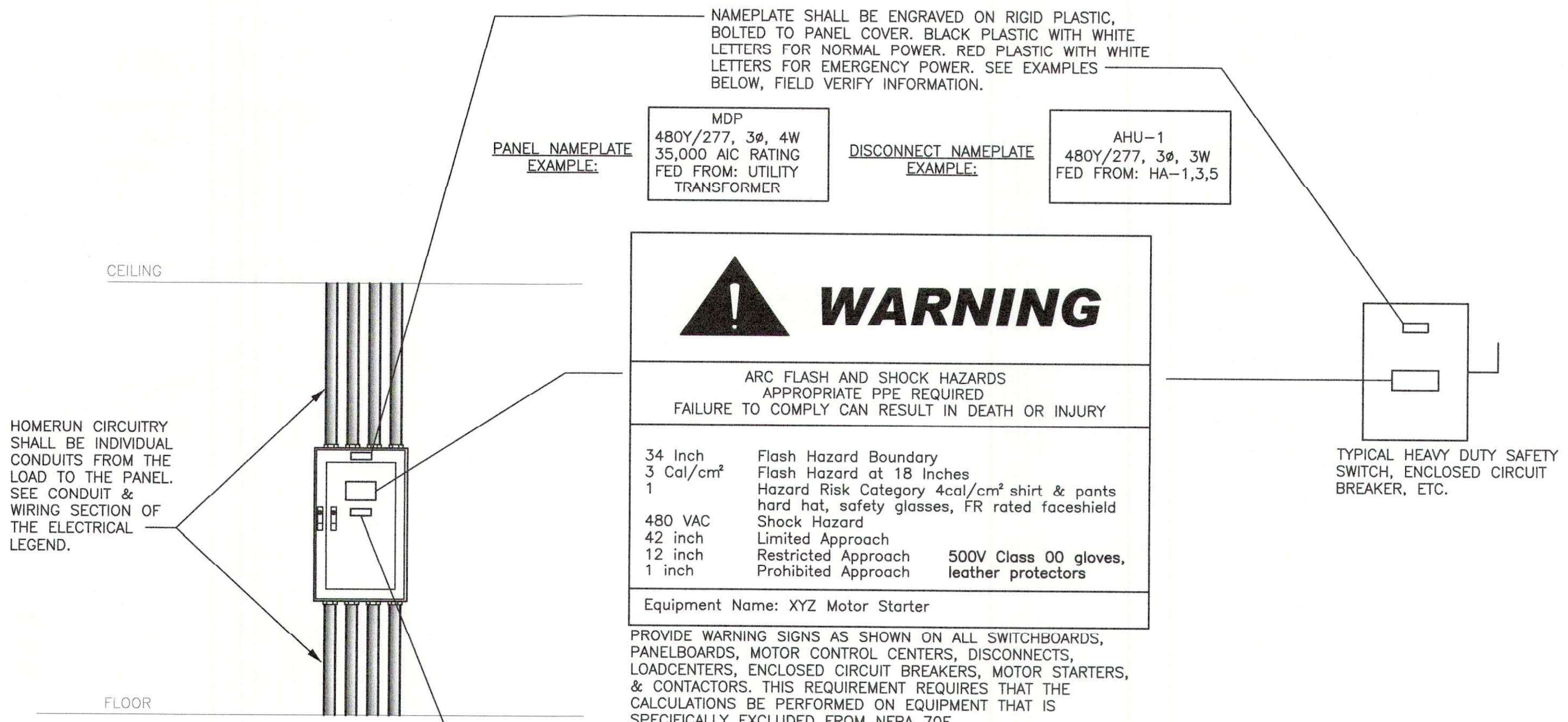
EO.0

ELECTRICAL LEGEND



FOUNTAINS DOCTOR'S OFFICE

GENERAL CONTRACTOR:
PROBITY
FOUNTAINS BLVD.
MADISON, MS 39110



NAMEPLATE SHALL BE ENGRAVED ON RIGID PLASTIC, BOLTED TO PANEL COVER. BLACK PLASTIC WITH WHITE LETTERS FOR NORMAL POWER. RED PLASTIC WITH WHITE LETTERS FOR EMERGENCY POWER. SEE EXAMPLES BELOW. FIELD VERIFY INFORMATION.

PANEL NAMEPLATE EXAMPLE:
MDP
480Y/277, 3ø, 4W
35,000 AIC RATING
FED FROM: UTILITY TRANSFORMER

DISCONNECT NAMEPLATE EXAMPLE:
AHU-1
480Y/277, 3ø, 3W
FED FROM: HA-1,3,5

WARNING

ARC FLASH AND SHOCK HAZARDS
APPROPRIATE PPE REQUIRED
FAILURE TO COMPLY CAN RESULT IN DEATH OR INJURY

34 inch	Flash Hazard Boundary
3 Cal/cm ²	Flash Hazard at 18 inches
1	Hazard Risk Category 4cal/cm ² shirt & pants hard hat, safety glasses, FR rated faceshield
480 VAC	Shock Hazard
42 inch	Limited Approach
12 inch	Restricted Approach
1 inch	Prohibited Approach
	500V Class 00 gloves, leather protectors

Equipment Name: XYZ Motor Starter

PROVIDE WARNING SIGNS AS SHOWN ON ALL SWITCHBOARDS, PANELBOARDS, MOTOR CONTROL CENTERS, DISCONNECTS, LOADCENTERS, ENCLOSED CIRCUIT BREAKERS, MOTOR STARTERS, & CONTACTORS. THIS REQUIREMENT REQUIRES THAT THE CALCULATIONS BE PERFORMED ON EQUIPMENT THAT IS SPECIFICALLY EXCLUDED FROM NFPA 70E.

THE GEAR MANUFACTURER SHALL PERFORM ALL CALCULATIONS NECESSARY TO COMPLETE WARNING SIGNS ACCURATELY.

SEE DRAWING E-001 AND SPECIFICATION 16470 FOR MORE INFORMATION.

FAULT CURRENT LABEL EXAMPLE:
MAXIMUM AVAILABLE FAULT CURRENT:
DATE: _____

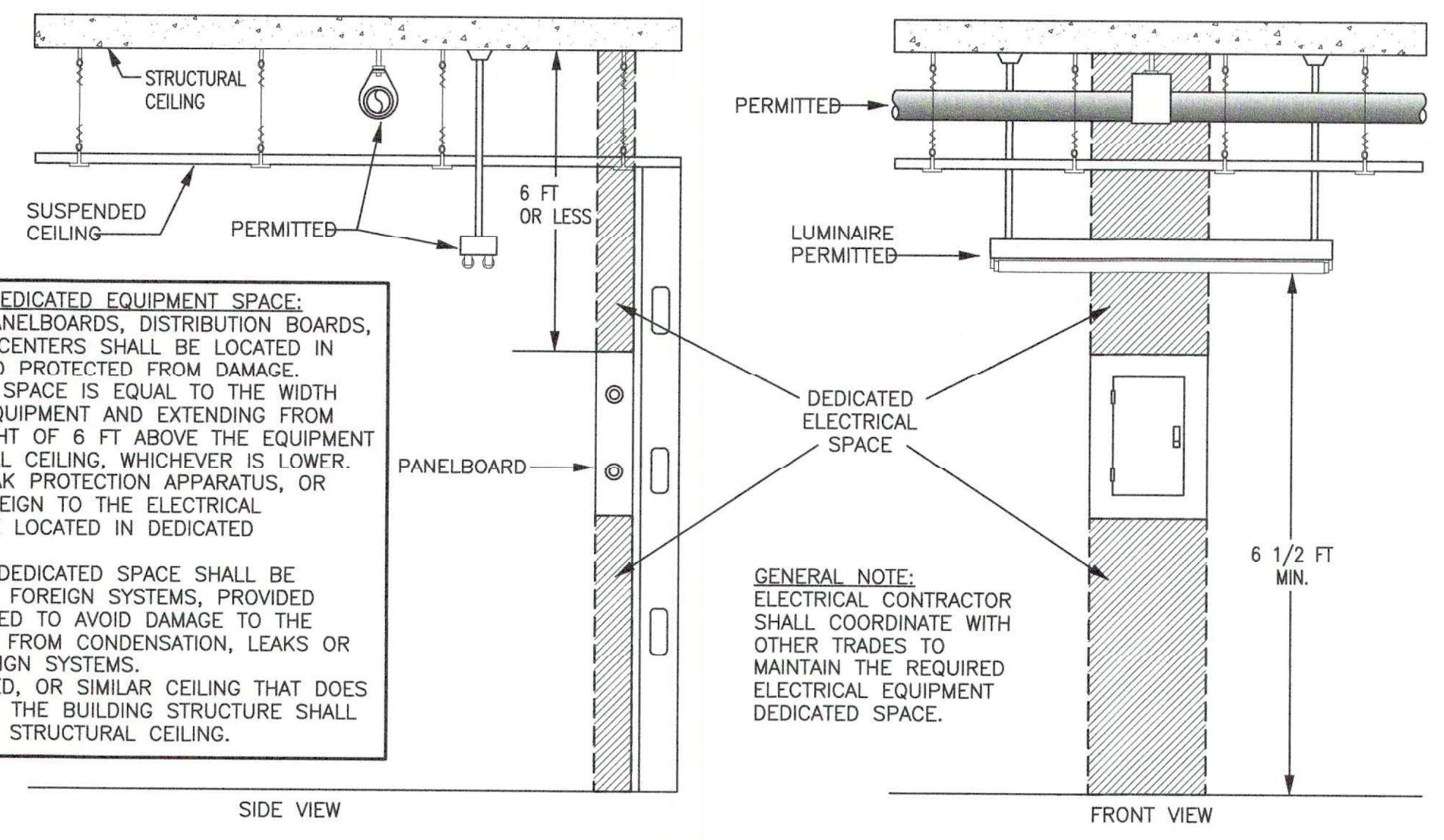
SEE NOTE 4.

1 WARNING LABEL DETAIL
E0.1 Scale: NONE

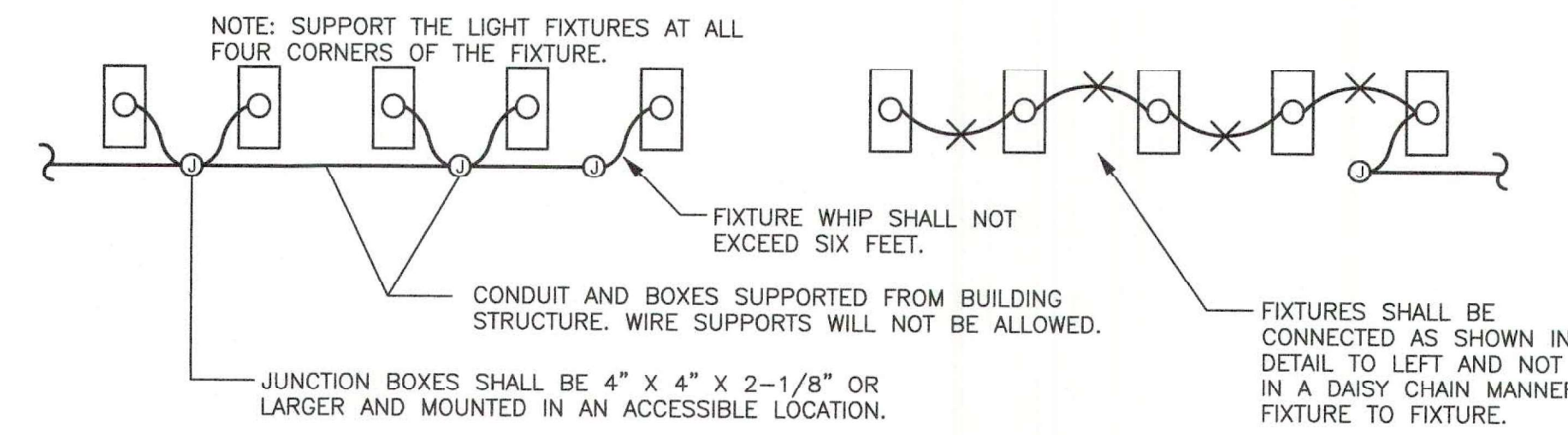
NOTES:

- HOMERUN CONDUITS SHALL BE SIZE 3/4" OR LARGER.
- CONDUITS SHALL BE LIMITED TO THREE CURRENT CARRYING CONDUCTORS.
- PROVIDE TYPEWRITTEN CIRCUIT DIRECTORIES INSIDE DOOR OF EACH PANELBOARD. EACH CIRCUIT SHALL BE DISTINGUISHED FROM ALL OTHERS.
- PROVIDE A LABEL FOR ALL SWITCHGEAR, SWITCHBOARDS, MOTOR CONTROL CENTERS, PANELBOARDS, AND OTHER SERVICE EQUIPMENT THAT LEGIBLY DISPLAYS THE MAXIMUM AVAILABLE FAULT CURRENT. THE MAXIMUM FAULT CURRENT INFORMATION SHALL BE TAKEN FROM THE ARC FLASH/PROTECTIVE DEVICE COORDINATION STUDY PERFORMED BY THE GEAR MANUFACTURER. THE LABEL SHALL INCLUDE THE DATE THAT THE FAULT CURRENT CALCULATION WAS PERFORMED AND BE OF SUFFICIENT DURABILITY TO WITHSTAND THE ENVIRONMENT OF THE EQUIPMENT.

- NEC REQUIREMENTS FOR DEDICATED EQUIPMENT SPACE:**
- ALL SWITCHBOARDS, PANELBOARDS, DISTRIBUTION BOARDS, AND MOTOR CONTROL CENTERS SHALL BE LOCATED IN DEDICATED SPACES AND PROTECTED FROM DAMAGE.
 - DEDICATED ELECTRICAL SPACE IS EQUAL TO THE WIDTH AND DEPTH OF THE EQUIPMENT AND EXTENDING FROM THE FLOOR TO A HEIGHT OF 6 FT ABOVE THE EQUIPMENT OR TO THE STRUCTURAL CEILING, WHICHEVER IS LOWER.
 - NO PIPING, DUCTS, LEAK PROTECTION APPARATUS, OR OTHER EQUIPMENT FOREIGN TO THE ELECTRICAL INSTALLATION SHALL BE LOCATED IN DEDICATED ELECTRICAL SPACE.
 - THE AREA ABOVE THE DEDICATED SPACE SHALL BE PERMITTED TO CONTAIN FOREIGN SYSTEMS, PROVIDED PROTECTION IS INSTALLED TO AVOID DAMAGE TO THE ELECTRICAL EQUIPMENT FROM CONDENSATION, LEAKS OR BREAKS IN SUCH FOREIGN SYSTEMS.
 - A DROPPED, SUSPENDED, OR SIMILAR CEILING THAT DOES NOT ADD STRENGTH TO THE BUILDING STRUCTURE SHALL NOT BE CONSIDERED A STRUCTURAL CEILING.



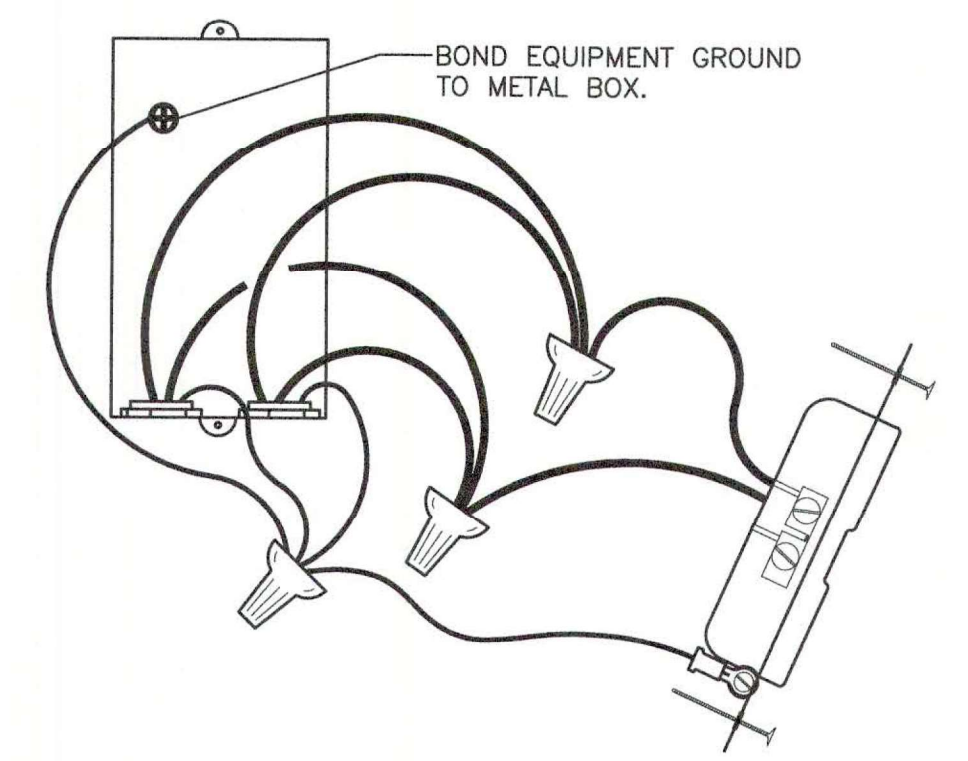
6 DEDICATED SPACE DETAIL
E0.1 Scale: NONE



2 FIXTURE CONNECTION DETAIL
E0.1 Scale: NONE

RECEPTACLE DETAIL NOTES:

- THESE DRAWINGS ARE BASED ON THE BEST INFORMATION AVAILABLE AT THE TIME OF DESIGN. COORDINATE WITH THE MILLWORK CONTRACTOR TO DETERMINE THE EXACT LOCATION OF OUTLETS BEING PLACED IN AND AROUND MILLWORK.
- RECEPTACLES SHOWN AS GFI MAY BE NON GFI TYPE RECEPTACLES IF FED FROM A 20/1 GFI BREAKER OR THE LOAD SIDE OF A GFI RECEPTACLE IN THE SAME ROOM, ON THE SAME CIRCUIT AND RATED 20 AMP FEED-THRU CAPACITY. COVER PLATES SHALL BE CLEARLY MARKED GFI.
- NON GFI RECEPTACLES SHALL NOT BE CONNECTED IN A FEED-THRU MANNER. WIRE CONNECTIONS IN RECEPTACLE BOXES SHALL BE MADE IN A PIGTAIL MANNER AS SHOWN IN RECEPTACLE DETAIL.



3 RECEPTACLE DETAIL
E0.1 Scale: NONE

NO.	DESCRIPTION	DATE

PANEL		LOCATION		ELECTRICAL ROOM 116		LUG LOCATION		BOTTOM FEED		UL LISTED FOR SERVICE ENTRANCE	
MDP		BUS:		208Y/120V, 3Ø, 4W		MAIN BUS:		MAIN LUGS ONLY		SURFACE	
		BUS:		400A		MOUNTING:				PANELBOARD AIC RATING (A): 22,000	
CIRCUIT NO.	BREAKER	AMPS	POLES	DESCRIPTION	PHASE LOAD (KVA)			DESCRIPTION	BREAKER		CIRCUIT NO.
					A	B	C		AMPS	POLES	
1	125	3		PANEL "MA"	9.7	13.4		PANEL "LA"	225	3	2
3	-	-		-			9.5	15.4		-	4
5	-	-		-				8.5	14.4		6
7	200	3		PANEL "EP"	15.7	7.1		PANEL "LB"	225	3	8
9	-	-		-			15.5	7.6		-	10
11	-	-		-				12.7	8.8		12
13	200	3		SPARE	0.0	0.0		SPARE	225	3	14
15	-	-		-			0.0	0.0		-	16
17	-	-		-				0.0	0.0		18
TOTAL					45.9	48.0		44.3			18

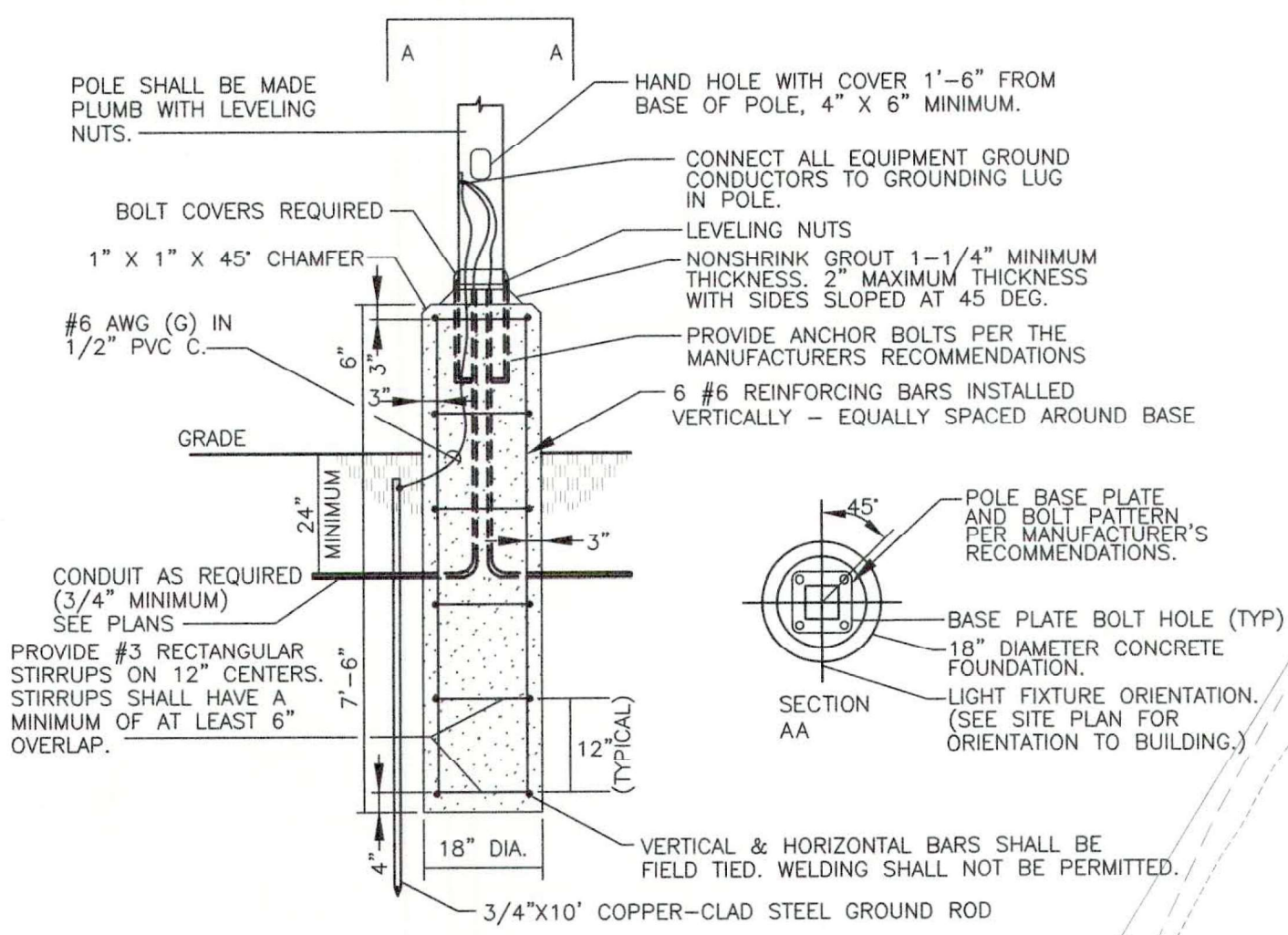
PANEL		LOCATION		ELECTRICAL ROOM 116		LUG LOCATION		BOTTOM FEED		NEMA 3R ENCLOSURE		
MA		BUS:		208Y/120V, 3Ø, 4W		MAIN BUS:		MAIN LUGS ONLY		RECESSED		
		BUS:		125A		MOUNTING:				PANELBOARD AIC RATING (A): 10,000		
CIRCUIT NO.	BREAKER	AMPS	POLES	DESCRIPTION	PHASE LOAD (KVA)			DESCRIPTION	BREAKER		CIRCUIT NO.	
					A	B	C		AMPS	POLES		
1	50	2		CU-1	2.7	2.7		CU-5	50	2	2	
3	-	-		-			2.7	2.7		-	4	
5	40	2		CU-2			2.2	2.2		40	2	6
7	-	-		-						-	8	
9	50	2		CU-3			2.7	1.5		30	3	10
11	-	-		-						-	12	
13	40	2		SPARE	0.0	0.0		SPARE	50	2	14	
15	-	-		-			0.0	0.0		-	16	
17	50	2		SPARE					40	2	18	
19	-	-		-			0.0	0.0		-	20	
21	30	2		SPARE			0.0	0.0		30	2	22
23	-	-		-						-	24	
TOTAL					9.7	9.5		0.0	0.0		24	

PANEL		LOCATION		ELECTRICAL ROOM 116		LUG LOCATION		BOTTOM FEED		PANELBOARD AIC RATING (A): 10,000		
LA		BUS:		208Y/120V, 3Ø, 4W		MAIN BUS:		MAIN LUGS ONLY		SURFACE		
		BUS:		225A		MOUNTING:						
CIRCUIT NO.	BREAKER	AMPS	POLES	DESCRIPTION	PHASE LOAD (KVA)			DESCRIPTION	BREAKER		CIRCUIT NO.	
					A	B	C		AMPS	POLES		
1	20	1		LTS. (ELEC. OFFICE, STO. DIRTY UTILITY, CONSULT)	1.1	0.2		REC. (CONFERENCE/BREAK)	20	1	2	
3	20	1		LTS. (CORR. VITALS, PHLEBOTOMY)			1.1	0.8		20	1	4
5	20	1		LTS. (WAITING, RECP. RR. OFFICE, CONSULT)				0.8	0.7		6	
7	20	1		LTS. (OFFICE CONSULT)	0.7	0.4		REC. (CONFERENCE/BREAK, COLL., PHLEB.)	20	1	8	
9	20	1		LTS. (EXAM RMS, RR.)			1.4	0.4		20	1	10
11	20	1		REC. (WAITING - COFFEE MAKER)				1.0	0.4		12	
13	20	1		REC. (ELEC. DIRTY UTILITY, CORR)	1.4	0.2		REC. (NURSE STATION)	20	1	14	
15	20	1		REC. (OFFICE)			1.1	0.2		20	1	16
17	20	1		REC. (OFFICE)				1.4	0.9		18	
19	20	1		REC. (DIRTY UTILITY)	0.5	0.7		REC. (NURSE STATION)	20	1	20	
21	20	1		REC. (CONSULT, OFFICE)			1.4	0.7		20	1	22
23	20	1		REC. (STAFF RR. FINANCIAL COUNSELING)				1.1	0.7		24	
25	20	1		REC. (RECEPTION)	1.1	0.2		REC. (EXAM 5)	20	1	26	
27	20	1		REC. (WAITING)			0.9	0.2		20	1	28
29	20	1		REC. DRINKING FOUNTAIN				0.5	0.2		30	
31	20	1		REC. DRINKING FOUNTAIN	0.5	0.2		REC. (VITALS)	20	1	32	
33	20	1		REC. (NURSING OFFICE)			0.4	0.7		20	1	34
35	20	1		REC. (NURSING OFFICE)				1.0	0.9		36	
37	20	1		REC. (NURSING OFFICE)	1.0	0.4		REC. (EXAM 1)	20	1	38	
39	20	1		REC. (NURSING OFFICE)				0.7	0.4		40	
41	20	1		REC. (NURSING OFFICE)				0.7	0.9		42	
43	20	1		REC. (CONSULT, OFFICE)	1.4	2.5		PROVISIONS FOR SPLIT SYSTEM	30	2	44	
45	20	1		REC. (OFFICE, CORR)			1.1	2.5		-	46	
47	20	1		REC. (CLEAN UTILITY)				1.1	0.0		48	
49	20	1		REC. (COLLECTION, CONF./BREAK, CORR.)	0.7	0.2		SPARE	20	1	50	
51	20	1		REC. (CONFERENCE/BREAK - DISHWASHER)			1.4	0.2		20	1	52
53	20	1		REC. (CONFERENCE/BREAK)				0.4	1.7		54	
TOTAL					13.4	15.4		14.4			54	

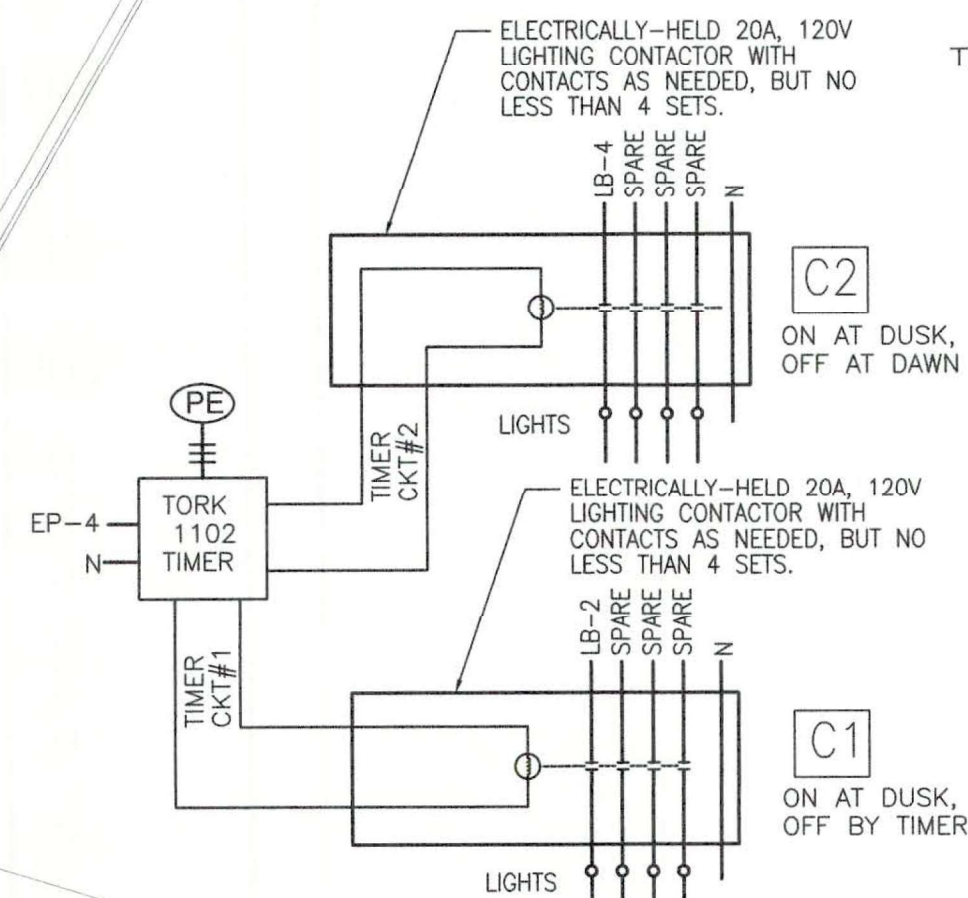
PANEL		LOCATION		ELECTRICAL ROOM 116		LUG LOCATION		BOTTOM FEED		PANELBOARD AIC RATING (A): 10,000		
LB		BUS:		208Y/120V, 3Ø, 4W		MAIN BUS:		MAIN LUGS ONLY		SURFACE		
		BUS:		225A		MOUNTING:						
CIRCUIT NO.	BREAKER	AMPS	POLES	DESCRIPTION	PHASE LOAD (KVA)			DESCRIPTION	BREAKER		CIRCUIT NO.	
					A	B	C		AMPS	POLES		
1	20	1		MECHANICAL MEZZANINE - WH-01	1.0	0.8		LTS. (PARKING LOT)	20	1	2	
3	15	1		MECHANICAL MEZZANINE - CP-01			0.5	0.1		20	1	4
5	20	1		DISPOSAL (BREAK ROOM)				1.7	0.0		6	
7	15	1		EF-07	0.7	0.0		SPARE	20	1	8	
9	20	2		EW-01			1.5	0.0		20	1	10
11	-	-		-				1.5	0.0		12	
13	20	2		DCU-01 & DSS-01	0.0	0.0		SPARE	20	1	14	
15	-	-		-			0.0	0.0		20	1	16
17	20	1		PROVISIONS FOR UV LIGHT ON AHU-01				0.1	0.0		18	
19	30	1		F/E-01	1.9	0.0		SPARE	20	1	20	
21	25	1		F/E-02			1.7	0.0		20	1	22
23	30	1		F/E-03				1.9	0.0		24	
25	20	1		F/E-04	1.2	0.0		SPARE	20	1	26	
27	30	1		F/E-05			1.9	0.0		20	1	28
29	25	1		F/E-06				1.7	0.0		30	
31	20	1		DH-01	1.0	0.0		SPARE	20	1	32	
33	20	1		DH-02			1.0	0.0		20	1	34
35	20	1		DH-03				1.0	0.0		36	
37	20	1		DH-04	0.6	0.0		SPARE	20	1	38	
39	20	1		DH-05			1.0	0.0		20	1	40
41	20	1		DH-06				1.0	0.0		42	
43	20	1		SPARE	0.0	0.0		SPARE	20	1	44	
45	20	1		SPARE			0.0	0.0		20	1	46
47	20	1		SPARE				0.0	0.0		48	
49	20	1		SPARE	0.0	0.0		SPARE	20	1	50	
51	20	1		SPARE			0.0	0.0		20	1	52
53	20	1		SPARE				0.0	0.0		54	
TOTAL					7.1	7.6		8.8			54	

PANEL		LOCATION		ELECTRICAL ROOM 116		LUG LOCATION		BOTTOM FEED		PANELBOARD AIC RATING (A): 10,000		
EP		BUS:		208Y/120V, 3Ø, 4W		MAIN BUS:		MAIN LUGS ONLY		SURFACE		
		BUS:		200A		MOUNTING:						
CIRCUIT NO.	BREAKER	AMPS	POLES	DESCRIPTION	PHASE LOAD (KVA)			DESCRIPTION	BREAKER		CIRCUIT NO.	
					A	B	C		AMPS	POLES		
1	20	1		MEDICAL GAS ALARM PANEL	0.3	0.3		FACP	20	1	2	
3	20	3		AHU-1			1.9	0.3		20	1	4
5	-	-		-				1.9	1.7		6	
7	-	-		-	1.9	1.1		LTS. (ADVANCED LAB, PROCEDURE)	20	1	8	
9	20	2		FH-01			1.5	0.1		15	1	10
11	-	-		-				1.5	0.7		12	
13	20	1		SPARE	0.0	0.0		EF-05	15	1	14	
15	20	1		SPARE				EF-06	15	1	16	
17	25	2		CU-07b				1.4	0.0		18	
19	-	-		-	1.4	0.5		PATIENT TABLE (PROCEDURE)	20	1	20	
21	20	1		SPARE			0.0	0.5		20	1	22
23	20	1		PROVISIONS FOR UV LIGHT ON AHU-01				0.5	0.5		24	
25	20	1		REC. (PRIMARY LAB)	0.4	0.5		NIKON MICROSCOPE (ADVANCED LAB)	20	1	26	
27	20	1		REC. (PRIMARY LAB)			0.4	0.5		20	1	28
29	20	1		REC. (PRIMARY LAB)				0.4	0.5		30	
31	20	1		REC. (PRIMARY LAB)	0.4	0.5		4" WORK STATION (ADVANCED LAB)	20	1	32	
33	20	1		REC. (PRIMARY LAB)			0.4	0.5		20	1	34
35	20	1		REC. FLOOR BOX (PRIMARY LAB)				0.7	0.5		36	
37	20	1		REC. (PRIMARY LAB)	0.5	0.5		MINC BENCHTOP INCUBATOR (ADVANCED LAB)	20	1	38	
39	20	1		REC. (PROCEDURE)			0.5	1.4		20	1	40
41	20	1		REC. ULTRASOUND (PROCEDURE)				0.5	1.4		42	
43	100	2		EDH-01	7.5	0.0		CU-07a	25	2	44	
45	-	-		-			7.5	0.0		-	46	
47	20	1		FIRE ALARM BELL				0.5	0.0		48	
49	20	1		SPARE	0.0	0.0		SPARE	20	1	50	
51	20	1		SPARE			0.0	0.0		20	1	52

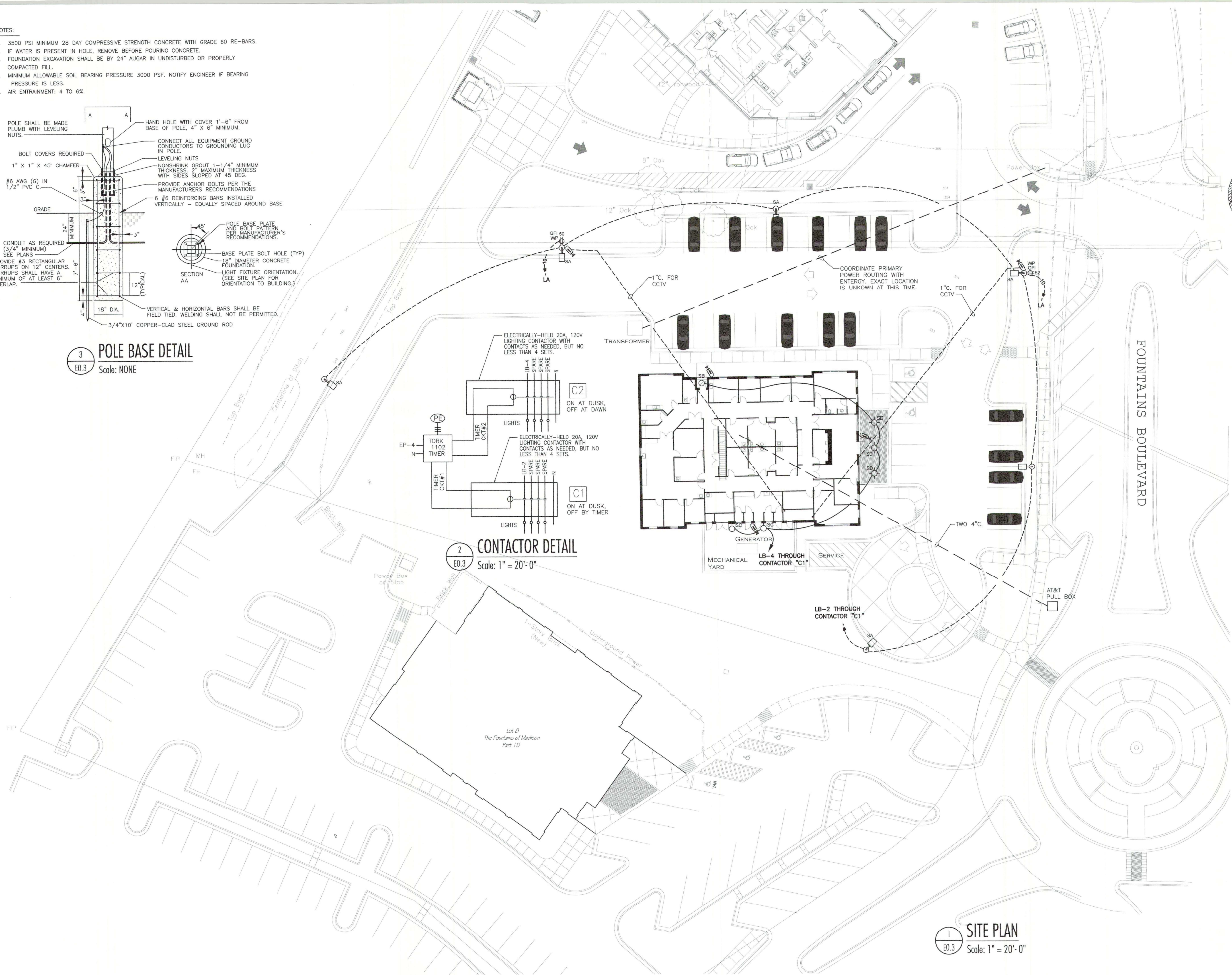
- NOTES:
- 3500 PSI MINIMUM 28 DAY COMPRESSIVE STRENGTH CONCRETE WITH GRADE 60 RE-BARS.
 - IF WATER IS PRESENT IN HOLE, REMOVE BEFORE POURING CONCRETE.
 - FOUNDATION EXCAVATION SHALL BE BY 24" AUGAR IN UNDISTURBED OR PROPERLY COMPACTED FILL.
 - MINIMUM ALLOWABLE SOIL BEARING PRESSURE 3000 PSF. NOTIFY ENGINEER IF BEARING PRESSURE IS LESS.
 - AIR ENTRAINMENT: 4 TO 6%.



3 POLE BASE DETAIL
 E0.3 Scale: NONE



2 CONTACTOR DETAIL
 E0.3 Scale: 1" = 20'-0"



1 SITE PLAN
 E0.3 Scale: 1" = 20'-0"



WIER BOERNER ALLIN ARCHITECTURE
 2727 OLD CANTON RD, SUITE 200
 JACKSON, MISSISSIPPI 39216
 P:601.321.9107 F:601.321.9108



FOUNTAINS DOCTOR'S OFFICE

GENERAL CONTRACTOR:
PROBITY
 FOUNTAINS BLVD.
 MADISON, MS 39110

SEPTEMBER 29, 2017
 CONSTRUCTION DOCUMENTS
 WBA #: 2217

REVISIONS		
NO.	DESCRIPTION	DATE

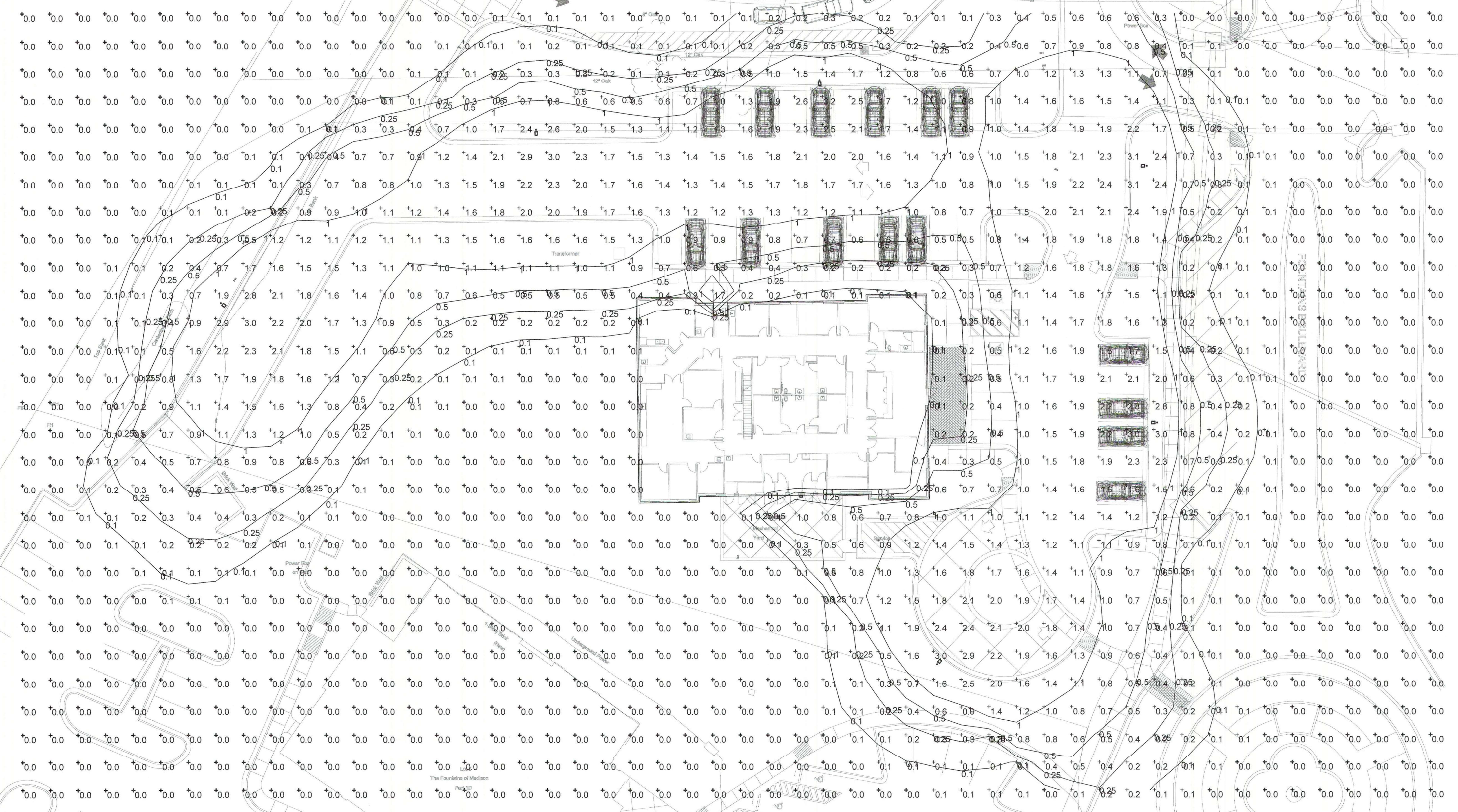
E0.3
 SITE PLAN



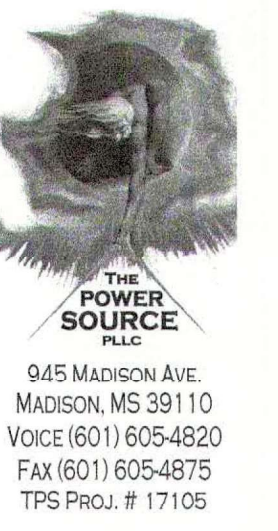
**FOUNTAINS
DOCTOR'S OFFICE**

GENERAL CONTRACTOR:
PROBITY
FOUNTAINS BLVD.
MADISON, MS 39110

EXTERIOR LUMEN SUMMARY (HALFSHELL SITE)			
SITE SIZE IN ACRES:		1.58	
TOTAL LUMENS PER ACRE:		70,000	
TOTAL LUMENS ALLOWED FOR SITE:		110,600	
FIXTURE TYPE:	NUMBER OF FIXTURES:	FIXTURE LUMENS:	TOTAL LUMENS OF FIXTURE
FIXTURE SA	6	16,238	97,428
FIXTURE SB	1	1,000	1,000
FIXTURE SC	1	3,512	3,512
FIXTURE SD	3	1,000	3,000
TOTAL LUMENS ON SITE:		101,428	



REVISIONS		
NO.	DESCRIPTION	DATE



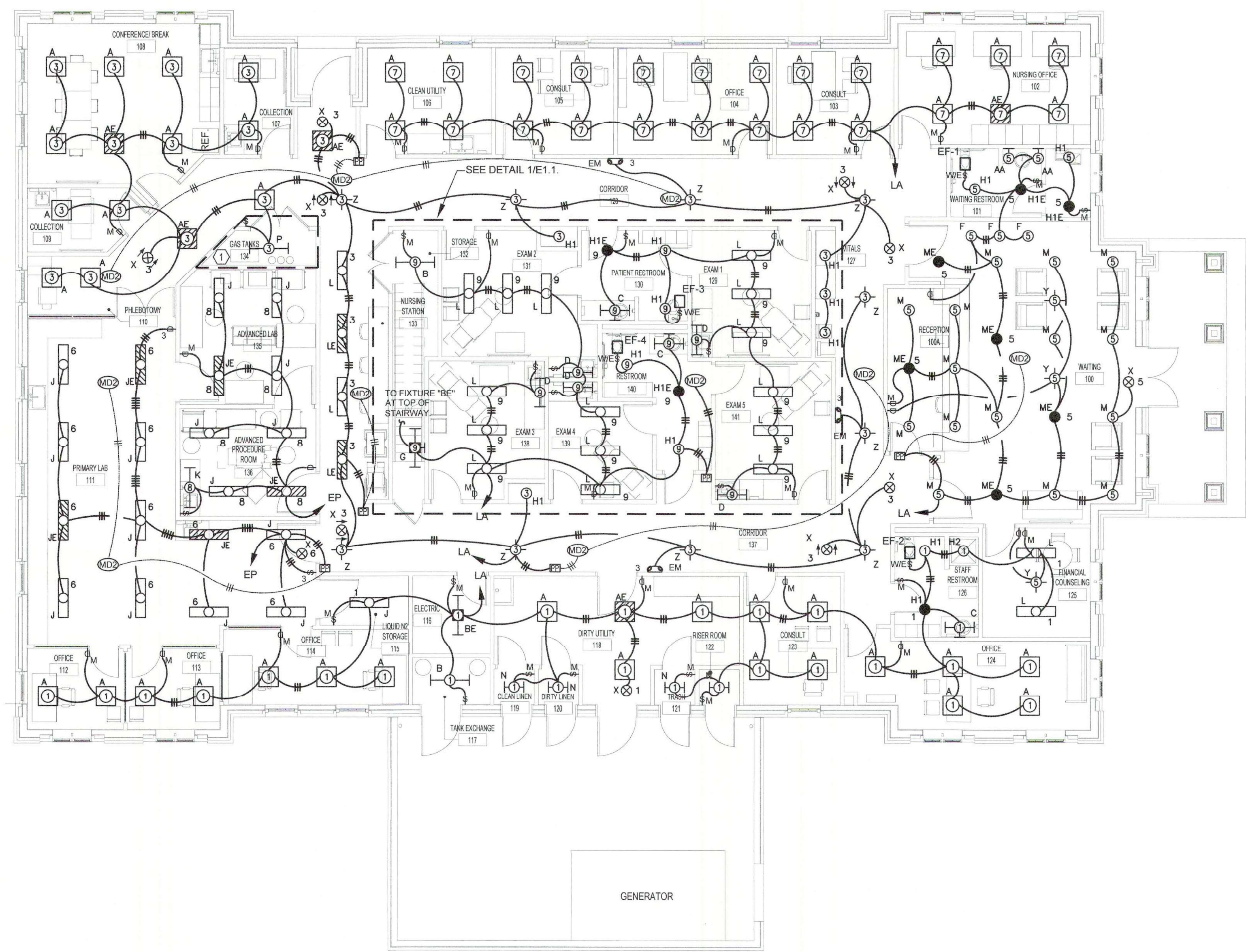
WIER BOERNER ALLIN
ARCHITECTURE
2727 OLD CANTON RD, SUITE 200
JACKSON, MISSISSIPPI 39216
P:601.321.9107 F:601.321.9108
045 MADISON AVE.
MADISON, MS 39110
VOICE (601) 605-4820
FAX (601) 605-4875
TPS PROJ. # 17106



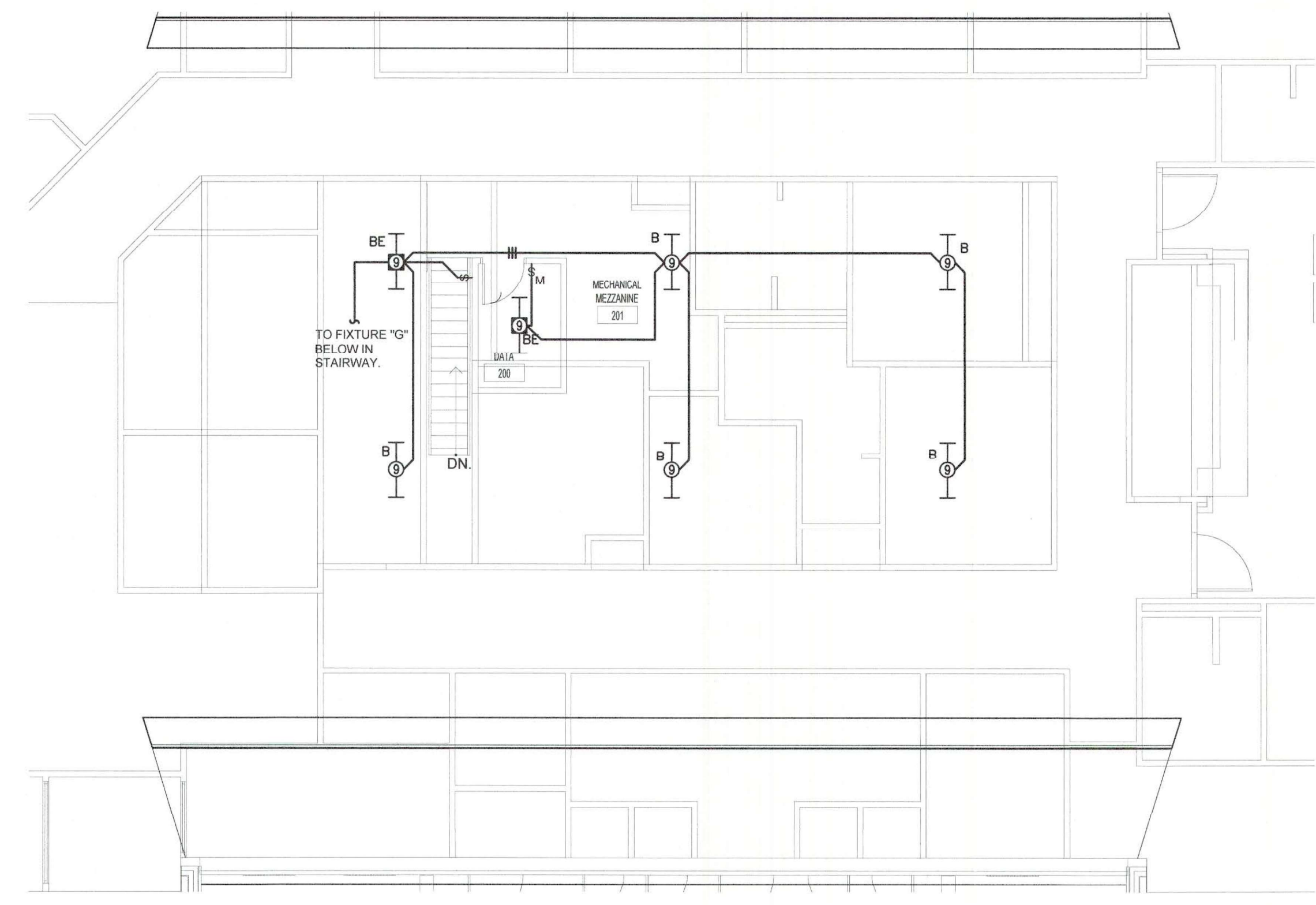
**FOUNTAINS
DOCTOR'S OFFICE**

GENERAL CONTRACTOR:
PROBITY
FOUNTAINS BLVD.
MADISON, MS 39110

Mark	Description
①	USE GRS CONDUITS AND PROVIDE EXPLOSION PROOF FITTINGS FOR ALL CONNECTIONS IN GAS TANK STORAGE 134.



① LIGHTING PLAN
E1.0 Scale: 1/8" = 1'-0"



② LIGHTING PLAN - MEZZANINE
E1.0 Scale: 1/8" = 1'-0"

SEPTEMBER 29, 2017
CONSTRUCTION DOCUMENTS
WBA #: 2217

REVISIONS		
NO.	DESCRIPTION	DATE

E1.0
LIGHTING PLAN



945 MADISON AVE.
MADISON, MS 39110
VOICE (601) 605-4820
FAX (601) 605-4875
TPS PROJ. # 17105



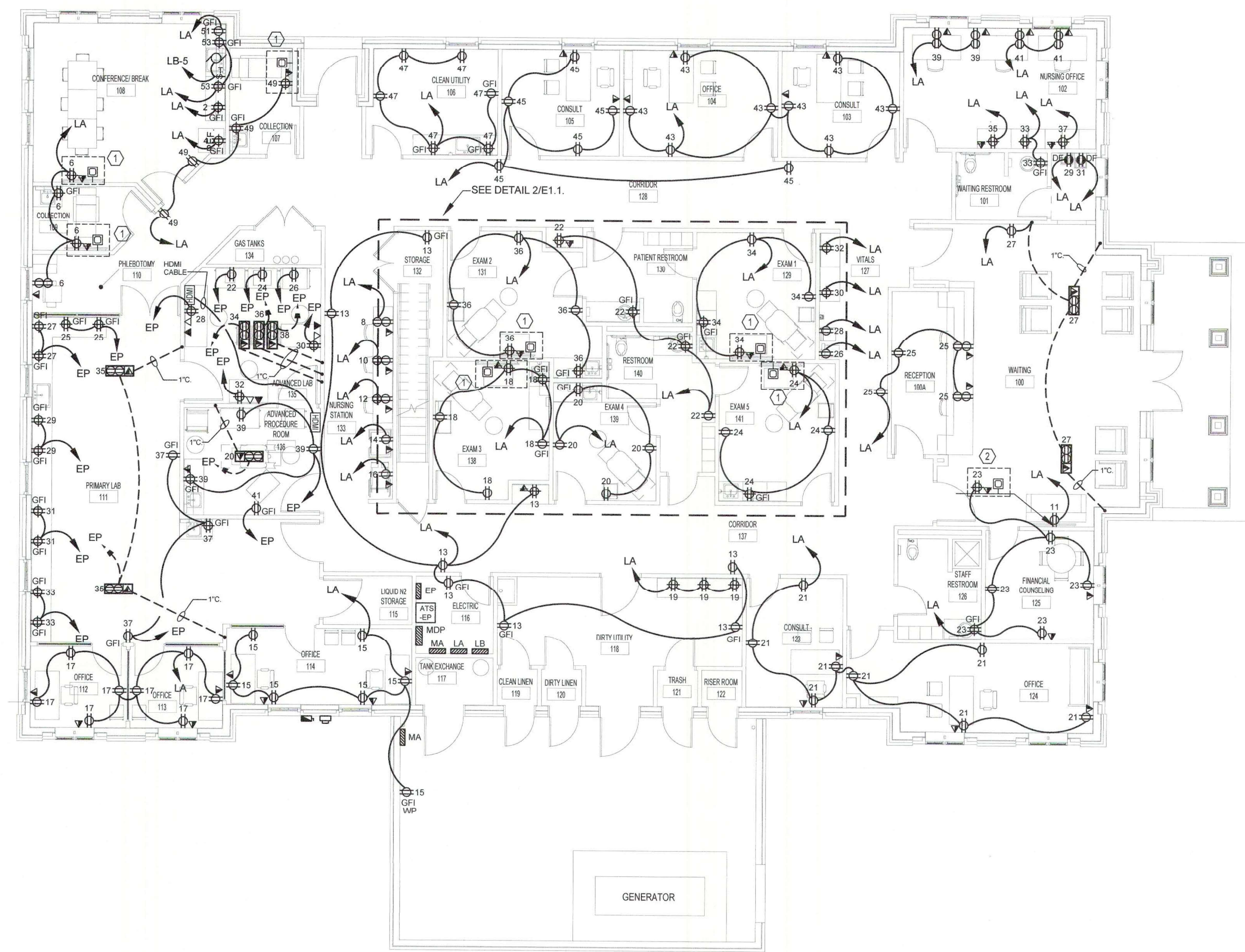
FOUNDATIONS
DOCTOR'S OFFICE

GENERAL CONTRACTOR:
PROBITY

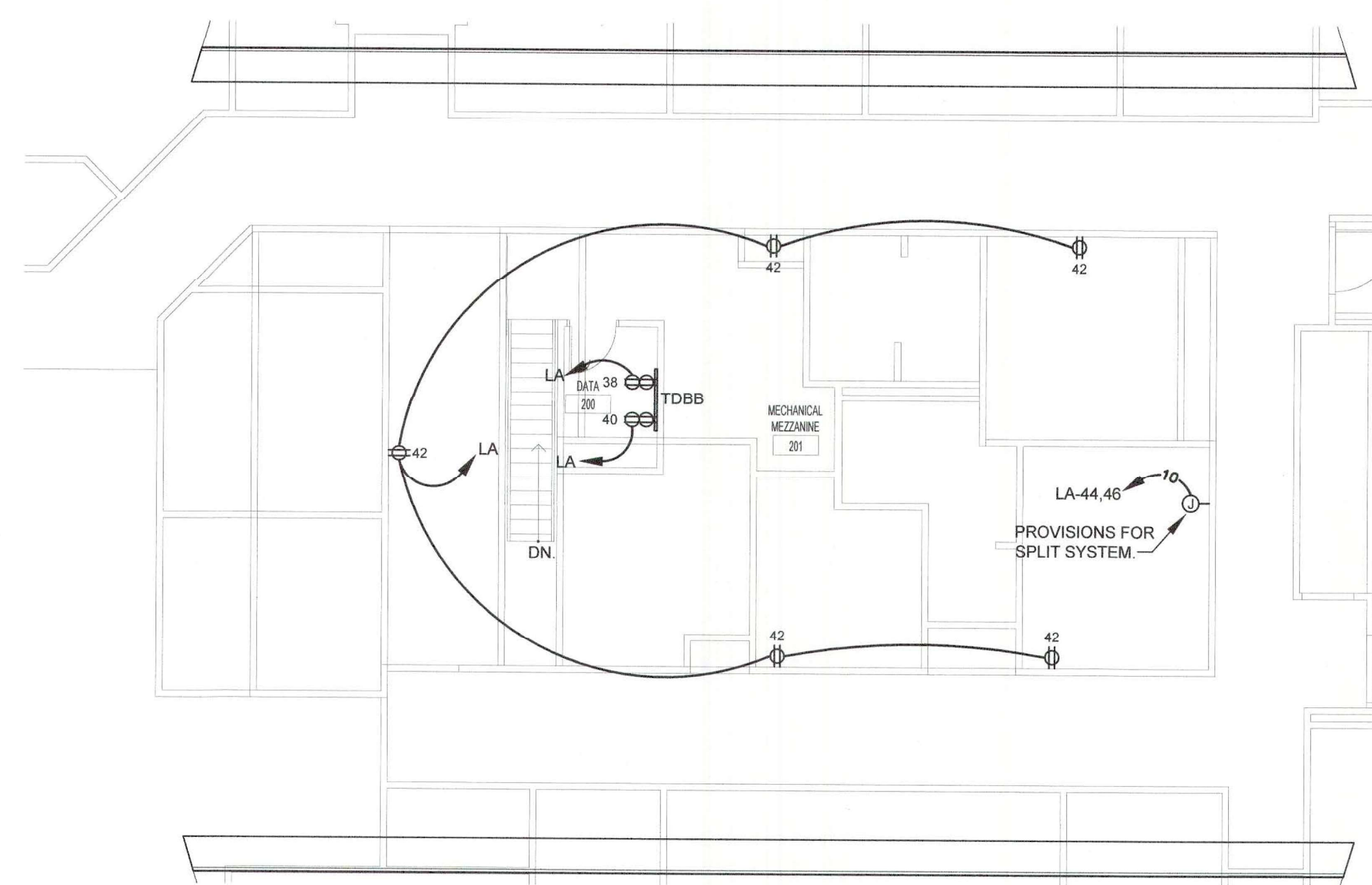
FOUNDATIONS BLVD.
MADISON, MS 39110

GENERAL NOTES	
Mark	Description
A.	INDIVIDUAL UPS FOR LAB EQUIPMENT PROVIDED BY OTHERS.

KEYED NOTES	
Mark	Description
①	VERIFY MOUNTING WITH ARCHITECT PRIOR TO ROUGH-IN.
②	MOUNT 60" A.F.F.



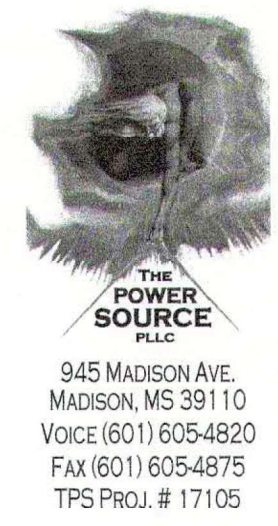
① POWER PLAN
E2.0 Scale: 1/8" = 1'-0"



② POWER PLAN - MEZZANINE
E2.0 Scale: 1/8" = 1'-0"

SEPTEMBER 29, 2017
CONSTRUCTION DOCUMENTS
WBA #: 2217

REVISIONS		
NO.	DESCRIPTION	DATE



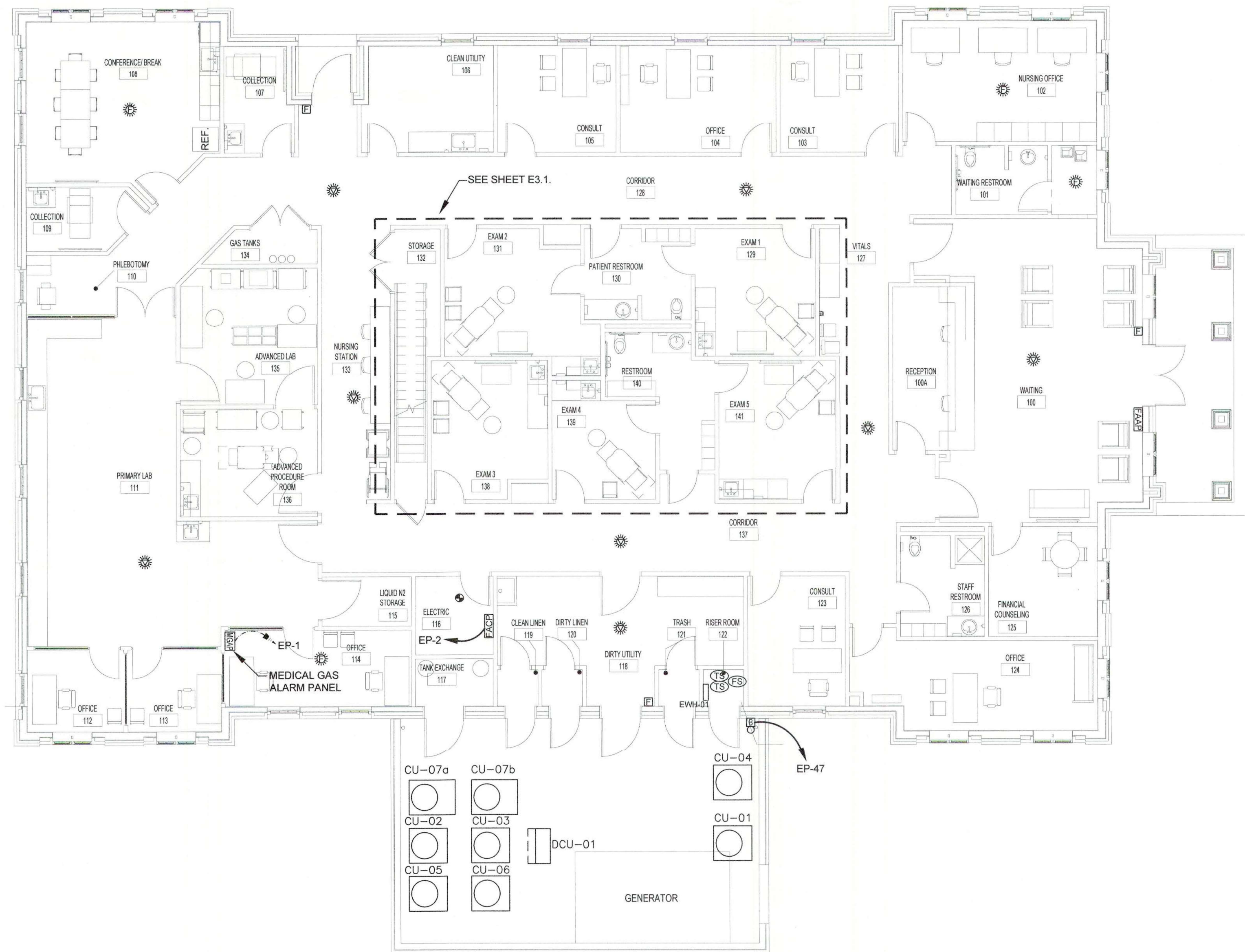
THE POWER SOURCE
PLLC
945 MADISON AVE.
MADISON, MS 39110
VOICE (601) 605-4820
FAX (601) 605-4675
TPS PROJ. # 17105



FOUNTAINS DOCTOR'S OFFICE

GENERAL CONTRACTOR:
PROBITY

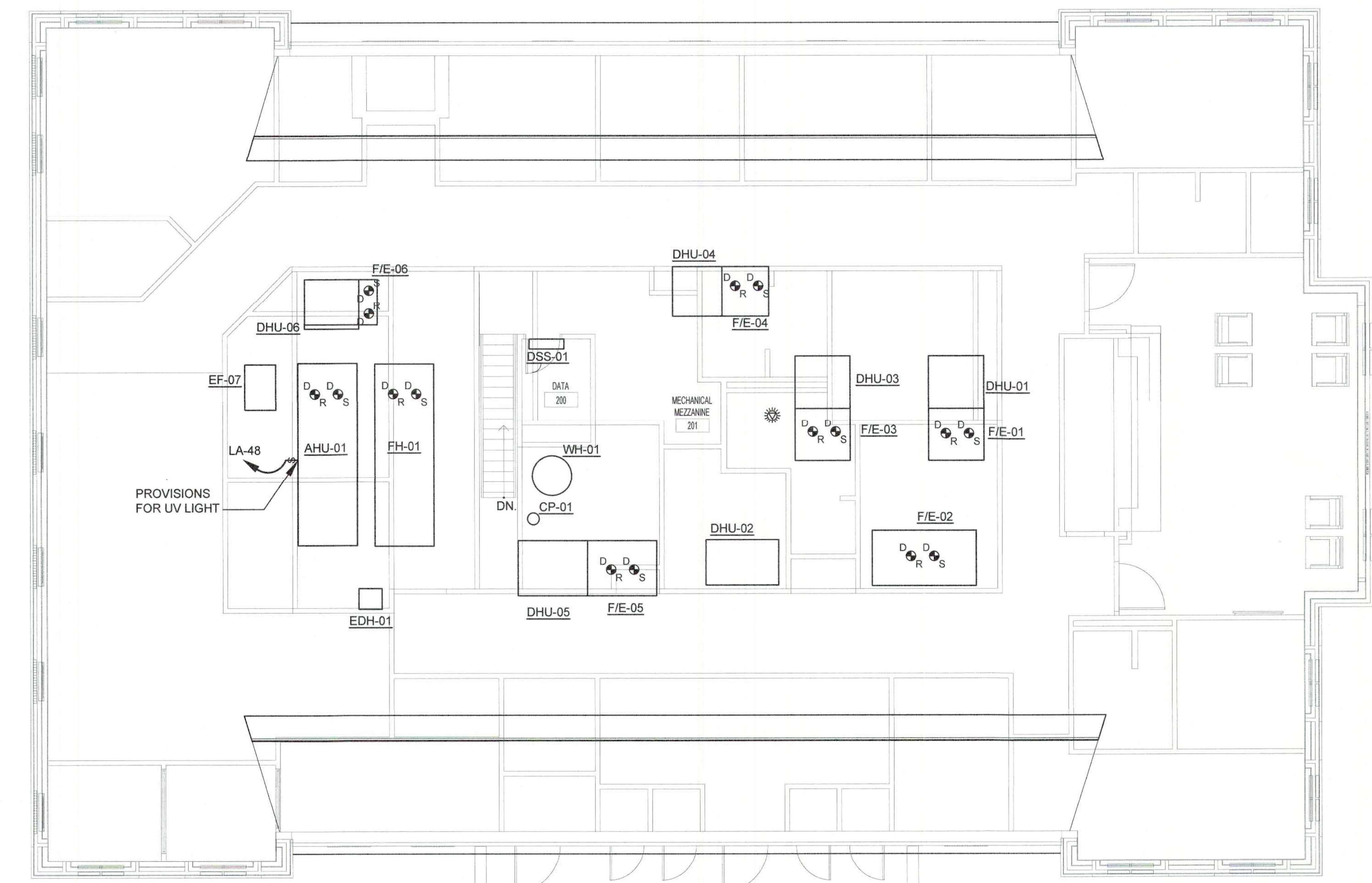
FOUNTAINS BLVD.
MADISON, MS 39110



1
MECHANICAL/AUXILIARY PLAN
E3.0 Scale: 1/8" = 1'-0"

MECHANICAL EQUIPMENT CONNECTIONS SCHEDULE					
MARK	VOLTAGE	PANEL	CIRCUITRY	LOCAL DISCONNECT	REMARKS
AHU-01	208V, 3Ø	EP	3#12, #12(G), 1/2"C.	30/3/1	
CU-01	208V, 1Ø	MA	2#6, #10(G), 3/4"C.	60/2/3R	
CU-02	208V, 1Ø	MA	2#10, #10(G), 3/4"C.	30/2/3R	
CU-03	208V, 1Ø	MA	2#6, #10(G), 3/4"C.	60/2/3R	
CU-04	208V, 1Ø	MA	2#12, #12(G), 1/2"C.	30/2/3R	
CU-05	208V, 1Ø	MA	2#6, #10(G), 3/4"C.	60/2/3R	
CU-06	208V, 1Ø	MA	2#10, #10(G), 3/4"C.	30/2/3R	
CU-07a	208V, 1Ø	EP	2#10, #10(G), 3/4"C.	30/2/3R	
CU-07b	208V, 1Ø	EP	2#10, #10(G), 3/4"C.	30/2/3R	
DCU-01	208V, 1Ø	MDP	2#12, #12(G), 1/2"C.	30/2/3R	INTERLOCKED WITH DSS-01
DSS-01	208V, 1Ø	MDP	2#12, #12(G), 1/2"C.	TWO POLE SWITCH (\$ ^{PS})	INTERLOCKED WITH DCU-01
F/E-01	120V, 1Ø	LB	2#10, #10(G), 3/4"C.	MOTOR RATED SWITCH (\$ ^S)	
F/E-02	120V, 1Ø	LB	2#10, #10(G), 3/4"C.	MOTOR RATED SWITCH (\$ ^S)	
F/E-03	120V, 1Ø	LB	2#10, #10(G), 3/4"C.	MOTOR RATED SWITCH (\$ ^S)	
F/E-04	120V, 1Ø	LB	2#12, #12(G), 1/2"C.	MOTOR RATED SWITCH (\$ ^S)	
F/E-05	120V, 1Ø	LB	2#10, #10(G), 3/4"C.	MOTOR RATED SWITCH (\$ ^S)	
F/E-06	120V, 1Ø	LB	2#10, #10(G), 3/4"C.	MOTOR RATED SWITCH (\$ ^S)	
DH-01	120V, 1Ø	LB	2#12, #12(G), 1/2"C.	NEMA 5-20R	
DH-02	120V, 1Ø	LB	2#12, #12(G), 1/2"C.	NEMA 5-20R	
DH-03	120V, 1Ø	LB	2#12, #12(G), 1/2"C.	NEMA 5-20R	
DH-04	120V, 1Ø	LB	2#12, #12(G), 1/2"C.	NEMA 5-20R	
DH-05	120V, 1Ø	LB	2#12, #12(G), 1/2"C.	NEMA 5-20R	
DH-06	120V, 1Ø	LB	2#12, #12(G), 1/2"C.	NEMA 5-20R	
EMH-01	208V, 1Ø	MA	2#12, #12(G), 1/2"C.	TWO POLE SWITCH (\$ ^{PS})	
EF-01	120V, 1Ø	LA	2#12, #12(G), 1/2"C.	PROVIDED WITH EQUIPMENT	INTERLOCKED WITH LIGHTS
EF-02	120V, 1Ø	LA	2#12, #12(G), 1/2"C.	PROVIDED WITH EQUIPMENT	INTERLOCKED WITH LIGHTS
EF-03	120V, 1Ø	LA	2#12, #12(G), 1/2"C.	PROVIDED WITH EQUIPMENT	INTERLOCKED WITH LIGHTS
EF-04	120V, 1Ø	LA	2#12, #12(G), 1/2"C.	PROVIDED WITH EQUIPMENT	INTERLOCKED WITH LIGHTS
EF-05	120V, 1Ø	EP	2#12, #12(G), 1/2"C.	PROVIDED WITH EQUIPMENT	INTERLOCKED WITH AHU-01
EF-06	120V, 1Ø	EP	2#12, #12(G), 1/2"C.	PROVIDED WITH EQUIPMENT	INTERLOCKED WITH AHU-01
EF-07	120V, 1Ø	LB	2#12, #12(G), 1/2"C.	PROVIDED WITH EQUIPMENT	INTERLOCKED WITH EMS SYSTEM
FH-01	208V, 1Ø	EP	2#12, #12(G), 1/2"C.	TWO POLE SWITCH (\$ ^{PS})	INTERLOCKED WITH EMS SYSTEM
FDH-01	208V, 1Ø	EP	2#1, #6(G), 1-1/4"C.	100/2/1	
CP-01	120V, 1Ø	LB	2#12, #12(G), 1/2"C.	30/1/1	
WH-01	120V, 1Ø	LB	2#12, #12(G), 1/2"C.	5-20R	

General Note 1: Prior to submitting electrical equipment brochures, the Contractor shall verify location, actual equipment submittal data and adjust equipment services accordingly.
Note A: Cord and Plug provided by mechanical contractor and installed by electrical contractor.



2
MECHANICAL/AUXILIARY PLAN - MEZZANINE
E3.0 Scale: 1/8" = 1'-0"

SEPTEMBER 29, 2017
CONSTRUCTION DOCUMENTS
WBA #: 2217

REVISIONS		
NO.	DESCRIPTION	DATE