

KOHLER[®] SERVICE PARTS

COMMERCIAL FITTINGS

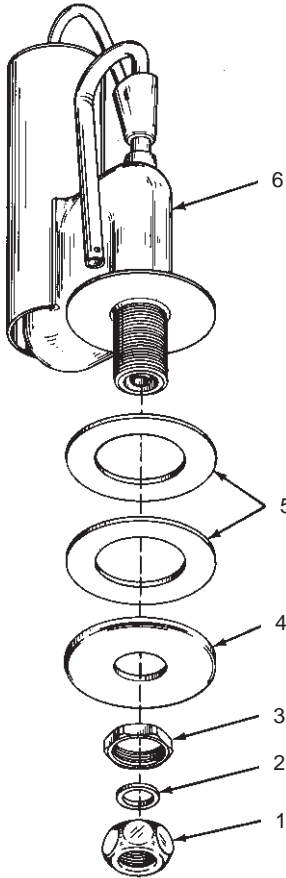
K-9320

**AUTOMATIC FLUSH VALVE
FOR K-4570-A URINAL TANK**

K-9325

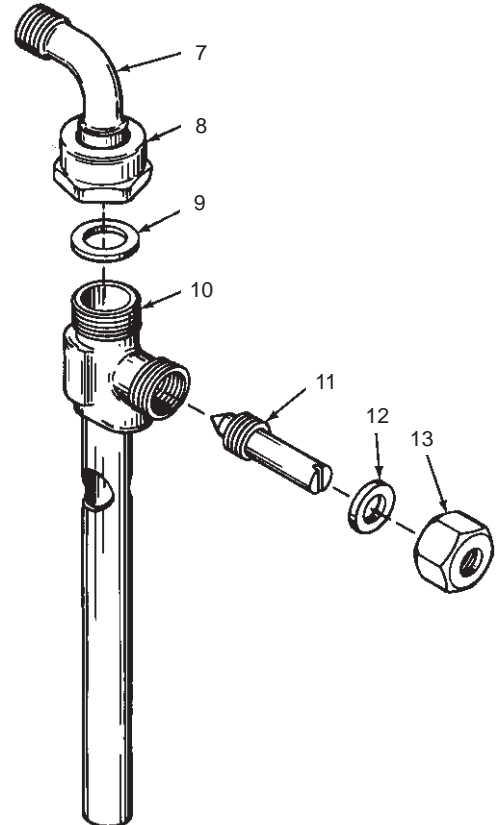
**SUPPLY VALVE
FOR K-4570-A URINAL TANK**

ORDER BY KIT NUMBER OR PART NUMBER, NOT ITEM NUMBER OR KIT LETTER.



Ordering Options

Item	Part No. or Kit
1	53014‡
2	53106
3	53127
4	53126
5	43887
6	*
7	49940
8	50832
9	50881
10	49941
11	50006
12	49938
13	49936



Kit Ordering Information

Kit	Kit Part No.	Kit Name
-----	--------------	----------

Kit Contents

KITS MAY INCLUDE EXTRA PARTS

NOTES:

* Not available as a service part.

LEGEND:

‡ Specify Finish.