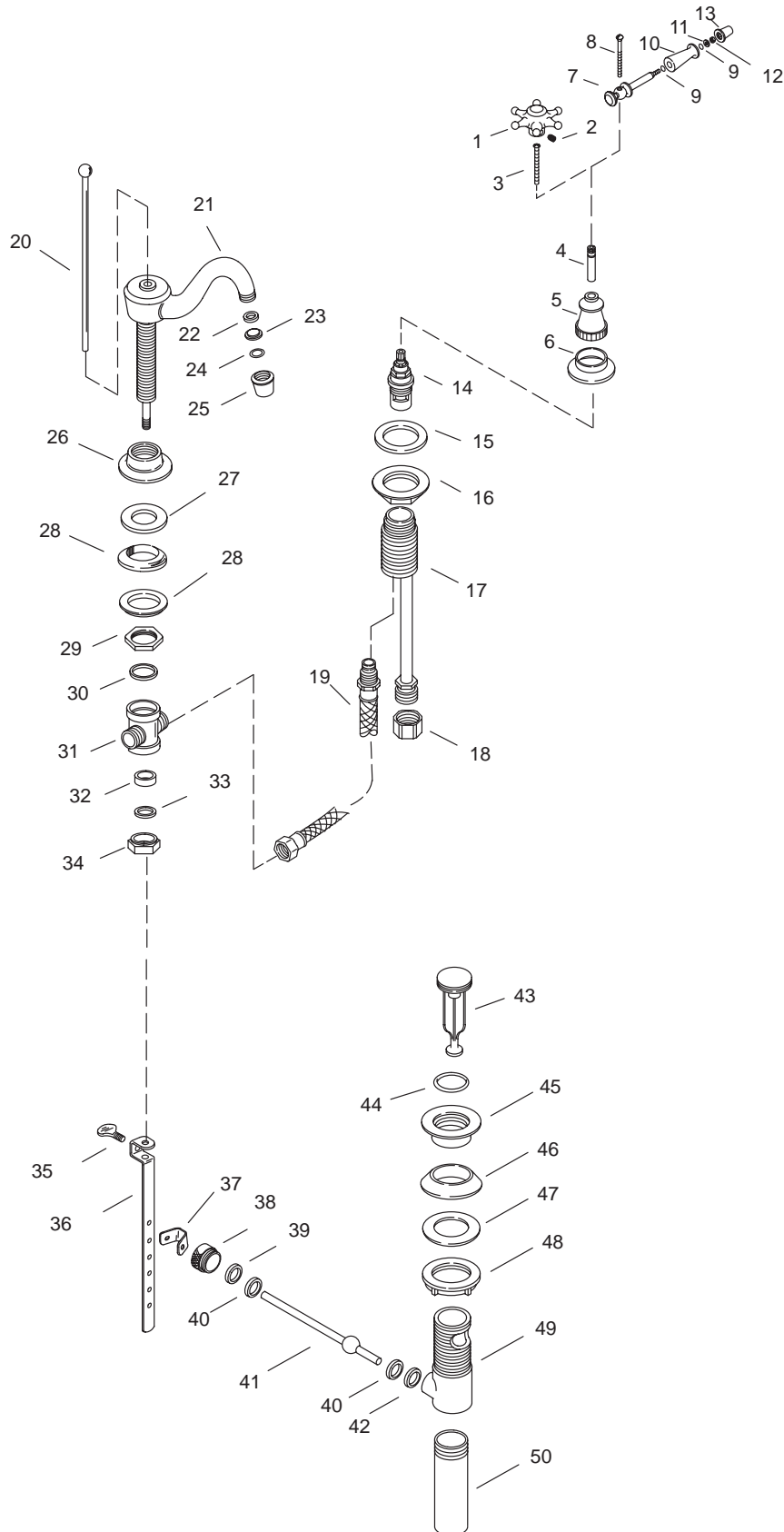


KOHLER[®] SERVICE PARTS

ANTIQUE™ WIDESPREAD LAVATORY FAUCETS
K-107-CV-**-BA, K-107-CV-**-CA,
K-108-CV-**-BA, K-108-CV-**-CA



Variation and/or finish/color code may be required when ordering.

SERVICE PARTS

ITEM	PART NO.	DESCRIPTION
1	50281	Handle Subassembly, 6 Prong Hot
	50282	Handle Subassembly, 6 Prong Cold
2	50283	Screw, .190-24 UNC-3A
3	40491	Screw, #8-32 x 1-3/4
4	58645	Extension, Stem
5	40479	Bonnet
6	58534	Escutcheon
7	21254	Handle, Antique Small
8	50285	Screw, 8-32 x 2 LG
9	51679	O-Ring
10	21256	Sleeve, Antique Small
11	21251	Washer, .172 x 7/16
12	21259	Nut, 8-32 NC-2B
13	21258	End Cap
14	30430	Valve-1/2" Ceramic (Clockwise Close)
	30431	Valve-1/2" Ceramic (Counterclockwise Close)
15	40001	Washer, 1-9/32 ID x 1-3/4 OD
16	40005	Nut, 1.25-20 UNS-2B
17	74369	End Valve Assembly
18	32751	Nut, .5-14 NPSM
19	73151	Hose, Fingertight (Includes O-Ring)
20	42264	Lift Rod Subassembly
21		Available in Service Kit Only
22	57844	Gasket, .468 ID x .640 OD
23	73086	Nozzle, Insert, 2.0 GPM
24	38857	O-Ring
25		Available in Service Kit Only
26	40032	Escutcheon
27	34037	Gasket, 1-1/2 x 2-3/16
28	33504	Washer, 29/32 Beveled
29	33505	Nut, .875-16 UNS-2B
30	33031	Washer, 21/32 x 7/8
31	40031	Cross Connection Body
32	34294	Packing
33	34295	Washer, .420 x .575
34	34309	Nut, .125-27 NPSM
35	57422	Thumb Screw
36	73382	Link
37	40228	Spring Clip
38	57403	Retainer Nut
39	38745	Washer, .531 ID x .734 OD
40	38744	Washer, .484 ID x .748 OD
41	41312	Lever Subassembly
42	34917	Washer
43		Available in Service Kit Only
44	38676	O-Ring
45	57408	Flange, Lav. Drain
46	57966	Gasket, lav. Drain
47	40238	Washer
48	40076	Locknut
49	74410	Drain Body
50	41640	Tailpiece, 4-1/4" Long

SERVICE KITS

PART NO.	ITEM	QTY.	DESCRIPTION
74305-3			Handle Kit, Antique (6-Prong)
	1	1 ea.	Handle Subassembly, 6 Prong Hot
		1 ea.	Handle Subassembly, 6 Prong Cold
	2	2 ea.	Screw, .190-24 UNC-3A
	3	2 ea.	Screw, #8-32 x 1-3/4
	4	2 ea.	Extension, Stem
	5	2 ea.	Bonnet
	6	2 ea.	Escutcheon
74267-3			Handle & Valve Assembly (6-Prong)
	1	1 ea.	Handle Subassembly, 6 Prong Hot
		1 ea.	Handle Subassembly, 6 Prong Cold
	2	2 ea.	Screw, .190-24 UNC-3A
	3	2 ea.	Screw, #8-32 x 1-3/4
	4	2 ea.	Extension, Stem
	5	2 ea.	Bonnet
	6	2 ea.	Escutcheon
	14	1 ea.	Valve-1/2" Ceramic (Clockwise Close)
		1 ea.	Valve-1/2" Ceramic (Counterclockwise Close)
	15	2 ea.	Washer, 1-9/32 ID x 1-3/4 OD
	16	2 ea.	Nut, 1.25-20 UNS-2B
	17	2 ea.	End Valve Assembly
	18	2 ea.	Nut, .5-14 NPSM
	19	2 ea.	Hose, Fingertight (Includes O-Ring)
74313			Hardware Kit
	3	2 ea.	Screw, #8-32 x 1-3/4
	4	2 ea.	Extension, Stem
74312			Hardware Kit
	4	2 ea.	Extension, Stem
	8	2 ea.	Screw, 8-32 x 2 LG
74305-4			Handle Kit, Antique (Lever)
	4	2 ea.	Extension, Stem
	5	2 ea.	Bonnet
	6	2 ea.	Escutcheon
	7	2 ea.	Handle, Antique Small
	8	2 ea.	Screw, 8-32 x 2 LG
	9	4 ea.	O-Ring
	10	2 ea.	Sleeve, Antique Small
	11	2 ea.	Washer, .172 x 7/16
	12	2 ea.	Nut, 8-32 NC-2B
	13	2 ea.	End Cap
74267-4			Handle & Valve Assembly (Lever)
	4	2 ea.	Extension, Stem
	5	2 ea.	Bonnet
	6	2 ea.	Escutcheon
	7	2 ea.	Handle, Antique Small
	8	2 ea.	Screw, 8-32 x 2 LG
	9	4 ea.	O-Ring
	10	2 ea.	Sleeve, Antique Small
	11	2 ea.	Washer, .172 x 7/16
	12	2 ea.	Nut, 8-32 NC-2B
	13	2 ea.	End Cap
	14	1 ea.	Valve-1/2" Ceramic (Clockwise Close)
		1 ea.	Valve-1/2" Ceramic (Counterclockwise Close)
	15	2 ea.	Washer, 1-9/32 ID x 1-3/4 OD
	16	2 ea.	Nut, 1.25-20 UNS-2B
	17	2 ea.	End Valve Assembly
	18	2 ea.	Nut, .5-14 NPSM
	19	2 ea.	Hose, Fingertight (Includes O-Ring)
73831			Valve Kit, Endbody
	14	1 ea.	Valve-1/2" Ceramic (Clockwise Close)
		1 ea.	Valve-1/2" Ceramic (Counterclockwise Close)
	15	2 ea.	Washer, 1-9/32 ID x 1-3/4 OD
	16	2 ea.	Nut, 1.25-20 UNS-2B
	17	2 ea.	End Valve Assembly
	18	2 ea.	Nut, .5-14 NPSM
	19	2 ea.	Hose, Fingertight (Includes O-Ring)

Variation and/or finish/color code may be required when ordering.

KOHLER® SERVICE PARTS

ANTIQUE™ WIDESPREAD LAVATORY FAUCETS K-107-CV-**-BA, K-107-CV-**-CA, K-108-CV-**-BA, K-108-CV-**-CA

SERVICE KITS

PART NO.	ITEM	QTY.	DESCRIPTION
40030			Cross Connection Assembly
	28	2 ea.	Washer, 29/32 Beveled
	29	1 ea.	Nut, .875-16 UNS-2B
	30	1 ea.	Washer, 21/32 x 7/8
	31	1 ea.	Cross Connection Body
	32	1 ea.	Packing
	33	1 ea.	Washer, .420 ID x .575 OD
74397	34	1 ea.	Nut, .125-27 NPSM
			Spout Kit
	20	1 ea.	Lift Rod Subassembly
	21	1 ea.	Spout
	22	1 ea.	Gasket, .468 ID x .640 OD
	23	1 ea.	Nozzle, Insert, 2.0 GPM
	24	1 ea.	O-Ring
	25	1 ea.	Nozzle
	26	1 ea.	Escutcheon
	27	1 ea.	Gasket, 1-1/2 x 2-3/16
	28	2 ea.	Washer, 29/32 Beveled
	29	1 ea.	Nut, .875-16 UNS-2B
	30	1 ea.	Washer, 21/32 x 7/8
	31	1 ea.	Cross Connection Body
73103	32	1 ea.	Packing
	33	1 ea.	Washer, .420 ID x .575 OD
	34	1 ea.	Nut, .125-27 NPSM
			Spout Assembly, 2.0 GPM
	21	1 ea.	Spout
73084	22	1 ea.	Gasket, .468 ID x .640 OD
	23	1 ea.	Nozzle, Insert, 2.0 GPM
	24	1 ea.	O-Ring
	25	1 ea.	Nozzle
			Nozzle Assembly

SERVICE KITS

PART NO.	ITEM	QTY.	DESCRIPTION	
58156			Drain Hardware Assembly	
	35	1 ea.	Thumb Screw	
	36	1 ea.	Link	
	37	1 ea.	Spring Clip	
	38	1 ea.	Retainer Nut	
	39	1 ea.	Washer, .531 ID x .734 OD	
	40	2 ea.	Washer, .484 ID x .748 OD	
	41	1 ea.	Lever Subassembly	
	42	1 ea.	Washer	
	73968			Drain Kit
		35	1 ea.	Thumb Screw
		36	1 ea.	Link
		37	1 ea.	Spring Clip
		38	1 ea.	Retainer Nut
39		1 ea.	Washer, .531 ID x .734 OD	
40		2 ea.	Washer, .484 ID x .748 OD	
41		1 ea.	Lever Subassembly	
42		1 ea.	Washer	
43		1 ea.	Stopper Assembly, Brass	
44		1 ea.	O-Ring	
45		1 ea.	Flange, Lav. Drain	
46		1 ea.	Gasket, Lav. Drain	
47		1 ea.	Washer	
58155	48	1 ea.	Locknut	
	49	1 ea.	Drain Body	
			Stopper Assembly, Brass	
	43	1 ea.	Stopper Assembly, Brass	
	44	1 ea.	O-Ring	
	46	1 ea.	Gasket, Lav. Drain	
	47	1 ea.	Washer	
	48	1 ea.	Locknut	
	74414			Drain Assembly, Brass
		43	1 ea.	Stopper Assembly, Brass
		44	1 ea.	O-Ring
		45	1 ea.	Flange, Lav. Drain
		46	1 ea.	Gasket, Lav. Drain
		47	1 ea.	Washer
48		1 ea.	Locknut	
49		1 ea.	Drain Body	

Variation and/or finish/color code may be required when ordering.

Variation and/or finish/color code may be required when ordering.