

Ordering Information

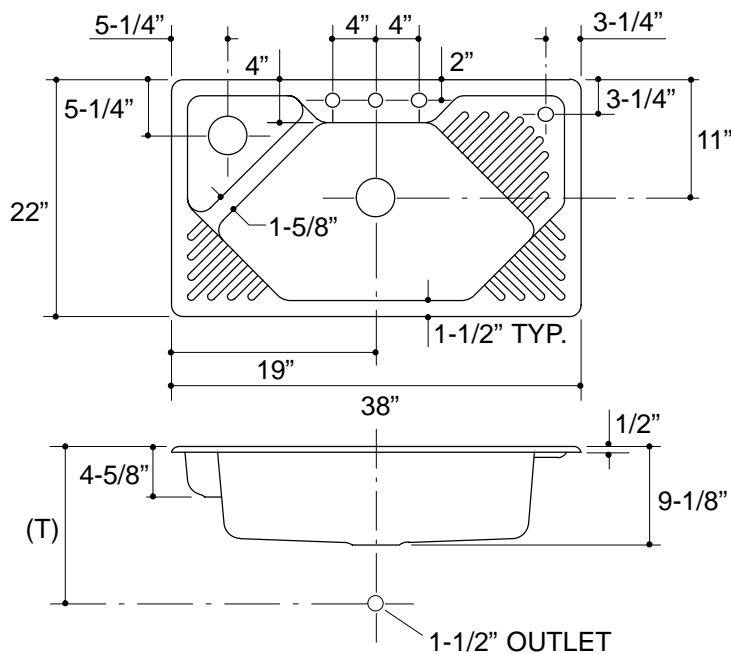
Applicable product:		
Four-hole sink	K-5886-4	shown
Accessories/hardware:		
Hardwood cutting board	K-5887	optional

Product Information

Fixture*:		basin area	water depth
Sink		29" x 17"	7-3/4"
Disposal		8" x 11"	3-1/4"
Outlets	3-5/8" D.		
Faucet holes	1-3/8" D.		
* Approximate measurements for comparison only.			

Installation Notes

Refer to installation instructions included with fixture before beginning installation.



Roughing-In Notes	
Fixture dimensions are nominal and conform to tolerances in ASME/ANSI Standard A112.19.1M.	
For disposal unit, consult supplier for roughing-in measurements.	
(T) Drain typically 14-1/2".	
Cutout	36-3/4" x 20-3/4" with 1" radius corners.

.9<116