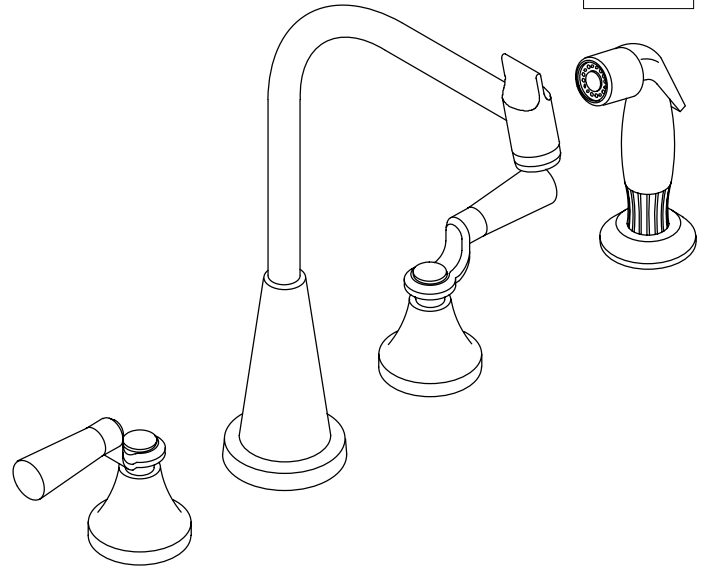


**KITCHEN SINK FAUCET
K-6273-4**

FEATURES

- Brass construction
- Flexible connections
- Brass valve bodies
- Quarter-turn washerless ceramic disc valves
- 8" Multi-Swivel™ swing spout
- 2.2 gallons per minute
- Rotating aerator
- Lever handles with clear acrylic inserts
- Black handspray

ADA



CODES/STANDARDS APPLICABLE

Specified model meets or exceeds the following:

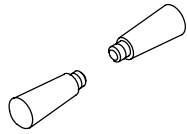
- ASME/ANSI A112.18.1M
- Energy Policy Act of 1992
- IAPMO/UPC
- NSF 61

COLORS/FINISHES

- CP Polished Chrome
- PB Polished Brass

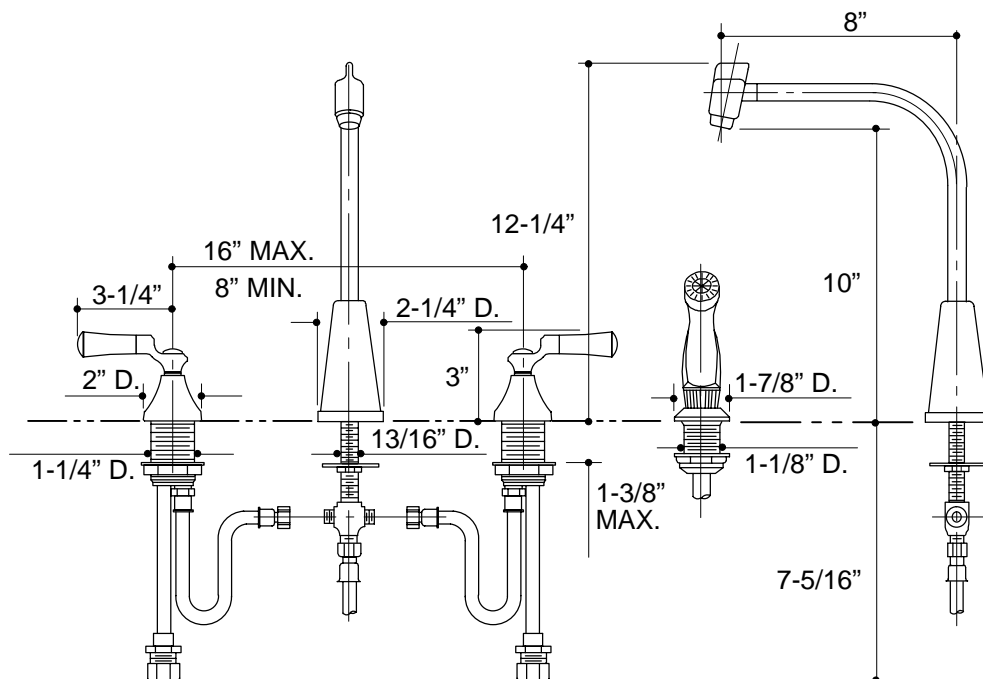
SPECIFIED MODEL:

Model	Description		
K-6273-4	Flair Kitchen Sink Faucet	<input type="checkbox"/> CP	<input type="checkbox"/> PB

Optional Accessory			
K-7266	Lever Handle Inserts, Pair	<input type="checkbox"/> CP	<input type="checkbox"/> PB <input type="checkbox"/> Other_____

PRODUCT SPECIFICATION:

Two-handle kitchen sink faucet shall be of brass construction. Faucet shall feature brass valve bodies. Faucet shall feature quarter-turn washerless ceramic disc valves, assuring positive handle stop positioning. Product shall include flexible connections, 8" Multi-Swivel swing spout, rotating aerator, lever handles with clear acrylic inserts, and black handspray. Faucet shall be Kohler Model K-6273-4-_____.



516

PRODUCT DIAGRAM