

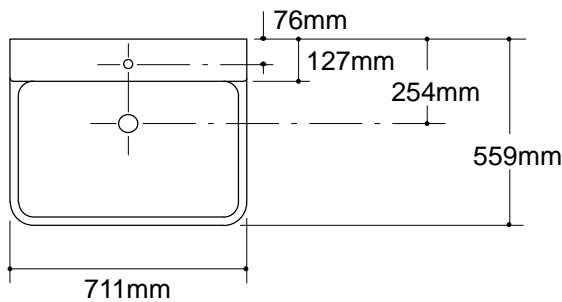
### Ordering Information

Applicable product:		
Single-hole sink	K-12793	shown
203mm centers sink	K-12794	not shown
Accessories/hardware:		
Brackets	K-1814-P	required*
Drain, Ø38mm	K-9115	optional
Drain, Ø51mm	K-9118	optional
Trap	K-9000	optional
*Recommended for configuration illustrated.		

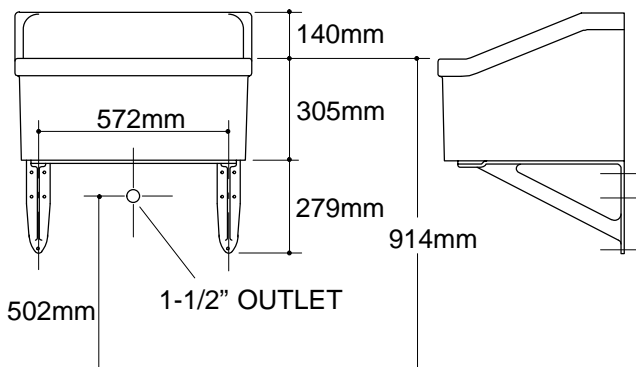
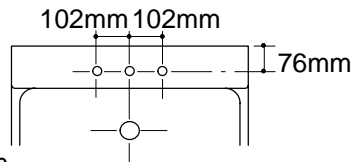
### Product Information

Fixture*:		basin area	water depth
Sink		660 x 406mm	283mm
Outlet	Ø57mm		
Faucet hole	Ø29mm		
* Approximate measurements for comparison only.			

**K-12793**



**K-12794**



#### Roughing-In Notes

Fixture dimensions are nominal and conform to tolerances in ANSI Standard A112.19.2M.

Recommended accessories/hardware are shown.

.7<116