

WALL-MOUNT LAVATORY

K-1721, K-1723, K-1729

ADA

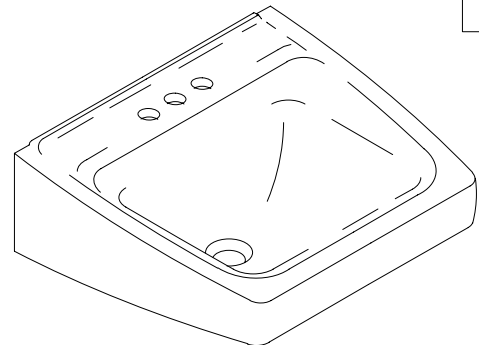
FEATURES

- 20" x 18-1/4"
- Vitreous china
- Ledge-back
- 8" centers (K-1723), 4" centers (K-1729) or single-hole (K-1721)
- With overflow
- ADA compliant
- With hanger
- Drilled for concealed arm carrier

CODES/STANDARDS APPLICABLE

Specified model meets or exceeds the following:

- ADA
- ASME/ANSI A112.19.2M
- CABO/ANSI A117.1
- IAPMO/UPC
- State of Massachusetts



COLORS/FINISHES

- 0 White
- Other Refer to Fixtures Price Book for additional colors

Accessories:

- CP Polished Chrome
- Other Refer to Faucets Price Book for additional finishes

SPECIFIED MODEL:

Model	Description	Colors/Finishes	
K-1723	8" centers lavatory	<input type="checkbox"/> 0 White	<input type="checkbox"/> Other_____
K-1729	4" centers lavatory	<input type="checkbox"/> 0 White	<input type="checkbox"/> Other_____
K-1721	Single-hole lavatory	<input type="checkbox"/> 0 White	<input type="checkbox"/> Other_____
Recommended Accessories			
K-8998	Trap	<input type="checkbox"/> CP	<input type="checkbox"/> Other_____

PRODUCT SPECIFICATION:

The lavatory shall be 20" in length, and 18-1/4" in width. Lavatory shall be made of vitreous china. Lavatory shall be ledge-back with hanger. Lavatory shall have 8" centers (K-1723), 4" centers (K-1729), or single-hole (K-1721) drilling. Lavatory shall be drilled for concealed arm carrier. Lavatory shall have overflow. Lavatory shall be ADA compliant. Lavatory shall be Kohler Model K-_____-_____-_____.

PRODUCT INFORMATION

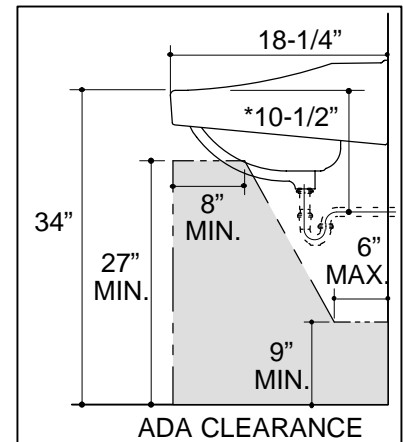
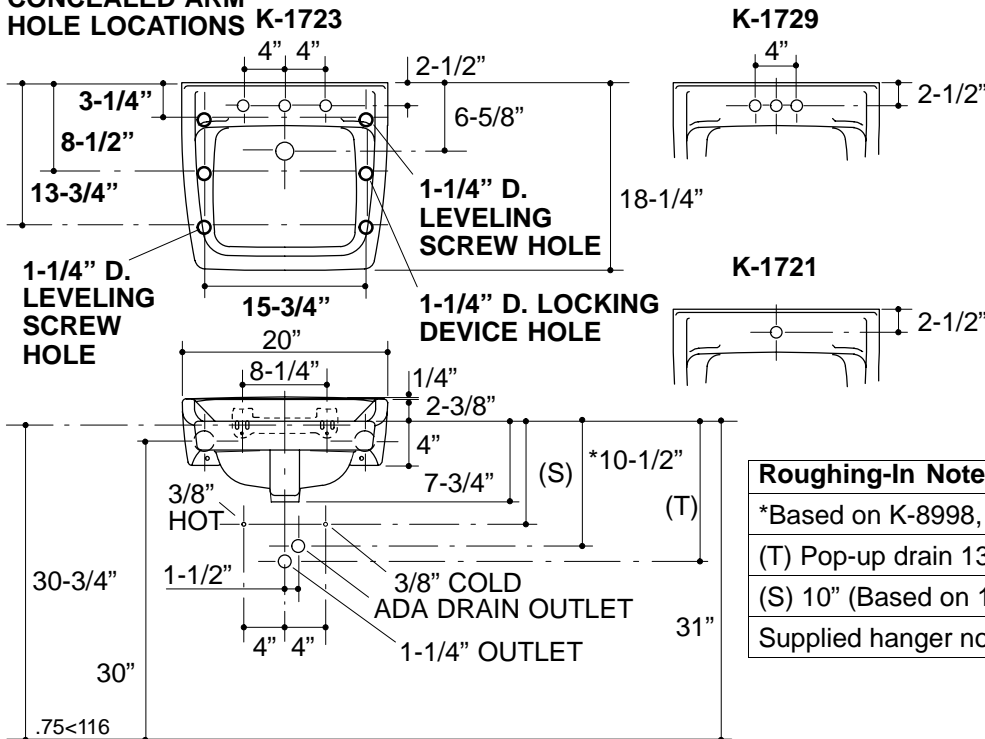
ADA compliant.			
Fixture*:		basin area	water depth
Lavatory		14" x 12"	4-7/8"
Outlet	1-3/4" D.		
* Approximate measurements for comparison only.			
Holes	K-1723	K-1729	K-1721
Spout	1-3/16" D.	1-3/16" D.	1-3/8" D.
Faucet	1-3/8" D.	1-3/16" D.	
Soap dispenser			1-1/4" D.

Included Components:	
Hanger	64839

INSTALLATION NOTES

Refer to installation instructions included with fixture before beginning installation.

CONCEALED ARM HOLE LOCATIONS



Roughing-In Notes

- *Based on K-8998, with 1" tailpiece exposed.
- (T) Pop-up drain 13-3/8", grid drain 12-1/2".
- (S) 10" (Based on 12" riser which may require cutting).
- Supplied hanger not used with concealed arm carrier.

PRODUCT DIAGRAM