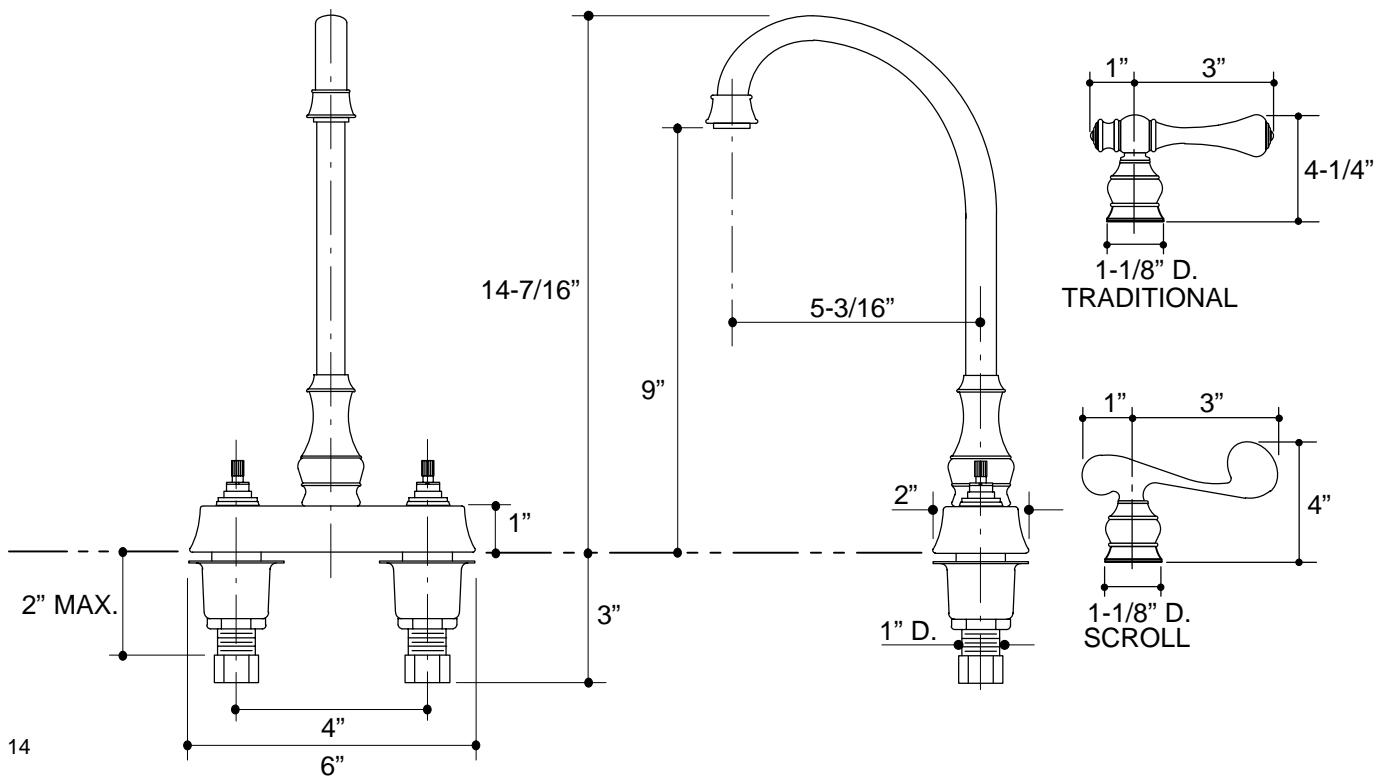


Ordering Information

Applicable faucet:	
With scroll handle	K-16112-4
With traditional handle	K-16112-4A
ADA Traditional and scroll lever handles are ADA compliant	



K-16112 Revival™ Bar Sink Faucet
113286-1-CA (9619)

NOTES: