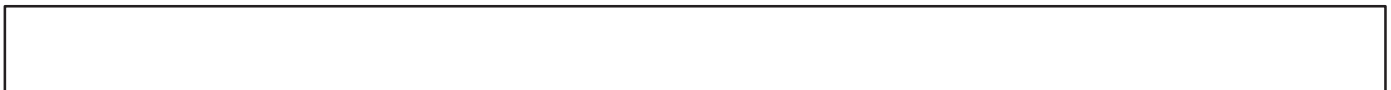


KOHLER®



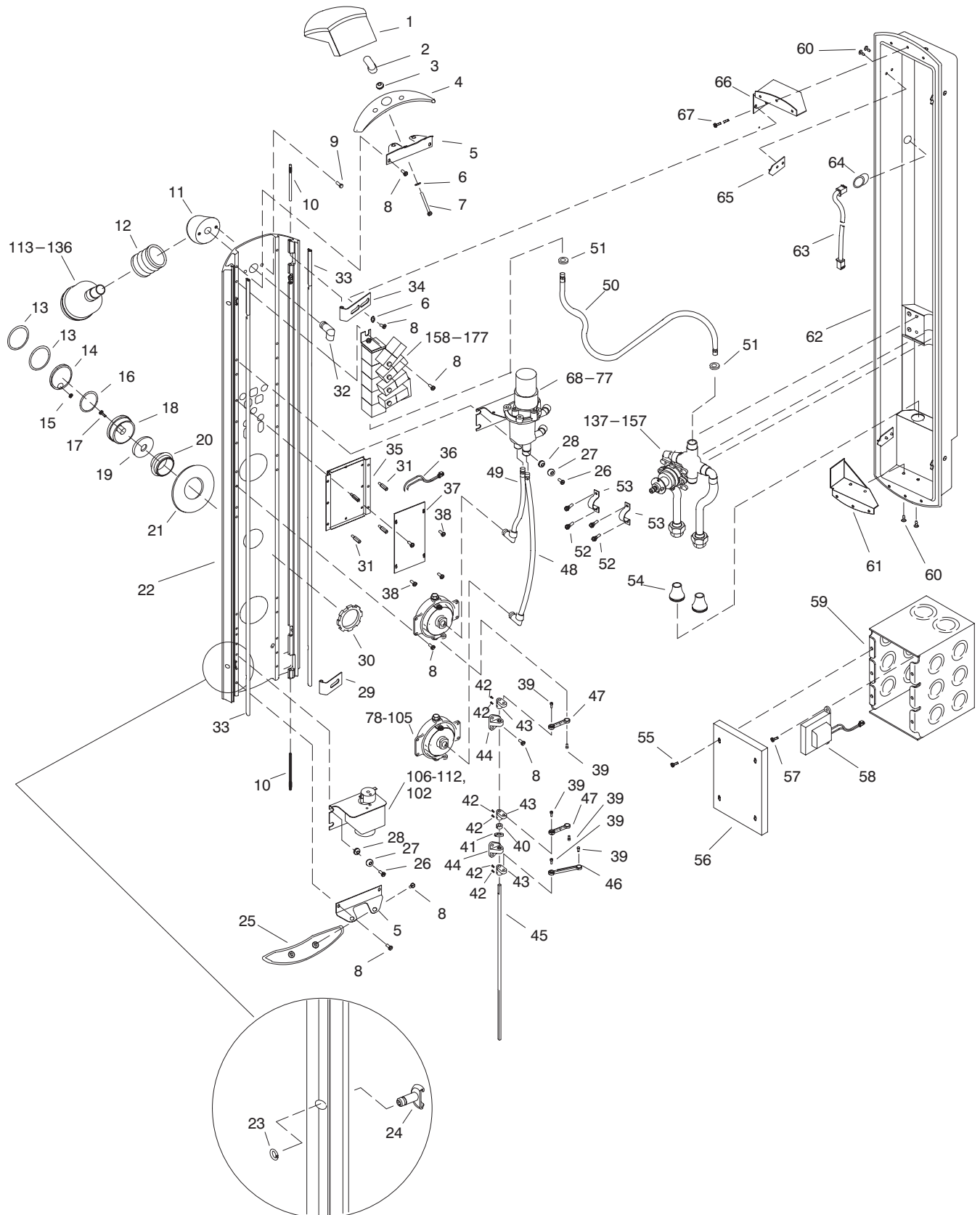
Mastershower™ tower
K-74-BA

SERVICE PARTS

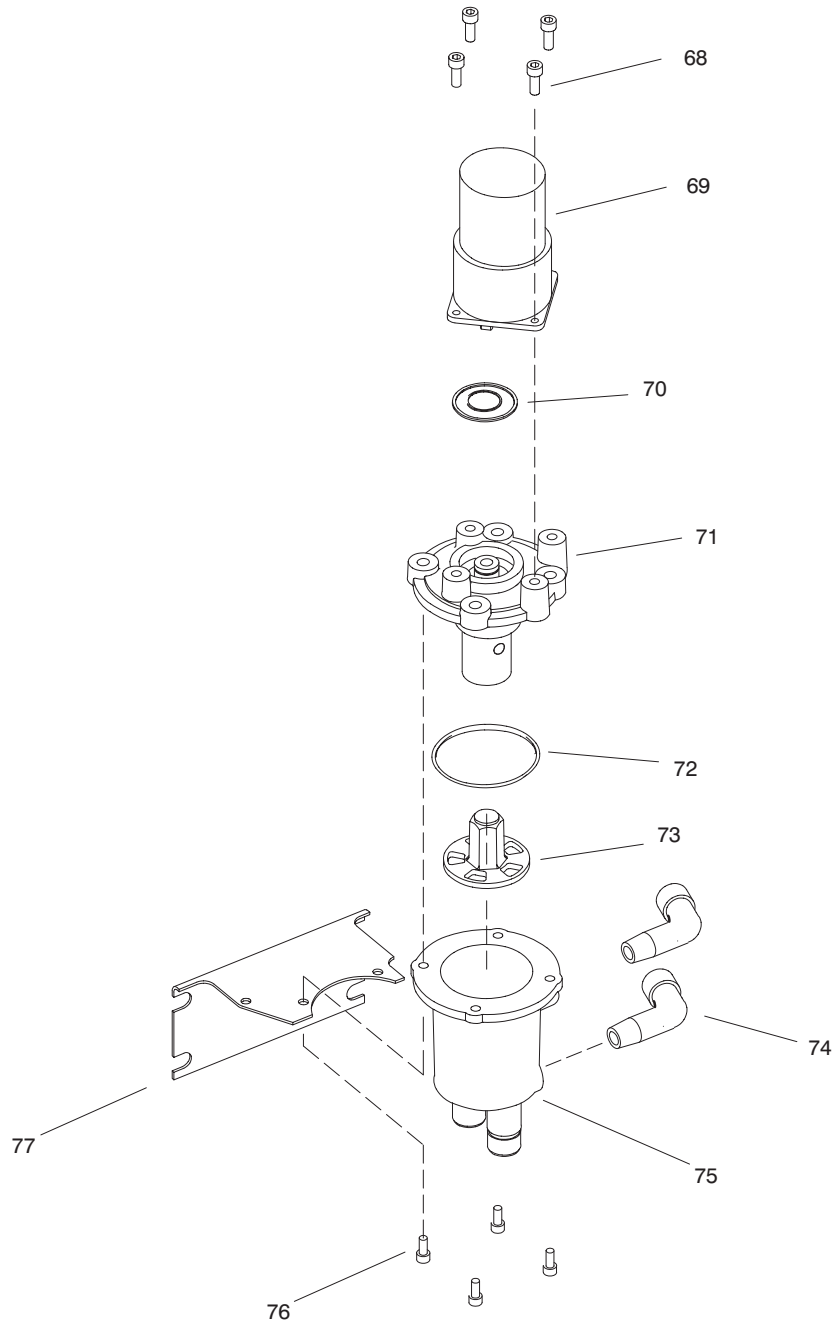


KOHLER® SERVICE PARTS

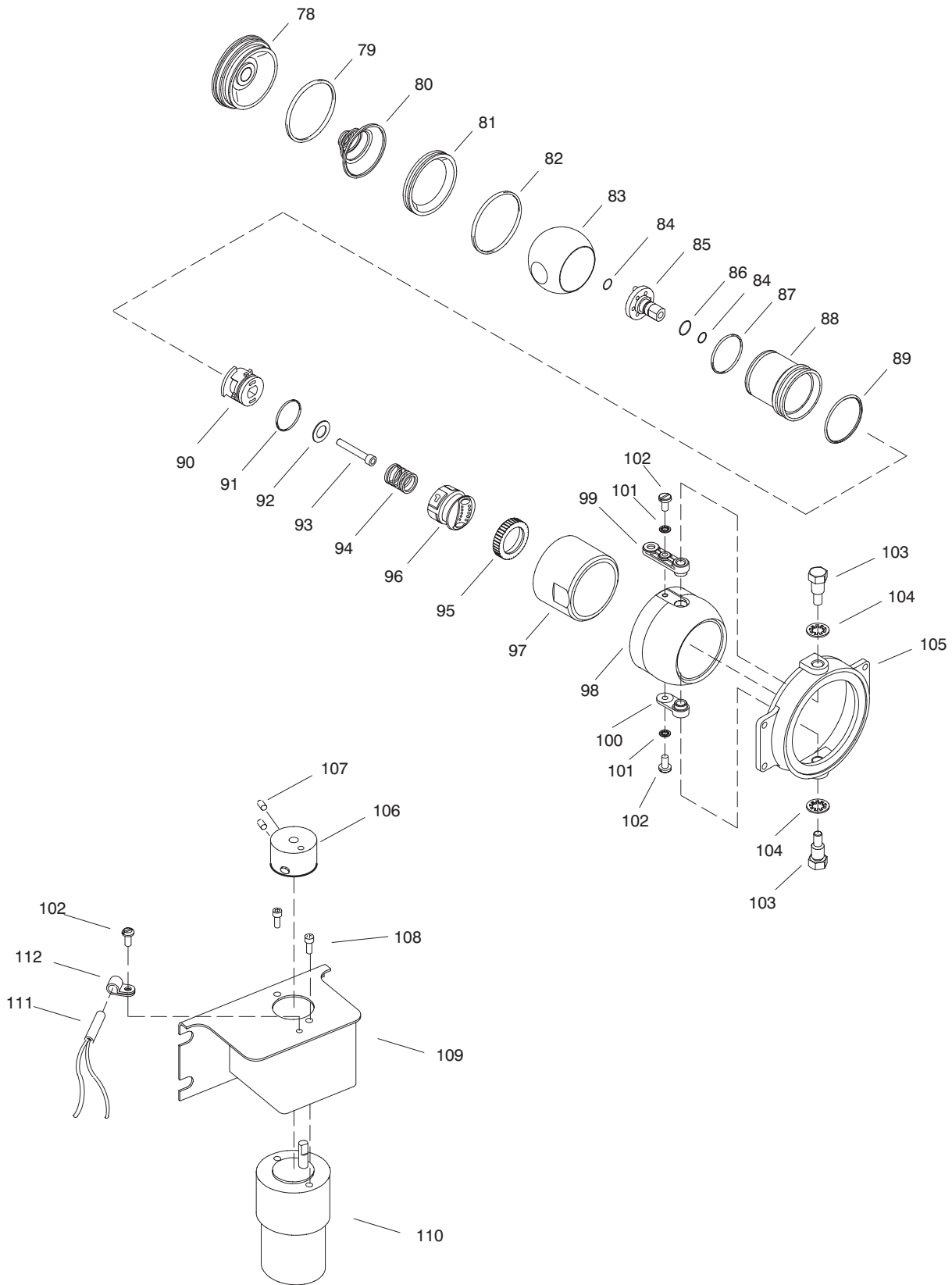
MasterShower™ tower shower
K-74-**-BA



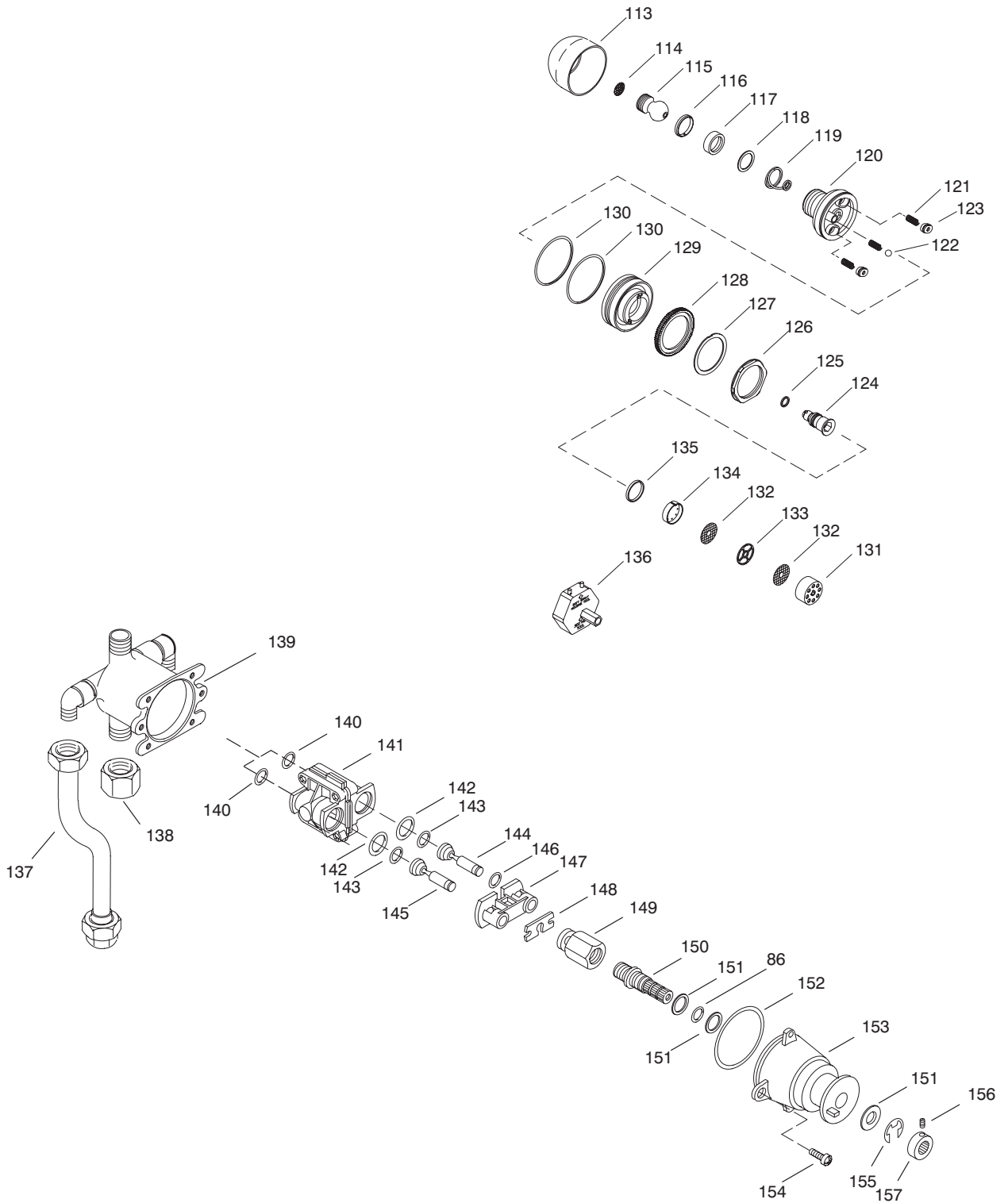
Variation and/or finish/color code may be required when ordering.



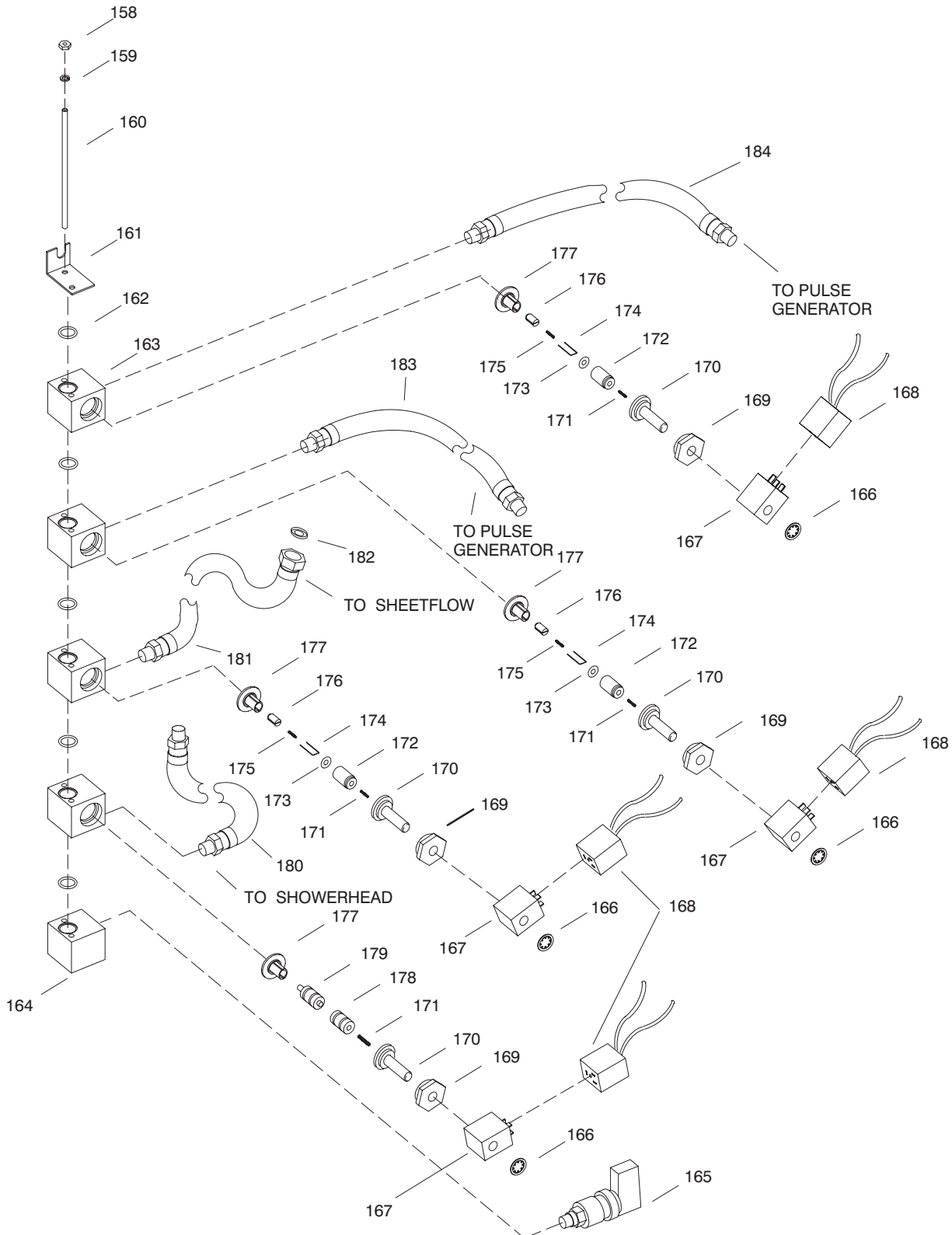
Variation and/or finish/color code may be required when ordering.



Variation and/or finish/color code may be required when ordering.



Variation and/or finish/color code may be required when ordering.



Variation and/or finish/color code may be required when ordering.

SERVICE PARTS

ITEM NO.	PART NO.	DESCRIPTION	ITEM NO.	PART NO.	DESCRIPTION
1		Available in Service Kit Only	73	97125	Rotor, Pulse Generator
2		Available in Service Kit Only	74	91621	Elbow, 90 1/4 x 1/4
3	57994	Flow Control	75	97123	Can, Pulse Generator
4	97132	Cap, Sheetflow	76	97146	Screw, #10-24UNC 2A x .625
5	91670	Bracket, Endcap	77	91996	Mounting Bracket
6	91739	Washer, .281 Id x .500 OD	78	97120	Flange, Ball Retaining
7	91738	Screw, .25-20UNC-2A x 3.25	79	97222	O-Ring, #133
8	91847	Screw, #10-24 x .38	80	97159	Spring, Load
9	91849	Screw, 1/4-20	81	97158	Seal, Eye
10	91810	Pin, Extrusion Hinge	82	91639	O-Ring, #2-032
11	97133	Mounting Flange	83	91578	Eye, Body Spray
12	58179	Bellows	84	91640	O-Ring, #5-1007
13	97212	Grip Ring	85	97203	Hub Assembly, Body Spray
14		Available in Service Kit Only	86	52457	O-Ring, -011 x .301
15	91770	Button, Indicator	87	97221	O-Ring, #026
16	48694	O-Ring, -030 x 1.614	88	97204	Sleeve Assembly, Body Spray
17	91851	Screw, #8-32 x .875	89	97213	Grip Ring
18	91629	Knob, Rite-Temp Handle	90	91581	Stem, Body Spray
19	92008	Seal	91	97220	O-Ring, #019
20	91631	Escutcheon, Mastershower	92	97218	Washer, #10 x .500 OD
21	91963	Label, Rite-Temp	93	97217	Screw, #10-32UNF 2A x 1.25
22	97197	Tower, Machined	94	97211	Spring, .045, .480 x .50
23	91805	Ring, Retaining	95		Available in Service Kit Only
24	91806	Pin, Latch	96		Available in Service Kit Only
25	91844	Cap w/Inserts	97	97157	Bearing, Eye
26	91912	Screw, #10-24 x .5	98	97119	Ball, Body Spray
27	91820	Sleeve, Fastener	99	91850	Linkage Arm w/ Insert
28	91819	Grommet, .375 Dia.	100	97235	Bearing, Ball
29	91812	Hinge, Lower	101	91747	Washer, Int Tooth, #8
30	91842	Flange Nut	102	91749	Screw, #8-32 x 3/8
31	91822	Standoff, #8-32	103	97160	Pivot Fastener
32	62456	Elbow, 1/2 Street, .50 F x .50 M	104	91748	Washer, Int Tooth, 3/8"
33	91828	Seal	105	97121	Housing, Body Spray
34	91811	Hinge, Upper	106	91882	Hub, Motor Linkage
35	92607	Keypad Assembly	107	91913	Screw, #8-32UNC-3A x .50
36	93503	Power Connector Assembly	108	91911	Screw, #10-32 x .5
37	92605	Circuit Board Assembly	109	97127	Mounting Bracket
38	91848	Screw, #8-32UNC-2A x .38	110	92603	Motor, Oscillator
39	91750	Screw, #8-32 Shoulder	111	91827	Switch, Center Sweep
40	91824	Collar	112	91500	Clamp, Cable
41	91818	Bearing, Thrust	113	56941	Housing Outer
42	91751	Screw, Set, #8-32 x .188	114	56953	Screen
43	97232	Linkage Arm, Shaft	115	57346	Ball Joint Assembly
44	91924	Block, Bearing	116	52843	Split Washer
45	97166	Shaft, .250 Dia	117	24981	Packing
46	91926	Linkage Arm, Motor	118	29266	Washer
47	91925	Linkage Arm	119	29497	Conical Spring
48	91627	Hose (w/Elbow)	120	56977	Rear Housing Assembly
49	91626	Hose (w/Elbow)	121	56937	Spring
50		Available in Service Kit Only	122	57345	Ball Bearings
51	91958	Washer	123	56933	Inlet Seal
52	60982	Screw, .190-32 x .75	124	56934	Center Post
53	91775	Bracket, Rite Temp	125	38634	O-Ring
54	91927	Bushing, Cone	126	56939	Hex Nut
55	69079	Screw, #6-32 x 1/4"	127	56949	Thrust Washer
56	92050	Cover	128	56931	Diffuser
57	63563	Screw, #8-32 x 1/4"	129	56975	Front Housing Assembly
58	93139	Transformer	130	56947	Grip Ring
59	92051	Enclosure	131	56938	Aerator Housing
60		Available in Service Kit Only	132	56950	Screen
61		Available in Service Kit Only	133	56946	Spacer
62		Available in Service Kit Only	134	56948	Aerator Plate
63	93501	15' Power Cord Assembly	135	56952	Gasket
64	68571	Bushing, Strain Relief	136	57453	Showerhead Tool
65	91807	Plate, Latch	137	92022	Braided Hose
66		Available in Service Kit Only	138	71933	Cap, 1/2 14 IP
67	91845	Screw, #8 x 2	139	92139	Body, Pressure Balanced
68	97145	Screw, #8-32UNF 2A x .50	140	52480	O-Ring, 013
69	92602	Motor, Pulse	141	52464	Body Subassembly
70	92024	Spacer, 1.0 ID x 1.24 OD	142	52479	O-Ring, 016
71	91930	Shaft Assembly, Pulse	143	52478	O-Ring, 108 x 15/64
72	97143	O-Ring, #2-135			

Variation and/or finish/color code may be required when ordering.

ITEM NO.	PART NO.	DESCRIPTION	SERVICE KITS			DESCRIPTION
			PART NO.	ITEM NO.	QTY.	
144		Available in Service Kit Only	91646			Sheetflow Assembly
145		Available in Service Kit Only		1	1 ea.	Assembly, Body & Shield
146	51251	O-Ring		2	1 ea.	Adapter, Flow Control
147	52450	Retainer Plate		3	1 ea.	Flow Control
148	52454	Stem Bar		4	1 ea.	Cap, Sheetflow
149	52455	Stem		5	1 ea.	Bracket, Endcap
150	52453	Spindle		6	2 ea.	Washer, .281 ID x .500 OD
151	52456	Washer		7	2 ea.	Screw, .25-20UNC-2A x 3.25
152	52477	O-Ring, 031 x 1 47/64	91841			Cap & Button Assembly
153	52451	Cap		14	1 ea.	Cap, Rite-Temp Handle
154	21980	Screw, 1/4-20 UNC-20 x 1/2		15	1 ea.	Button, Indicator
155	50541	E-Ring	91846			Endcap Assembly
156	20925	Screw, #8-32 x 5/16		25	1 ea.	Cap w/Inserts
157	52452	Spindle Collar		4	1 ea.	Bracket, Endcap
158		Available in Service Kit Only		8	2 ea.	Screw, #10-24 x .38
159		Available in Service Kit Only	91628			Hose Assembly
160		Available in Service Kit Only		50	1 ea.	Hose
161		Available in Service Kit Only		51	2 ea.	Washer
162	55108	O-Ring, -112 x .487	93140			Transformer Assembly
163		Available in Service Kit Only		55	2 ea.	Screw, #6-32 x 1/4"
164		Available in Service Kit Only		56	1 ea.	Cover
165	92160	Pressure Switch		57	2 ea.	Screw, #8-32 x 1/4"
166	92239	Solenoid Retaining Clip		58	1 ea.	Transformer
167	93481	Solenoid Coil		59	1 ea.	Enclosure
168	81750	Plug Assembly	91923			Mounting Box Assembly (Without Valve)
169		Available in Service Kit Only		60	16 ea.	Rivet, Blind #4 x .400
170		Available in Service Kit Only		61	1 ea.	Bracket, Lower
171		Available in Service Kit Only		62	1 ea.	Box, Wall Cavity/Mounting Plate, Rite-Temp
172		Available in Service Kit Only		65	4 ea.	Plate, Latch
173		Available in Service Kit Only		66	1 ea.	Bracket, Upper
174		Available in Service Kit Only	92601			Assembly, Pulse Generator
175		Available in Service Kit Only		68	4 ea.	Screw, #8-32UNF 2A x .50
176		Available in Service Kit Only		69	1 ea.	Motor, Pulse
177		Available in Service Kit Only		70	1 ea.	Spacer, 1.0 ID x 1.24 OD
178		Available in Service Kit Only		71	1 ea.	Shaft Assembly, Pulse
179		Available in Service Kit Only		72	1 ea.	O-Ring, #2-135
180	91623	Hose		73	1 ea.	Rotor, Pulse Generator
181		Available in Service Kit Only		74	2 ea.	Elbow, 90 1/4 x 1/4
182	91956	Washer		75	1 ea.	Can, Pulse Generator
183	91622	Hose		76	4 ea.	Screw, #10-24UNC 2A x .625
184	91625	Hose	97214			Mounting Bracket
				77	1 ea.	Assembly, Body Spray
				78	1 ea.	Flange, Ball Retaining
				79	1 ea.	O-Ring, #133
				80	1 ea.	Spring, Load
				81	1 ea.	Seal, Eye
				82	1 ea.	O-Ring, #2-032
				83	1 ea.	Eye, Body Spray
				84	2 ea.	O-Ring, #5-1007
				85	1 ea.	Hub Assembly, Body Spray
				86	1 ea.	O-Ring, -011 x .301
				87	1 ea.	O-ring, #026
				88	1 ea.	Sleeve Assembly, Body Spray
				89	1 ea.	Grip Ring
				90	1 ea.	Stem, Body Spray
				91	1 ea.	O-Ring, #019
				92	1 ea.	Washer, #10 x .500 OD
				93	1 ea.	Screw, #10-32UNF 2A x 1.25
				94	1 ea.	Spring, .045, .480 x .50
				95	1 ea.	Ring, Spray
				96	1 ea.	Nozzle, Body Spray
				97	1 ea.	Bearing, Eye
				98	1 ea.	Ball, Body Spray
			92238			Nozzle & Spray Ring Kit
				95	1 ea.	Ring, Spray
				96	1 ea.	Nozzle, Body Spray

Variation and/or finish/color code may be required when ordering.

PART NO.	ITEM NO.	QTY.	DESCRIPTION	PART NO.	ITEM NO.	QTY.	DESCRIPTION
58036			Showerhead Kit	52460			Cap Subassembly
	113	1 ea.	Housing Outer		143	2 ea.	O-Ring, 108 x 15/64
	114	1 ea.	Screen		144	1 ea.	Plunger, Hot
	115	1 ea.	Ball Joint Assembly (CP & O)		145	1 ea.	Plunger, Cold
		1 ea.	Ball Joint Assembly (PB)		146	1 ea.	O-Ring
	116	1 ea.	Split Washer		147	1 ea.	Retainer Plate
	117	1 ea.	Packing		148	1 ea.	Stem Bar
	118	1 ea.	Washer		149	1 ea.	Stem
	119	1 ea.	Conical Spring		150	1 ea.	Spindle
	120	1 ea.	Rear Housing Assembly		151	2 ea.	Washer
	121	3 ea.	Spring		86	1 ea.	O-Ring, 011 x 19/64
	122	1 ea.	Ball Bearing		152	1 ea.	O-Ring, 031 x 1 47/64
	123	2 ea.	Inlet Seal		153	1 ea.	Cap
	124	1 ea.	Center Post		154	1 ea.	Screw, 1/4-20 UNC-20 x 1/2
	125	1 ea.	O-Ring		155	1 ea.	E-Ring
	126	1 ea.	Hex Nut		156	1 ea.	Screw, #8-32 x 5/16
	127	1 ea.	Thrust Washer		157	1 ea.	Spindle Collar
	128	1 ea.	Diffuser	56146			Plunger Subassembly, Cold
	129	1 ea.	Front Housing Assembly		144	1 ea.	Plunger, Cold
	130	2 ea.	Grip Ring		143	1 ea.	O-Ring, 108 x 15/64
	131	1 ea.	Aerator Housing	56145			Plunger Subassembly, Hot
	132	2 ea.	Screen		145	1 ea.	Plunger, Hot
	133	1 ea.	Spacer		143	1 ea.	O-Ring, 108 x 15/64
	134	1 ea.	Aerator Plate		146	1 ea.	O-Ring
	135	1 ea.	Gasket	92604			Assembly, Manifold
	136	1 ea.	Showerhead Tool		158	2 ea.	Nut
91837			Valve Assembly		159	2 ea.	Lockwasher
	137	2 ea.	Braided Hose		160	2 ea.	Rod
	138	1 ea.	Cap, 1/2 14 IP		161	1 ea.	Bracket
	139	1 ea.	Body, Pressure Balanced		162	5 ea.	O-Ring, -112 x .487
	140	2 ea.	O-Ring, 013		163	4 ea.	Body
	141	1 ea.	Body Subassembly		164	1 ea.	Body, Pressure Switch
	142	2 ea.	O-Ring, 016		165	1 ea.	Pressure Switch
	143	2 ea.	O-Ring, 108 x 15/64		166	8 ea.	Retaining Clip
	144	1 ea.	Plunger, Hot		167	4 ea.	Solenoid Coil
	145	1 ea.	Plunger, Cold		169	4 ea.	Bonnet
	146	1 ea.	O-Ring		170	4ea.	Core Tube
	147	1 ea.	Retainer Plate		171	4 ea.	Plugnut Spring
	148	1 ea.	Stem Bar		172	3 ea.	Plugnut Assembly
	149	1 ea.	Stem		173	3 ea.	Breaker Piece
	150	1 ea.	Spindle		174	3 ea.	U-Shaped Spacer
	151	2 ea.	Washer		175	3 ea.	Core Spring
	86	1 ea.	O-Ring, 011 x 19/64		176	3 ea.	Core
	152	1 ea.	O-Ring, 031 x 1 47/64		177	4ea.	Disc Holder/Diaphragm Subassembly
	153	1 ea.	Cap		178	2 ea.	Plugnut Assembly w/Rider Rings
	154	1 ea.	Screw, 1/4-20 UNC-20 x 1/2		179	2 ea.	Core Assembly w/Rider Rings
	155	1 ea.	E-Ring	92161			Solenoid Rebuild Kit, N/O
	156	1 ea.	Screw, #8-32 x 5/16		166	1 ea.	Retaining Clip
	157	1 ea.	Spindle Collar		169	1 ea.	Bonnet
92025			Valve Assembly		170	1 ea.	Core Tube
	139	1 ea.	Body, Pressure Balanced		171	1 ea.	Plugnut Spring
	140	2 ea.	O-Ring, 013		172	1 ea.	Plugnut Assembly
	141	1 ea.	Body Subassembly		173	1 ea.	Breaker Piece
	142	2 ea.	O-Ring, 016		174	1 ea.	U-Shaped Spacer
	143	2 ea.	O-Ring, 108 x 15/64		175	1 ea.	Core Spring
	144	1 ea.	Plunger, Hot		176	1 ea.	Core
	145	1 ea.	Plunger, Cold		176	1 ea.	Disc Holder/Diaphragm Subassembly
	146	1 ea.	O-Ring	92162			Solenoid Rebuild Kit, N/O
	147	1 ea.	Retainer Plate		166	1 ea.	Retaining Clip
	148	1 ea.	Stem Bar		169	1 ea.	Bonnet
	149	1 ea.	Stem		170	3 ea.	Core Tube
	150	1 ea.	Spindle		171	1 ea.	Plugnut Spring
	151	2 ea.	Washer		177	1 ea.	Disc Holder/Diaphragm Subassembly
	86	1 ea.	O-Ring, 011 x 19/64		178	2 ea.	Plugnut Assembly w/Rider Rings
	152	1 ea.	O-Ring, 031 x 1 47/64		179	2 ea.	Core Assembly w/Rider Rings
	153	1 ea.	Cap	91624			Hose Assembly
	154	1 ea.	Screw, 1/4-20 UNC-20 x 1/2		181	1 ea.	Hose
	155	1 ea.	E-Ring		182	1 ea.	Washer
	156	1 ea.	Screw, #8-32 x 5/16				
	157	1 ea.	Spindle Collar				

Variation and/or finish/color code may be required when ordering.



KOHLER®

