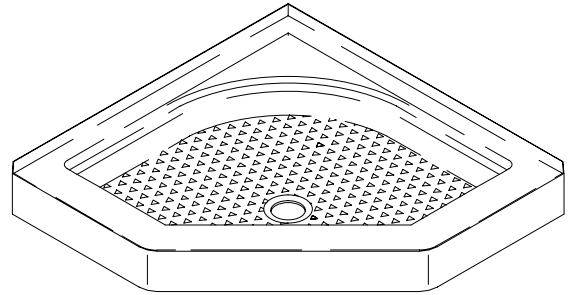


NEO-ANGLE SHOWER RECEPTOR

K-9536

FEATURES

- 37-7/8" x 37-7/8"
- Acrylic
- Terraced side walls
- Slip-resistant textured bottom



CODES/STANDARDS APPLICABLE

Specified model meets or exceeds the following:

- ANSI Z124.2
- IAPMO/UPC
- State of Massachusetts

COLORS/FINISHES

- 0 White
- Other Refer to Fixtures Price Book for additional colors

Accessories:

- CP Polished Chrome
- PB Polished Brass
- SV Nevada Silver™
- BR New England Brass™
- Other Refer to Faucets Price Book for additional finishes

SPECIFIED MODEL:

Model	Description	Colors/Finishes		
K-9536	Neo-angle shower receptor	<input type="checkbox"/> 0 White	<input type="checkbox"/> Other_____	
Recommended Accessories				
K-9132	Drain	<input type="checkbox"/> CP	<input type="checkbox"/> PB	<input type="checkbox"/> Other_____
Optional Accessories				
K-9868	Profile® neo-angle shower enclosure OR	<input type="checkbox"/> SV	<input type="checkbox"/> BR	<input type="checkbox"/> Other_____
K-9716	Glassworks™ neo-angle shower enclosure*	<input type="checkbox"/> SV	<input type="checkbox"/> BR	

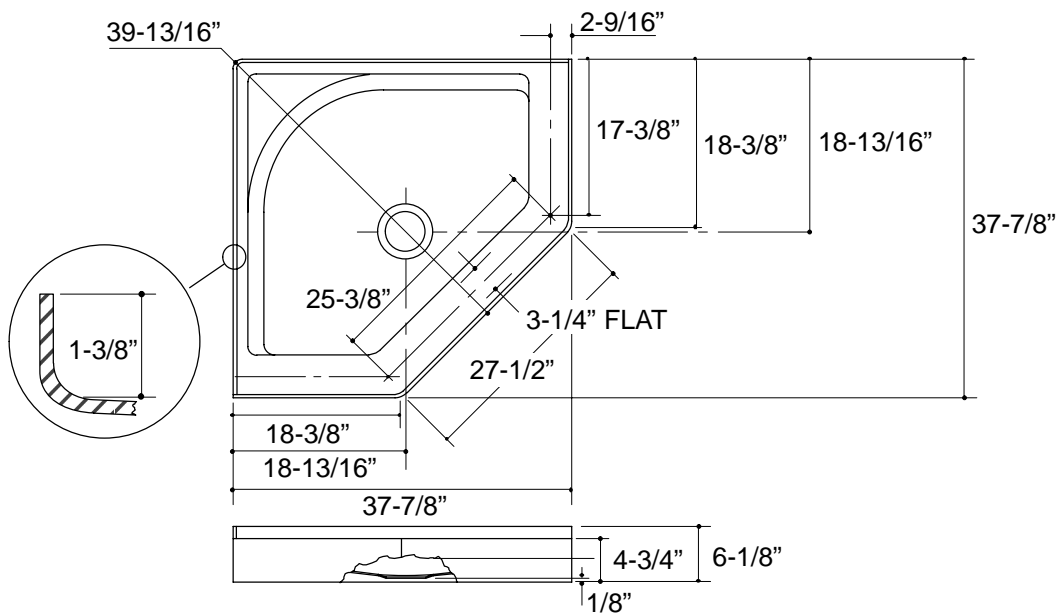
* Refer to Fixtures Price Book for glass options.

PRODUCT SPECIFICATION:

The neo-angle shower receptor shall be 37-7/8" in length and 37-7/8" in width. Shower receptor shall be made of acrylic. Shower receptor shall have terraced side walls. Shower receptor shall have slip-resistant textured bottom. Shower receptor shall be Kohler Model K-9536-_____.

PRODUCT INFORMATION

Fixture:	
Weight	49 lbs.
Configuration	1-piece
Drain Outlet	3-3/8" D.



364

PRODUCT DIAGRAM