

# KOHLER®



MasterShower™ tower  
with Hand Shower  
K-75-AA

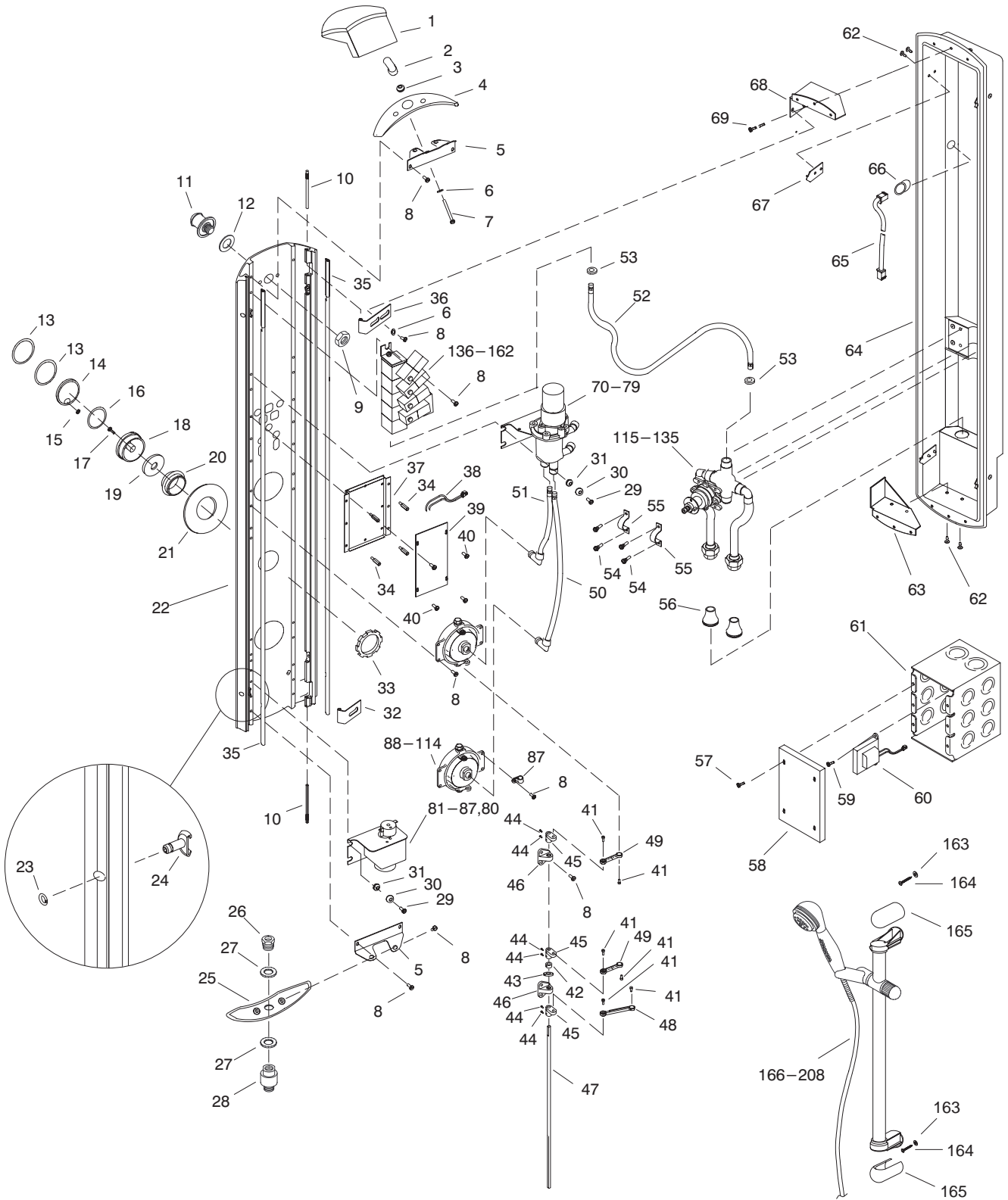
## SERVICE PARTS



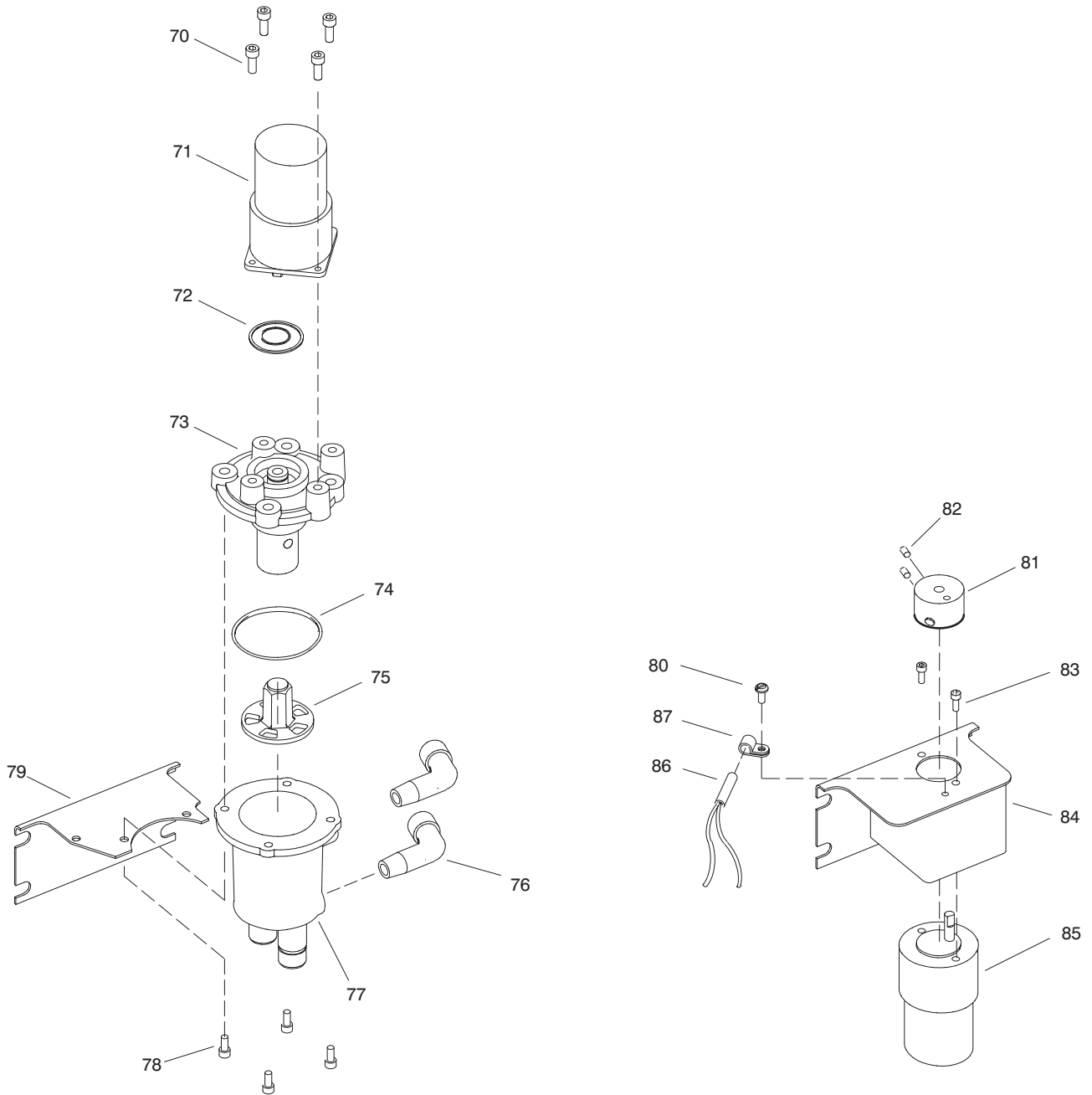


# KOHLER<sup>®</sup> SERVICE PARTS

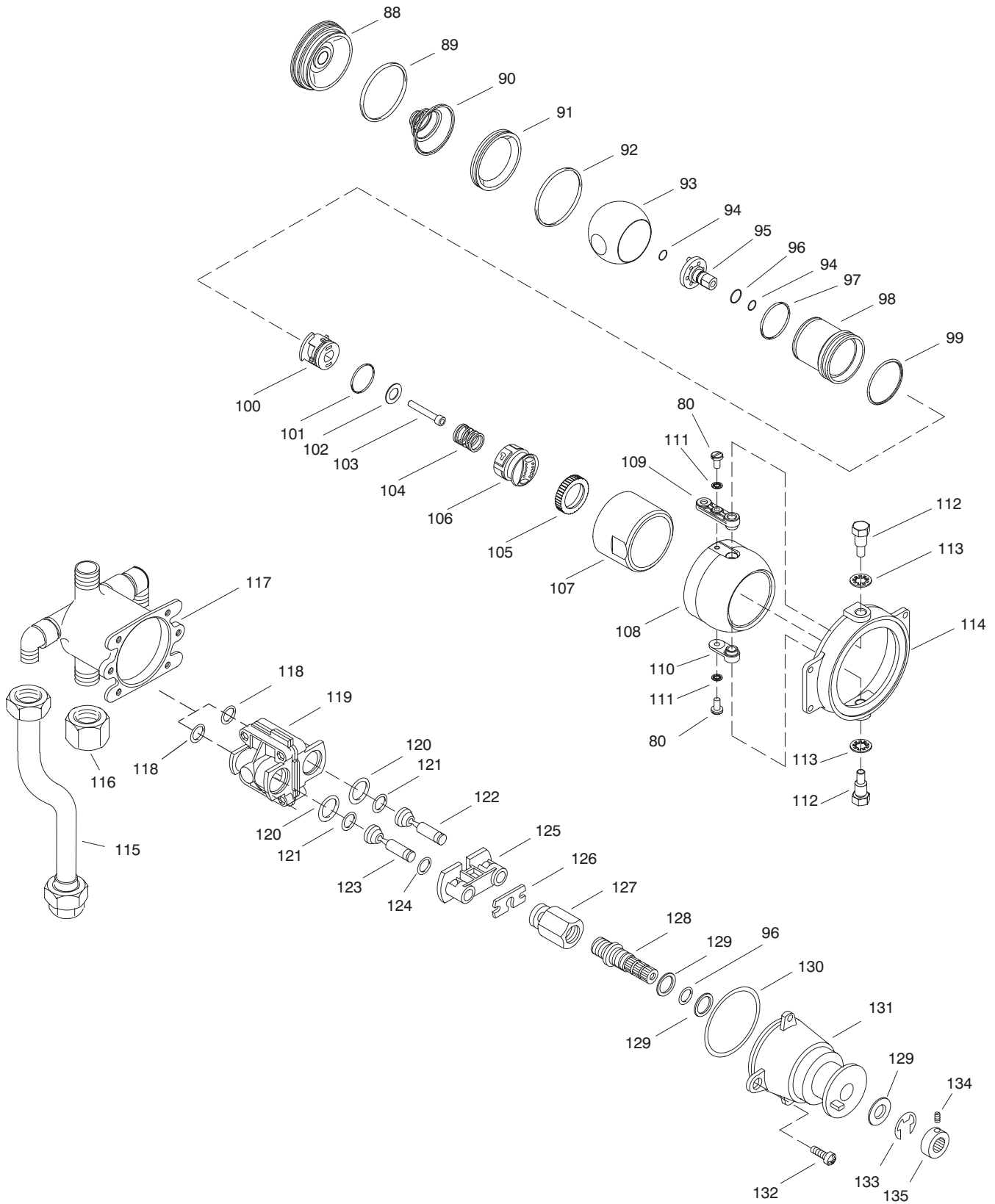
MasterShower<sup>™</sup> tower  
with Hand Shower  
K-75-AA



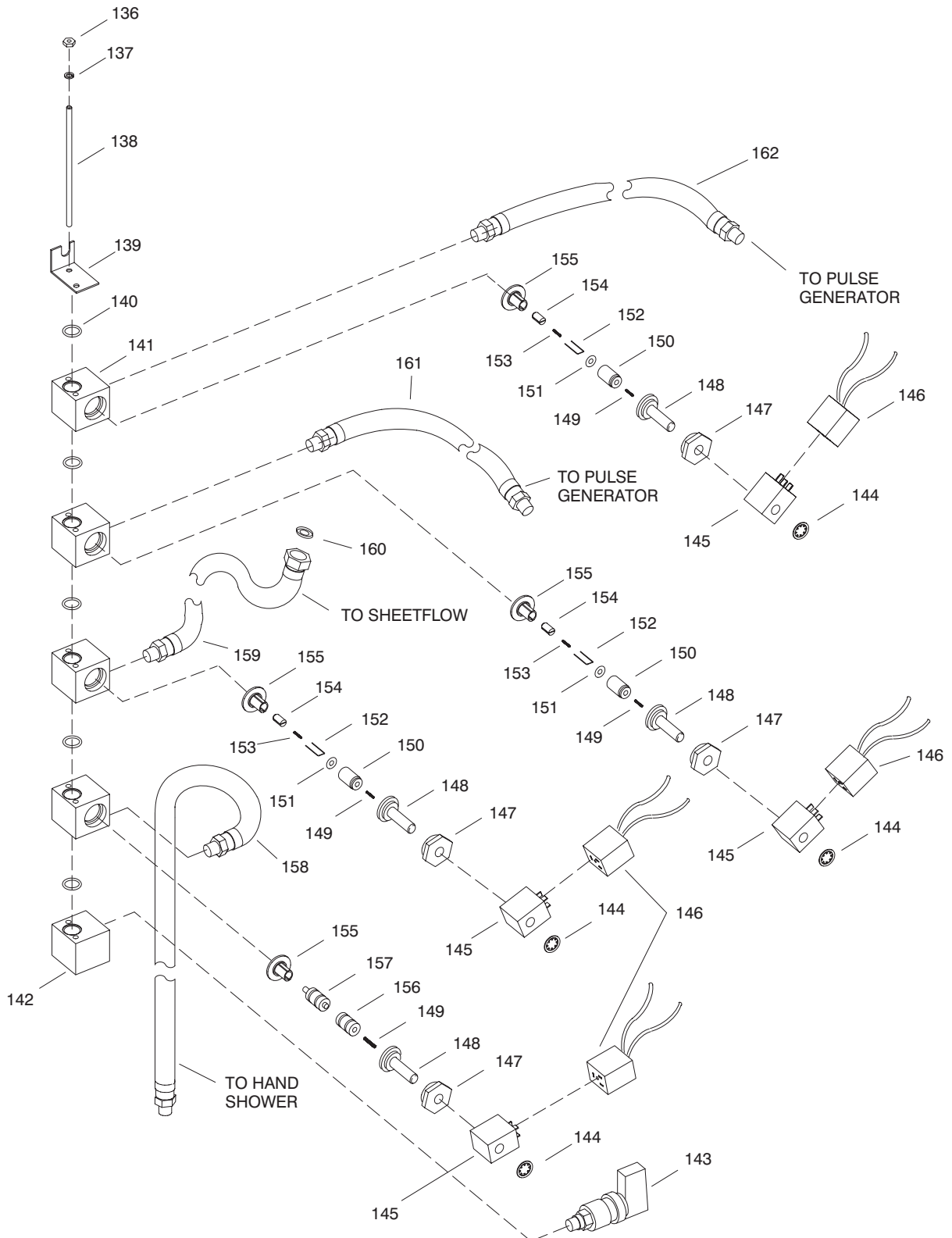
Variation and/or finish/color code may be required when ordering.



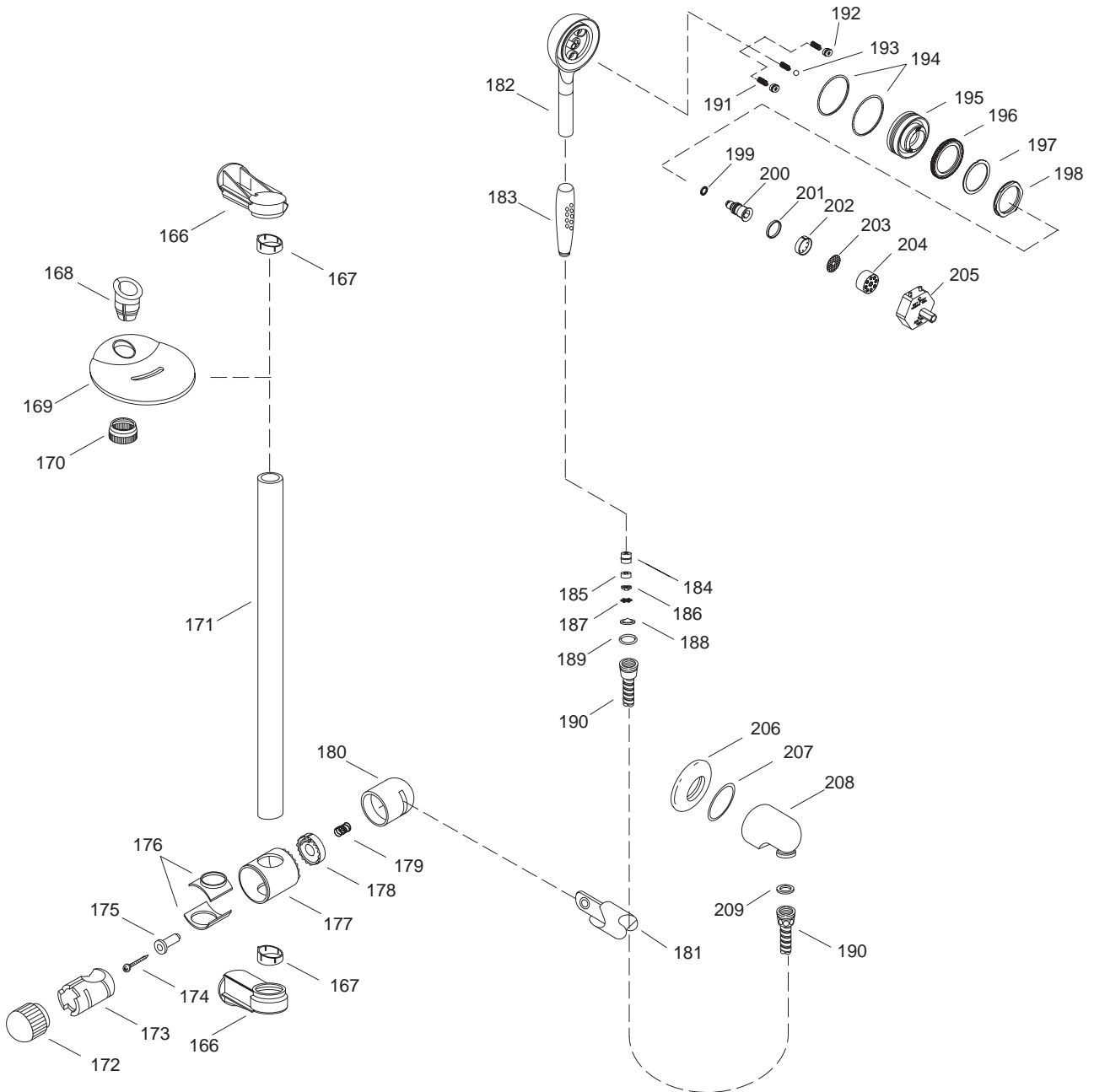
Variation and/or finish/color code may be required when ordering.



Variation and/or finish/color code may be required when ordering.



Variation and/or finish/color code may be required when ordering.



Variation and/or finish/color code may be required when ordering.

### SERVICE PARTS

ITEM NO.	PART NO.	DESCRIPTION	ITEM NO.	PART NO.	DESCRIPTION
1		Available in Service Kit Only	71	92602	Motor, Pulse
2		Available in Service Kit Only	72	92024	Spacer, 1.0 ID x 1.24 OD
3	57994	Flow Control	73	91930	Shaft Assembly, Pulse
4	97132	Cap, Sheetflow	74	97143	O-ring, #2-135
5	91670	Bracket, Endcap	75	97125	Rotor, Pulse Generator
6	91739	Washer, .281 Id x .500 OD	76	91621	Elbow, 90 1/4 x 1/4
7	91738	Screw, .25-20UNC-2A x 3.25	77	97123	Can, Pulse Generator
8	91847	Screw, #10-24 x .38	78	97146	Screw, #10-24UNC 2A x .625
9	93716	Nut, 13/16-18NS	79	91996	Mounting Bracket
10	91810	Pin, Extrusion Hinge	80	91749	Screw, #8-32 x 3/8
11	93715	Post	81	91882	Hub, Motor Linkage
12	93717	Washer	82	91913	Screw, #8-32UNC-3A x .50
13	97212	Grip Ring	83	91911	Screw, #10-32 x .5
14		Available in Service Kit Only	84	97127	Mounting Bracket
15	91770	Button, Indicator	85	92603	Motor, Oscillator
16	48694	O-ring, -030 x 1.614	86	91827	Switch, Center Sweep
17	91851	Screw, #8-32 x .875	87	91500	Clamp, Cable
18	91629	Knob, Rite-Temp Handle	88	97120	Flange, Ball Retaining
19	92008	Seal	89	97222	O-ring, #133
20	91631	Escutcheon, MasterShower	90	97159	Spring, Load
21	91963	Label, Rite-Temp	91	97158	Seal, Eye
22	97197	Tower, Machined	92	91639	O-ring, #2-032
23	91805	Ring, Retaining	93	91578	Eye, Body Spray
24	91806	Pin, Latch	94	91640	O-ring, #5-1007
25	93771	Endcap, MasterShower	95	97203	Hub Assembly, Body Spray
26	93769	Plug	96	52457	O-ring, -011 x .301
27	93770	Washer	97	97221	O-ring, #026
28	42618	Vacuum Breaker	98	97204	Sleeve Assembly, Body Spray
29	91912	Screw, #10-24 x .5	99	97213	Grip Ring
30	91820	Sleeve, Fastener	100	91581	Stem, Body Spray
31	91819	Grommet, .375 Dia.	101	97220	O-ring, #019
32	91812	Hinge, Lower	102	97218	Washer, #10 x .500 OD
33	91842	Flange Nut	103	97217	Screw, #10-32UNF 2A x 1.25
34	91822	Standoff, #8-32	104	97211	Spring, .045, .480 x .50
35	91828	Seal	105		Available in Service Kit Only
36	91811	Hinge, Upper	106		Available in Service Kit Only
37	92607	Keypad Assembly	107	97157	Bearing, Eye
38	93503	Power Connector Assembly	108	97119	Ball, Body Spray
39	92605	Circuit Board Assembly	109	91850	Linkage Arm w/ Insert
40	91848	Screw, #8-32unc-2A x .38	110	97235	Bearing, Ball
41	91750	Screw, #8-32 Shoulder	111	91747	Washer, Int Tooth, #8
42	91824	Collar	112	97160	Pivot Fastener
43	91818	Bearing, Thrust	113	91748	Washer, Int Tooth, 3/8"
44	91751	Screw, Set, #8-32 x .188	114	97121	Housing, Body Spray
45	97232	Linkage Arm, Shaft	115	92022	Braided Hose
46	91924	Block, Bearing	116	71933	Cap, 1/2 14 IP
47	97166	Shaft, .250 Dia	117	92139	Body, Pressure Balanced
48	91926	Linkage Arm, Motor	118	52480	O-ring, 013
49	91925	Linkage Arm	119	52464	Body Subassembly
50	91627	Hose (w/Elbow)	120	52479	O-ring, 016
51	91626	Hose (w/Elbow)	121	52478	O-ring, 108 x 15/64
52		Available in Service Kit Only	122		Available in Service Kit Only
53	91958	Washer	123		Available in Service Kit Only
54	60982	Screw, .190-32 x .75	124	51251	O-ring
55	91775	Bracket, Rite Temp	125	52450	Retainer Plate
56	91927	Bushing, Cone	126	52454	Stem Bar
57	69079	Screw, #6-32 x 1/4"	127	52455	Stem
58	92050	Cover	128	52453	Spindle
59	63563	Screw, #8-32 x 1/4"	129	52456	Washer
60	93139	Transformer	130	52477	O-ring, 031 x 1 47/64
61	92051	Enclosure	131	52451	Cap
62		Available in Service Kit Only	132	21980	Screw, 1/4-20 UNC-20 x 1/2
63		Available in Service Kit Only	133	50541	E-Ring
64		Available in Service Kit Only	134	20925	Screw, #8-32 x 5/16
65	93501	15' Power Cord Assembly	135	52452	Spindle Collar
66	68571	Bushing, Strain Relief	136		Available in Service Kit Only
67	91807	Plate, Latch	137		Available in Service Kit Only
68		Available in Service Kit Only	138		Available in Service Kit Only
69	91845	Screw, #8 x 2	139		Available in Service Kit Only
70	97145	Screw, #8-32UNF 2A x .50	140	55108	O-ring, -112 x .487

Variation and/or finish/color code may be required when ordering.



ITEM NO.	PART NO.	DESCRIPTION	SERVICE KITS			DESCRIPTION
			PART NO.	ITEM NO.	QTY.	
141		Available in Service Kit Only	91646			Sheetflow Assembly
142		Available in Service Kit Only		1	1 ea.	Assembly, Body & Shield
143	92160	Pressure Switch		2	1 ea.	Adapter, Flow Control
144	92239	Solenoid Retaining Clip		3	1 ea.	Flow Control
145	93481	Solenoid Coil		4	1 ea.	Cap, Sheetflow
146	81750	Plug Assembly		5	1 ea.	Bracket, Endcap
147		Available in Service Kit Only		6	2 ea.	Washer, .281 ID x .500 OD
148		Available in Service Kit Only		7	2 ea.	Screw, .25-20UNC-2A x 3.25
149		Available in Service Kit Only	91841			Cap & Button Assembly
150		Available in Service Kit Only		14	1 ea.	Cap, Rite-Temp Handle
151		Available in Service Kit Only		15	1 ea.	Button, Indicator
152		Available in Service Kit Only	91846			Endcap Assembly
153		Available in Service Kit Only		25	1 ea.	Cap w/Inserts
154		Available in Service Kit Only		5	1 ea.	Bracket, Endcap
155		Available in Service Kit Only		8	2 ea.	Screw, #10-24 x .38
156		Available in Service Kit Only	91628			Hose Assembly
157		Available in Service Kit Only		52	1 ea.	Hose
158	93776	Hose		53	2 ea.	Washer
159		Available in Service Kit Only	93140			Transformer Assembly
160	91956	Washer		57	2 ea.	Screw, #6-32 x 1/4"
161	91622	Hose		58	1 ea.	Cover
162	91625	Hose		59	2 ea.	Screw, #8-32 x 1/4"
163	59391	Washer		60	1 ea.	Transformer
164	58850	Screw		61	1 ea.	Enclosure
165	58811	Bracket Cover	91923			Mounting Box Assembly (Without Valve)
166	58816	Bracket		62	16 ea.	Rivet, Blind #4 x .400
167	58813	Grommet		63	1 ea.	Bracket, Lower
168	58853	Collet		64	1 ea.	Box, Wall Cavity/Mounting Plate, Rite-Temp
169	58928	Dish, Soap		67	4 ea.	Plate, Latch
170	58852	Nut		68	1 ea.	Bracket, Upper
171	58851	Shower Bar	92601			Assembly, Pulse Generator
172	58841	Handle Assembly		70	4 ea.	Screw, #8-32UNF 2A x .50
173	58814	Clamp		71	1 ea.	Motor, Pulse
174	58850	Screw		72	1 ea.	Spacer, 1.0 ID x 1.24 OD
175	58821	Spindle		73	1 ea.	Shaft Assembly, Pulse
176	58807	Slider Grommet		74	1 ea.	O-ring, #2-135
177	58804	Slider		75	1 ea.	Rotor, Pulse Generator
178	58812	Ratchet		76	2 ea.	Elbow, 90 1/4 x 1/4
179	58826	Spring		77	1 ea.	Can, Pulse Generator
180	58810	Angle Adjustment		78	4 ea.	Screw, #10-24UNC 2A x .625
181	58815	Handset Holder		79	1 ea.	Mounting Bracket
182	57581	Handle Assembly - Three-Way	97214			Assembly, Body Spray
183	57578	Insert, Handle		88	1 ea.	Flange, Ball Retaining
184	57098	Insert Assembly		89	1 ea.	O-ring, #133
185	57992	Flow Control Housing		90	1 ea.	Spring, Load
186	57994	Flow Control		91	1 ea.	Seal, Eye
187	57993	Retaining Clip-Flow Control		92	1 ea.	O-ring, #2-032
188	56953	Screen		93	1 ea.	Eye, Body Spray
189	34353	O-ring		94	2 ea.	O-ring, #5-1007
190	58461	Hose		95	1 ea.	Hub Assembly, Body Spray
191	56937	Spring		96	1 ea.	O-ring, -011 x .301
192	56933	Inlet Seal		97	1 ea.	O-ring, #026
193	57345	Ball Bearings		98	1 ea.	Sleeve Assembly, Body Spray
194	56947	Grip Ring		99	1 ea.	Grip Ring
195	56975	Front Housing Assembly		100	1 ea.	Stem, Body Spray
196	56931	Diffuser		101	1 ea.	O-ring, #019
197	56949	Thrust Washer		102	1 ea.	Washer, #10 x .500 OD
198	56939	Hex Nut		103	1 ea.	Screw, #10-32UNF 2A x 1.25
199	38820	O-ring		104	1 ea.	Spring, .045, .480 x .50
200	56934	Center Post		105	1 ea.	Ring, Spray
201	56952	Gasket		106	1 ea.	Nozzle, Body Spray
202	56948	Aerator Plate		107	1 ea.	Bearing, Eye
203	73498	Screen Assembly		108	1 ea.	Ball, Body Spray
204	56938	Aerator Housing	92238			Nozzle & Spray Ring Kit
205	57453	Showerhead Tool		105	1 ea.	Ring, Spray
206	58089	Escutcheon		106	1 ea.	Nozzle, Body Spray
207	58083	O-ring				
208	92402	Outlet Assembly				
209	41163	Gasket				

Variation and/or finish/color code may be required when ordering.

PART NO.	ITEM NO.	QTY.	DESCRIPTION	PART NO.	ITEM NO.	QTY.	DESCRIPTION
91837			Valve Assembly	59772			Plunger, Kit
	115	2 ea.	Braided Hose		121	2 ea.	O-ring, 108 x 15/64
	116	1 ea.	Cap, 1/2 14 IP		122	1 ea.	Plunger, Cold
	117	1 ea.	Body, Pressure Balanced		123	1 ea.	Plunger, Hot
	118	2 ea.	O-ring, 013		124	1 ea.	O-ring
	119	1 ea.	Body Subassembly	92604			Assembly, Manifold
	120	2 ea.	O-ring, 016		136	2 ea.	Nut
	121	2 ea.	O-ring, 108 x 15/64		137	2 ea.	Lockwasher
	122	1 ea.	Plunger, Hot		138	2 ea.	Rod
	123	1 ea.	Plunger, Cold		139	1 ea.	Bracket
	124	1 ea.	O-ring		140	5 ea.	O-ring, -112 x .487
	125	1 ea.	Retainer Plate		141	4 ea.	Body
	126	1 ea.	Stem Bar		142	1 ea.	Body, Pressure Switch
	127	1 ea.	Stem		143	1 ea.	Pressure Switch
	128	1 ea.	Spindle		144	8 ea.	Retaining Clip
	129	2 ea.	Washer		145	4 ea.	Solenoid Coil
	96	1 ea.	O-ring, 011 x 19/64		147	4 ea.	Bonnet
	130	1 ea.	O-ring, 031 x 1 47/64		148	4 ea.	Core Tube
	131	1 ea.	Cap		149	4 ea.	Plugnut Spring
	132	1 ea.	Screw, 1/4-20 UNC-20 x 1/2		150	3 ea.	Plugnut Assembly
	133	1 ea.	E-Ring		151	3 ea.	Breaker Piece
	134	1 ea.	Screw, #8-32 x 5/16		152	3 ea.	U-Shaped Spacer
	135	1 ea.	Spindle Collar		153	3 ea.	Core Spring
92025			Valve Assembly		154	3 ea.	Core
	117	1 ea.	Body, Pressure Balanced		155	4 ea.	Disc Holder/Diaphragm Subassembly
	118	2 ea.	O-ring, 013		156	2 ea.	Plugnut Assembly w/Rider Rings
	119	1 ea.	Body Subassembly		157	2 ea.	Core Assembly w/Rider Rings
	120	2 ea.	O-ring, 016	92161			Solenoid Rebuild Kit, N/O
	121	2 ea.	O-ring, 108 x 15/64		144	1 ea.	Retaining Clip
	122	1 ea.	Plunger, Hot		147	1 ea.	Bonnet
	123	1 ea.	Plunger, Cold		148	1 ea.	Core Tube
	124	1 ea.	O-ring		149	1 ea.	Plugnut Spring
	125	1 ea.	Retainer Plate		150	1 ea.	Plugnut Assembly
	126	1 ea.	Stem Bar		151	1 ea.	Breaker Piece
	127	1 ea.	Stem		152	1 ea.	U-Shaped Spacer
	128	1 ea.	Spindle		153	1 ea.	Core Spring
	129	2 ea.	Washer		154	1 ea.	Core
	96	1 ea.	O-ring, 011 x 19/64		155	1 ea.	Disc Holder/Diaphragm Subassembly
	130	1 ea.	O-ring, 031 x 1 47/64	92162			Solenoid Rebuild Kit, N/O
	131	1 ea.	Cap		144	1 ea.	Retaining Clip
	132	1 ea.	Screw, 1/4-20 UNC-20 x 1/2		147	1 ea.	Bonnet
	133	1 ea.	E-Ring		148	3 ea.	Core Tube
	134	1 ea.	Screw, #8-32 x 5/16		149	1 ea.	Plugnut Spring
	135	1 ea.	Spindle Collar		155	1 ea.	Disc Holder/Diaphragm Subassembly
52460			Cap Subassembly		156	2 ea.	Plugnut Assembly w/Rider Rings
	121	2 ea.	O-ring, 108 x 15/64		157	2 ea.	Core Assembly w/Rider Rings
	122	1 ea.	Plunger, Hot	91624			Hose Assembly
	123	1 ea.	Plunger, Cold		159	1 ea.	Hose
	124	1 ea.	O-ring		160	1 ea.	Washer
	125	1 ea.	Retainer Plate	59397			Slider Assembly
	126	1 ea.	Stem Bar		172	1 ea.	Handle Assembly
	127	1 ea.	Stem		173	1 ea.	Clamp
	128	1 ea.	Spindle		174	1 ea.	Screw
	129	2 ea.	Washer		175	1 ea.	Spindle
	96	1 ea.	O-ring, 011 x 19/64		176	2 ea.	Slider Grommet
	130	1 ea.	O-ring, 031 x 1 47/64		177	1 ea.	Slider
	131	1 ea.	Cap		178	1 ea.	Ratchet
	132	1 ea.	Screw, 1/4-20 UNC-20 x 1/2		179	1 ea.	Spring
	133	1 ea.	E-Ring		180	1 ea.	Angle Adjustment
	134	1 ea.	Screw, #8-32 x 5/16		181	1 ea.	Handset Holder
	135	1 ea.	Spindle Collar				

Variation and/or finish/color code may be required when ordering.



**KOHLER**®

