

Ordering Information

Accessories/hardware:		
Shower enclosure	K-9715	required
Drain	K-9132	recommended
Faucet trim kit	varies	recommended
Vinyl tiling-in bead*	K-1182	optional

*Use K-1182 vinyl bead when wall material contacts any top surface of receptor.

Product Information

Fixture:	
Weight, receptor	40 lbs.
Outlet	3-3/8" D.

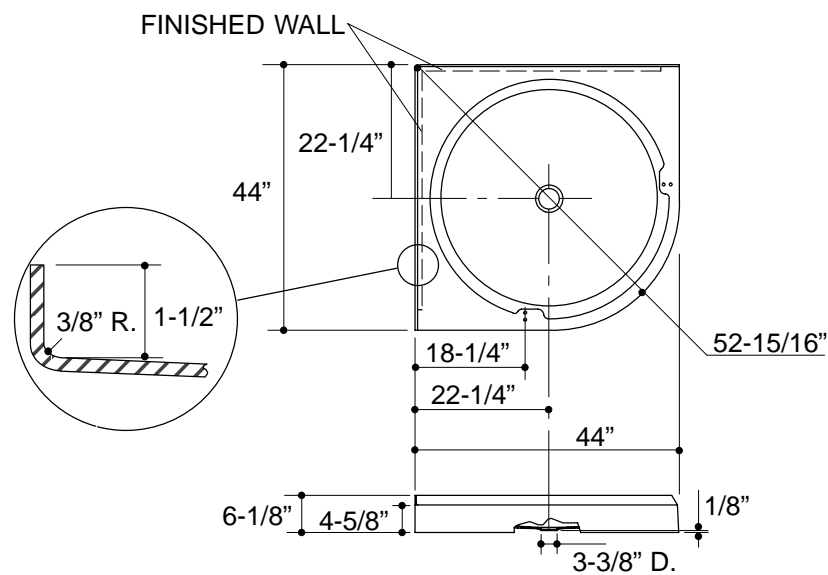
Installation Notes

Refer to installation instructions included with fixture before beginning installation.

Roughing-In Notes

Fixture dimensions are nominal and conform to tolerances in ASME/ANSI Standard Z124.2.

Leave studs exposed. Shower enclosure wall jambs must be installed directly to studs.



132

K-9537 Trocadero[™] Shower Receptor
114013-1-AA (9547)

KOHLER[®]

NOTES: