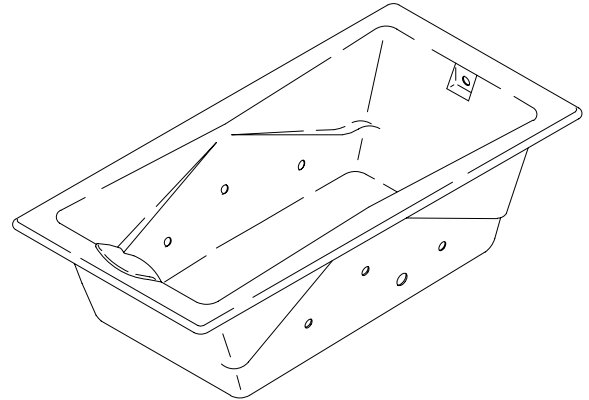


K-865-H1, K-865-N

FEATURES

- 71-3/4" x 36" x 20-7/8"
- Cast iron with Safeguard® finish
- System III - 2 hp variable flow pump with integral heater, electronic switch, and pulsating neckjets with pillow
- 6 Flexjets
- UL Listed
- LESS ALL TRIM
- Pump is supplied with a grounding-type plug in cord



CODES/STANDARDS APPLICABLE

Specified model meets or exceeds the following:

- ASME/ANSI A112.19.1M
- ASME/ANSI A112.19.7M
- IAPMO/UPC
- Underwriters Laboratories (UL)
- State of Massachusetts
- City of Los Angeles, CA

COLORS/FINISHES

- 0 White
- Other Refer to Fixtures Price Book for additional colors

Accessories:

- CP Polished Chrome
- PB Polished Brass
- Other Refer to Faucets Price Book for additional finishes
- NA None Applicable

SPECIFIED MODEL:

Model	Description	Colors/Finishes	
K-865-H1	6' bath whirlpool less neckjets and pillow	<input type="checkbox"/> 0 White	<input type="checkbox"/> Other_____
K-865-N	6' bath whirlpool with neckjets and pillow	<input type="checkbox"/> 0 White	<input type="checkbox"/> Other_____

Required Accessories				
K-9696	Jet trim kit	<input type="checkbox"/> CP	<input type="checkbox"/> PB	<input type="checkbox"/> Other_____
K-7169-AF	Drain	<input type="checkbox"/> CP	<input type="checkbox"/> PB	<input type="checkbox"/> Other_____

Optional Accessories		
K-582	Undermount installation kit (template and installation instructions)	<input type="checkbox"/> NA
K-1179	Vinyl tiling-in bead (use when wall material contacts any top surface of bath)	<input type="checkbox"/> NA

PRODUCT SPECIFICATION:

The bath whirlpool shall be 71-3/4" in length, 36" in width, and 20-7/8" in height. Bath whirlpool shall be made of cast iron with Safeguard® finish. Bath whirlpool shall have System III, with 6 Flexjets, 2 hp variable flow pump with integral heater, electronic switch, and pulsating neckjets with pillow. Bath whirlpool shall be UL listed. Bath whirlpool shall be less all trim. Bath whirlpool pump shall be supplied with a grounding-type plug-in cord. Bath whirlpool shall be Kohler Model K-865-_____-_____.

TEA-FOR-TWO™

REQUIRED ELECTRICAL SERVICE

Dedicated circuit required, protected with Class A Ground-Fault Circuit-Interrupter (GFCI):

Pump/control	120 V., 20 A, 60 Hz
--------------	---------------------

PRODUCT INFORMATION

Fixture*:	basin area	top area	weight
Bathing well	49" x 22"	62" x 28"	445 lbs.
	water depth	capacity	
To overflow	17"	89 gals.	

* Approximate measurements for comparison only.

Pump:	HP	V	Hz	A
1-speed	2	120	60	18.5

INSTALLATION NOTES

Each pump is supplied with a grounding type plug-in cord. Locate the outlet behind the whirlpool, and within 24" of the pump.

Roughing-In Notes

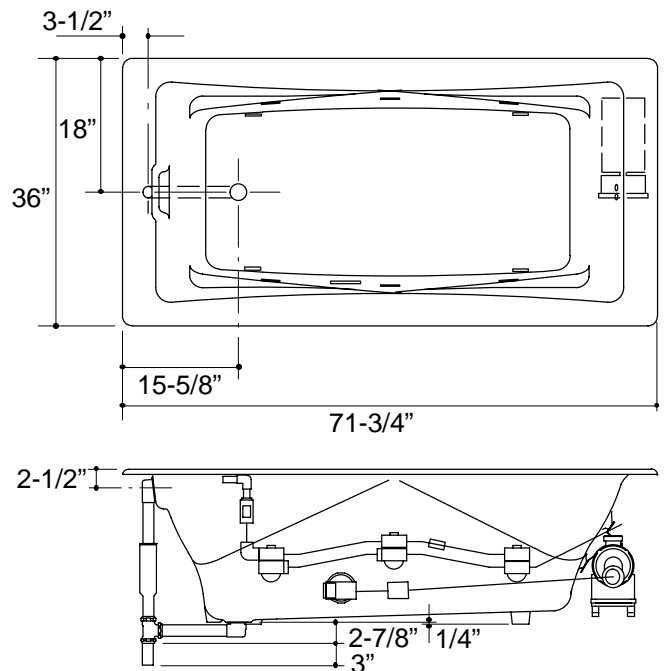
No change in measurements if connected with drain illustrated.

Cut-out for drop-in	70-1/4" x 34-1/2"
---------------------	-------------------

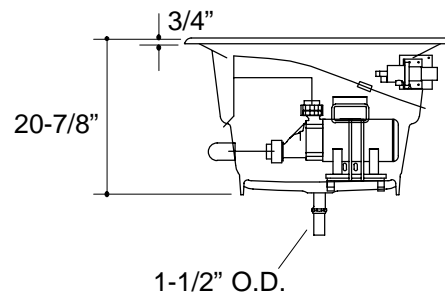
Cut-out for undermount	K-582 template required
------------------------	-------------------------

Minimum access:

Pump/control	34" W x 15" H	required
--------------	---------------	----------



PUMP/CONTROL ACCESS



1.25>132

PRODUCT DIAGRAM

K-865-H1, K-865-N Tea-For-Two™ 6' Bath Whirlpool

Page 2 of 2

114109-4-BA (B)

THE BOLD LOOK
OF **KOHLER**®