

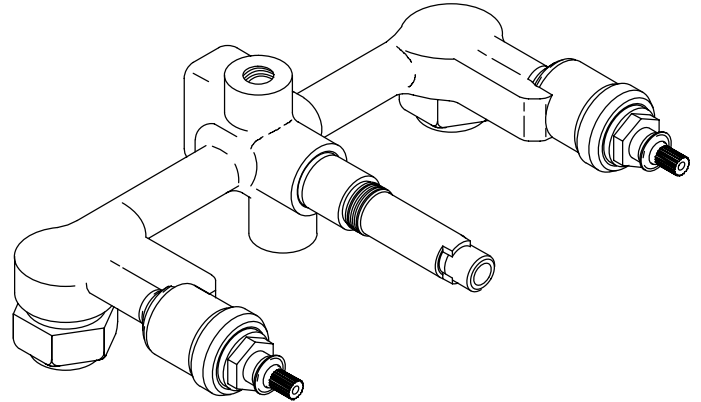
FEATURES

- *Wall-mount*
- *For 8" centers*
- *Brass valve bodies*
- *1/2" quarter-turn washerless ceramic disc valves*
- *Integral diverter mechanism*

CODES/STANDARDS APPLICABLE

Specified model meets or exceeds the following:

- *ASME/ANSI A112.18.1M*
- *CSA B125*
- *IAPMO/UPC*



COLORS/FINISHES

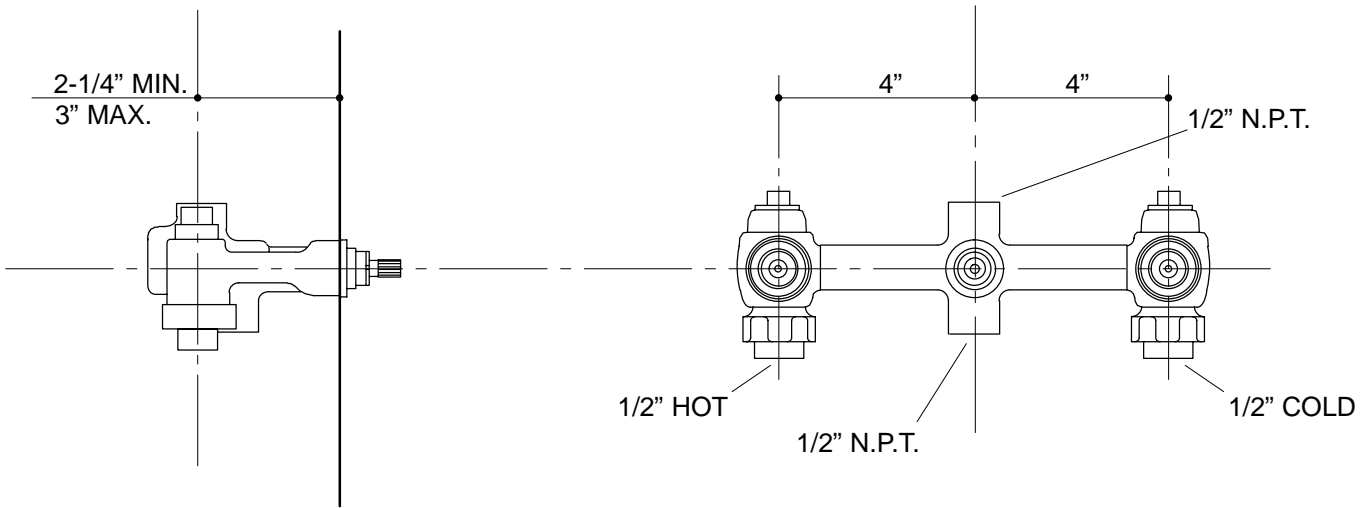
- NA Not applicable

SPECIFIED MODEL:

Model	Description	
K-303-K	3-Handle 1/2" Ceramic Disc Valve System	<input type="checkbox"/> NA

PRODUCT SPECIFICATION:

Three-handle wall-mount 1/2" valve system shall feature 8" centers, and brass valve bodies. Faucet shall feature 1/2" quarter-turn washerless ceramic disc valves, assuring positive handle stop positioning. Product shall include an integral diverter mechanism. Valve system shall be Kohler Model K-303-K-NA.



PRODUCT DIAGRAM