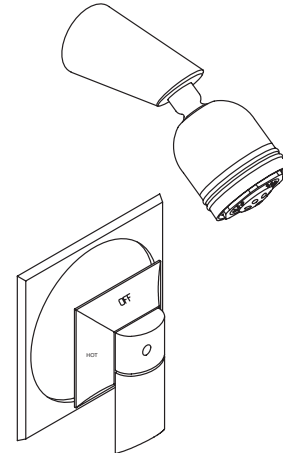


**SHOWER FAUCET TRIM
K-T6469-4B**

ALSO K-T6415-4B, K-304, K-306-KS

ADA



FEATURES

- Brass construction
- Lever handle
- Multi-piece faceplate
- Three-way showerhead with arm
- Intended for use with Rite-Temp or Hi Flow Rite-Temp valves

CODES/STANDARDS APPLICABLE

Specified model meets or exceeds the following:

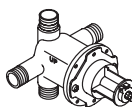
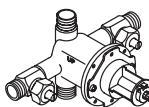
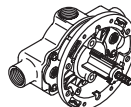
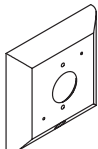
- ASME/ANSI A112.18.1M
- ASSE/ANSI 1016
- IAPMO/UPC (K-T6415-4B)

COLORS/FINISHES

- CP Polished Chrome
- PB Polished Brass

SPECIFIED MODEL: For complete faucet, both faucet trim and Rite-Temp valve must be specified.

Model	Description		
K-T6469-4B	Shower Only Faucet Trim	<input type="checkbox"/> CP	<input type="checkbox"/> PB
K-T6415-4B	Valve Only Faucet Trim	<input type="checkbox"/> CP	<input type="checkbox"/> PB

Required Accessories					
K-304-K	Rite-Temp Valve Without Stops	<input type="checkbox"/> NA			
K-304-KS	Rite-Temp Valve With Stops		<input type="checkbox"/> NA		
K-306-KS	Hi Flow Rite-Temp Valve With Integral Stops			<input type="checkbox"/> NA	
K-17206	Decorative Insert, Single				<input type="checkbox"/> CP <input type="checkbox"/> PB <input type="checkbox"/> Other____

Optional Accessory			
88526	Hi Flow Rite-Temp Thin Wall Installation Kit	<input type="checkbox"/> CP	<input type="checkbox"/> PB <input type="checkbox"/> Other_____

PRODUCT SPECIFICATION:
 Rite-Temp pressure-balancing single-control shower faucet trim shall be of brass construction. Shower trim shall include showerhead with arm, and faceplate with handle. Valve only trim shall include faceplate with handle. Faucet trim shall be K-T____-4B-____ with K-17206-____ insert. Rite-Temp valve shall be K-304-K____-NA **OR** K-306-KS-NA Hi Flow Rite-Temp valve.

PRODUCT INFORMATION

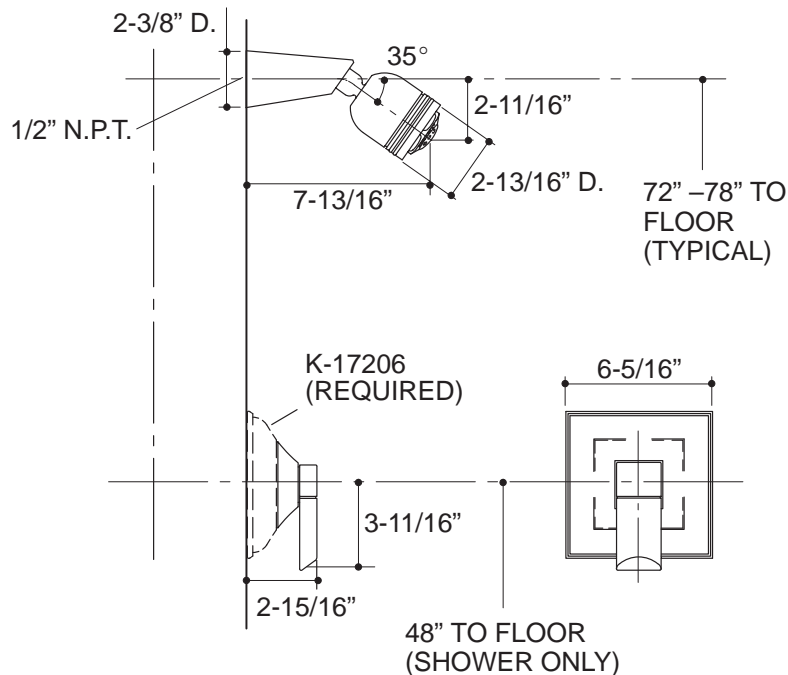
WARNING: Risk of damage to the K-306-KS valve assembly. When using the K-306-KS valve in a fiberglass or acrylic installation, use the thin wall installation kit (88526).

INSTALLATION NOTES

Avoid cross-flow conditions. Do not install shut-off device on either valve outlet.

Cap shower outlet if deck-mount spout, diverter, or handshower is connected to spout outlet.

Install straight pipe or tube drop of 7 to 18" with single elbow between valve and wall-mount spout.



PRODUCT DIAGRAM