

**LAVATORY DRAIN
K-7715**

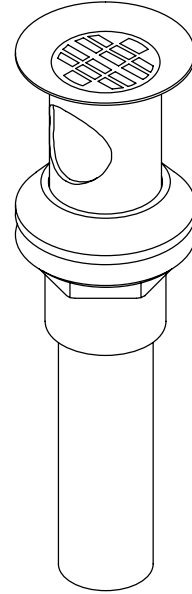
FEATURES

- Brass construction
- Grid drain
- 1-1/4" connection
- Brass tailpiece

CODES/STANDARDS APPLICABLE

Specified model meets or exceeds the following:

- ASME/ANSI A112.18.1M
- CSA B125
- IAPMO/UPC



COLORS/FINISHES

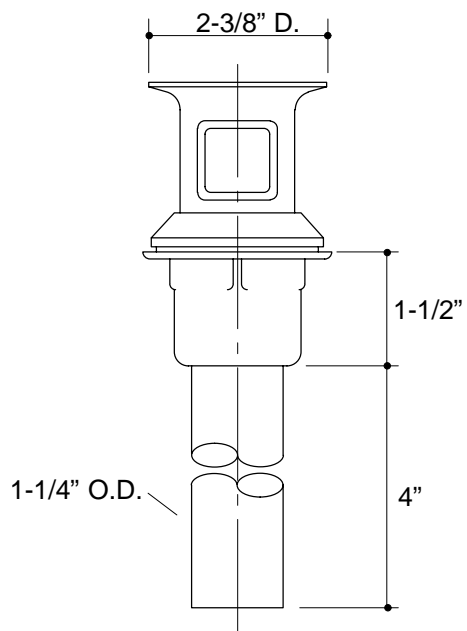
- CP Polished Chrome
- PB Polished Brass
- Other Refer to Faucets Price Book for additional finishes

SPECIFIED MODEL:

Model	Description	
K-7715	Lavatory Drain	<input type="checkbox"/> CP <input type="checkbox"/> PB <input type="checkbox"/> Other_____

PRODUCT SPECIFICATION:

Lavatory drain shall be of brass construction. Product shall feature grid drain, brass tailpiece, and 1-1/4" connection. Drain shall be Kohler Model K-7715-_____.



PRODUCT DIAGRAM