

**BATH AND SHOWER FAUCET  
K-15105-4**

**FEATURES**

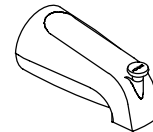
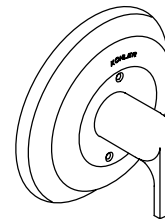
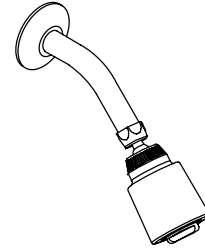
- Metal construction
- Brass valve body
- High-temperature limit stop
- Mixing valve cycles from “cold” to “hot”
- Available with 4-7/8” diverter bath spout with N.P.T. or slip-fit connection
- Lever handle

**CODES/STANDARDS APPLICABLE**

Specified model meets or exceeds the following:

- ASME/ANSI A112.18.1M
- Canadian Standards Association (CSA)
- IAPMO/UPC
- NSF 14

ADA

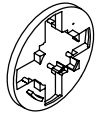


**COLORS/FINISHES**

- CP Polished Chrome

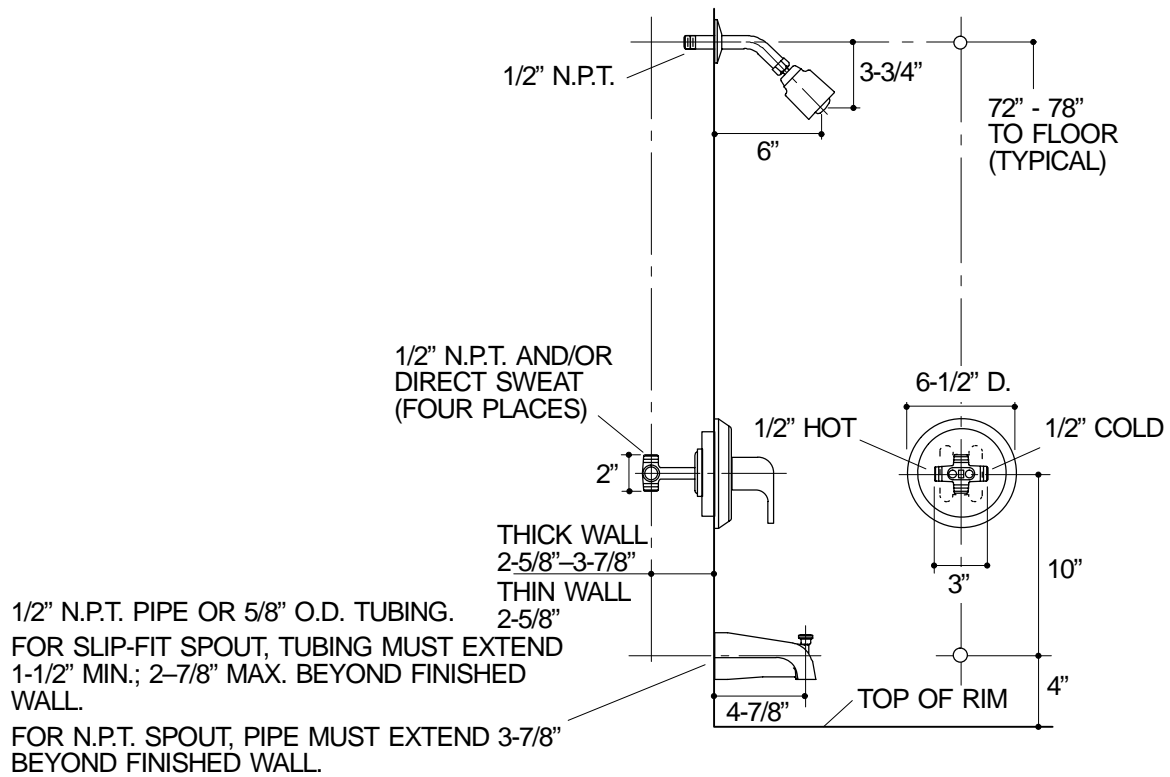
**SPECIFIED MODEL:**

Model	Description	
K-15105-4	With N.P.T. Diverter Bath Spout	<input type="checkbox"/> CP
K-15105-4S	With Slip-Fit Diverter Bath Spout	<input type="checkbox"/> CP

Optional Accessory		
K-15145	Fiberglass Installation Plate	<input type="checkbox"/> NA 

**PRODUCT SPECIFICATION:**

Non-pressure balancing single-control bath and shower faucet shall be of metal construction. Faucet shall feature a brass valve body. The valve shall mix the water from the “off” position, through the “cold” to the “hot”, and includes a high-temperature limit stop. Product shall include showerhead with arm and flange, faceplate with lever handle, and 4-7/8” diverter bath spout with N.P.T. or slip-fit connection. Faucet shall be Kohler Model K-15105-\_\_\_\_\_-CP.



332

**PRODUCT DIAGRAM**