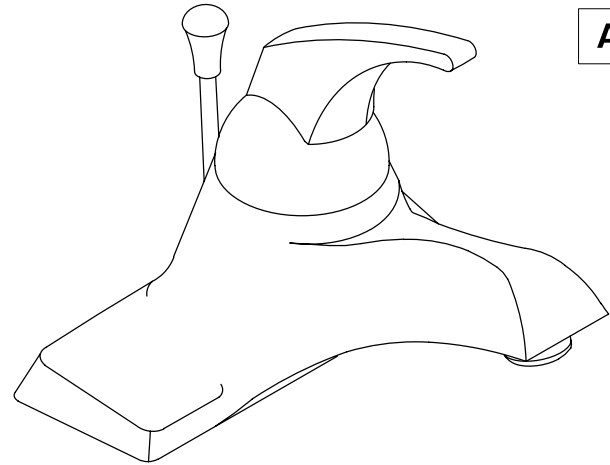


**LAVATORY FAUCET  
K-15182**

**FEATURES**

- Metal construction
- For 4" centers
- One-piece self-contained valve cartridge allows both volume and temperature control
- Temperature memory allowing faucet to be turned on and off at any temperature setting
- 4-5/8" spout
- Metal throatplate
- 2.0 gallons per minute
- Pop-up drain with lift rod and tailpiece
- Lever handle
- Includes matching finish handle cap
- Optional ground joints and 16" long supply tubes

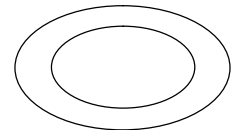


ADA

**CODES/STANDARDS APPLICABLE**

Specified model meets or exceeds the following:

- ASME/ANSI A112.18.1M
- California Energy Commission
- Canadian Standards Association (CSA)
- Energy Policy Act of 1992
- IAPMO/UPC
- NSF 14



**COLORS/FINISHES**

- CP Polished Chrome
- PB Polished Brass
- Other Refer to Faucets Price Book for additional finishes

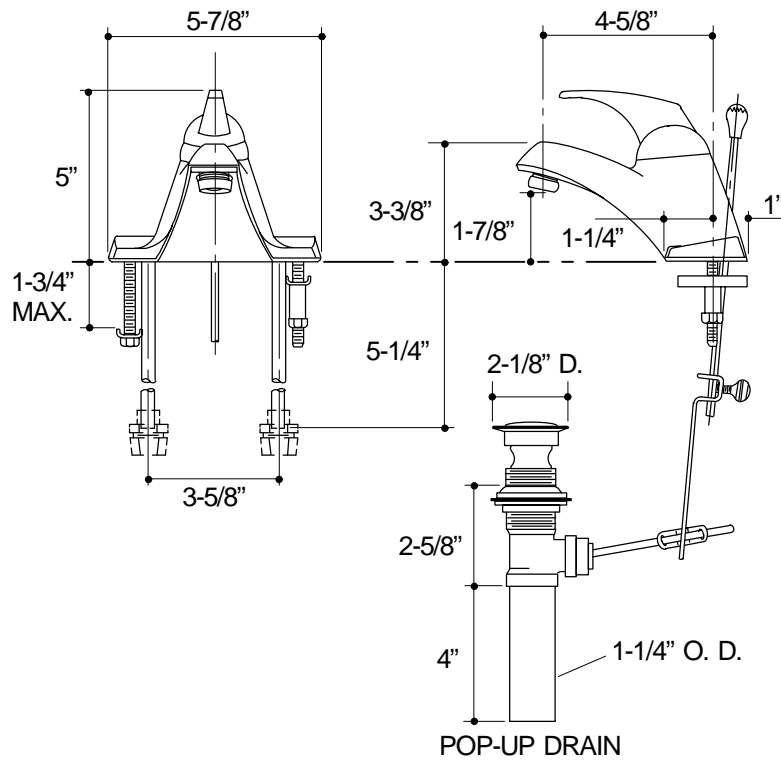
**SPECIFIED MODEL:**

Model	Description			
K-15182	Coralais Single-Control Centerset Lavatory Faucet	<input type="checkbox"/> CP	<input type="checkbox"/> PB	
K-15182-L	With 16" Long Supply Tubes	<input type="checkbox"/> CP		
K-15182-P	With Ground Joint Connections	<input type="checkbox"/> CP	<input type="checkbox"/> PB	<input type="checkbox"/> Other_____

Optional Accessory				
K-15180-A	Lever Handle Color Cap, Single	<input type="checkbox"/> CP	<input type="checkbox"/> PB	<input type="checkbox"/> Other_____

**PRODUCT SPECIFICATION:**

Single-control centerset lavatory faucet shall be of metal construction. The valve shall be a one-piece, self-contained valve cartridge, and allows both volume and temperature control. The valve shall feature temperature memory, allowing the faucet to be turned on and off at any temperature setting. Product shall include 4" centers, 4-5/8" spout, pop-up drain with lift rod and tailpiece, lever handle, and matching finish handle cap. Optional features shall be 16" long supply tubes or ground joint connections. Faucet shall be Kohler Model K-15182-\_\_\_\_-\_\_\_\_.



316

## PRODUCT DIAGRAM