

### Ordering Information

Applicable product:		
Left corner to wall	K-1313	not shown
Right corner to wall	K-1314	shown
Accessories/hardware:		
Drain	K-7161-AF	recommended
Apron (left corner bath)	K-1341	optional
Apron (right corner bath)	K-1342	optional
End panel/apron (L corner)	K-1345	optional
End panel/apron (R corner)	K-1347	optional

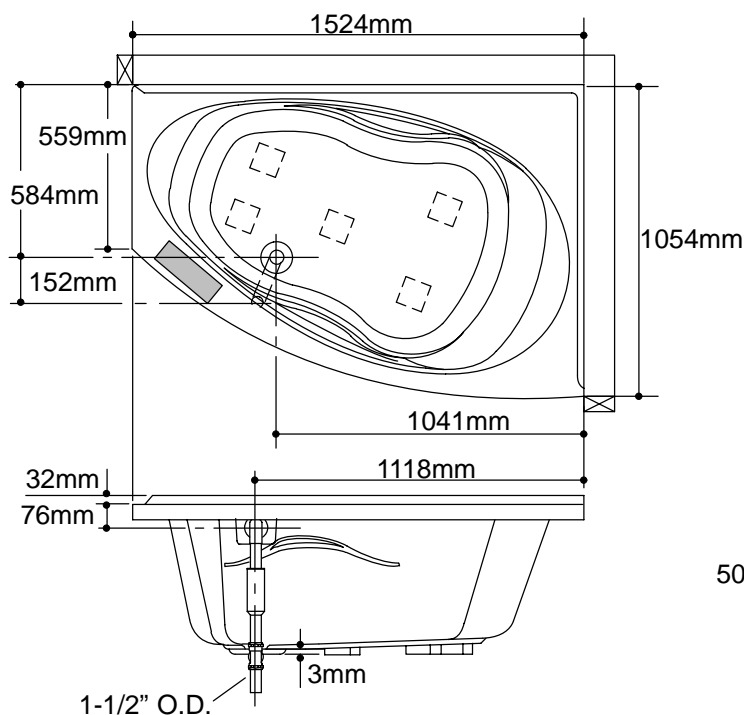
### Product Information

Fixture*:	basin area	top area	weight
Bathing well	1067 x 737mm	1321 x 813mm	36 Kg.
	water depth	capacity	
To overflow	381mm	257 litres	
* Approximate measurements for comparison only.			

### Installation Notes

Refer to installation instructions included with fixture before beginning installation.

If installing a rim-mount faucet, make sure there is no interference with drain overflow before drilling any holes. Consult local and national codes for minimum air gap requirements if installing a spout on the faucet deck.



532

<b>Roughing-In Notes</b>		
Fixture conforms to ANSI Standard Z124.1. All dimensions are nominal.		
No change in measurements if connected with drain illustrated.		
Locate studs to outside edges of unit for apron and end panel installation.		
Faucet area		recommended

