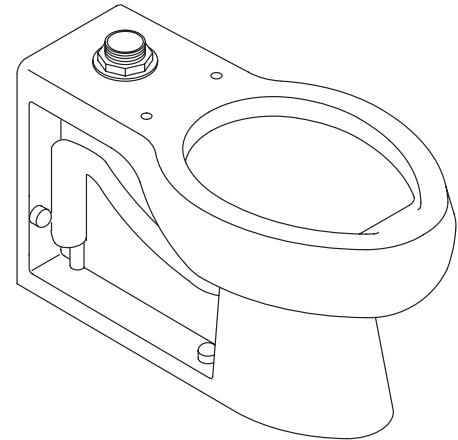


FEATURES

- 4-1/2" rough-in
- 1-1/2" top spud
- Vitreous china
- Elongated bowl
- 2-3/8" passageway
- 11" x 9-1/2" water area
- Angle back and wall outlet
- 1.6 gpf



CODES/STANDARDS APPLICABLE

Specified model meets or exceeds the following:

- ASME/ANSI A112.19.2M
- ASME/ANSI A112.19.6M
- Energy Policy Act of 1992 (EPACT)
- IAPMO/UPC

COLORS/FINISHES

- 0 White
- Other Refer to Fixtures Price Book for additional colors

Accessories:

- 0 White
- Other Refer to Fixtures Price Book for additional colors

SPECIFIED MODEL:

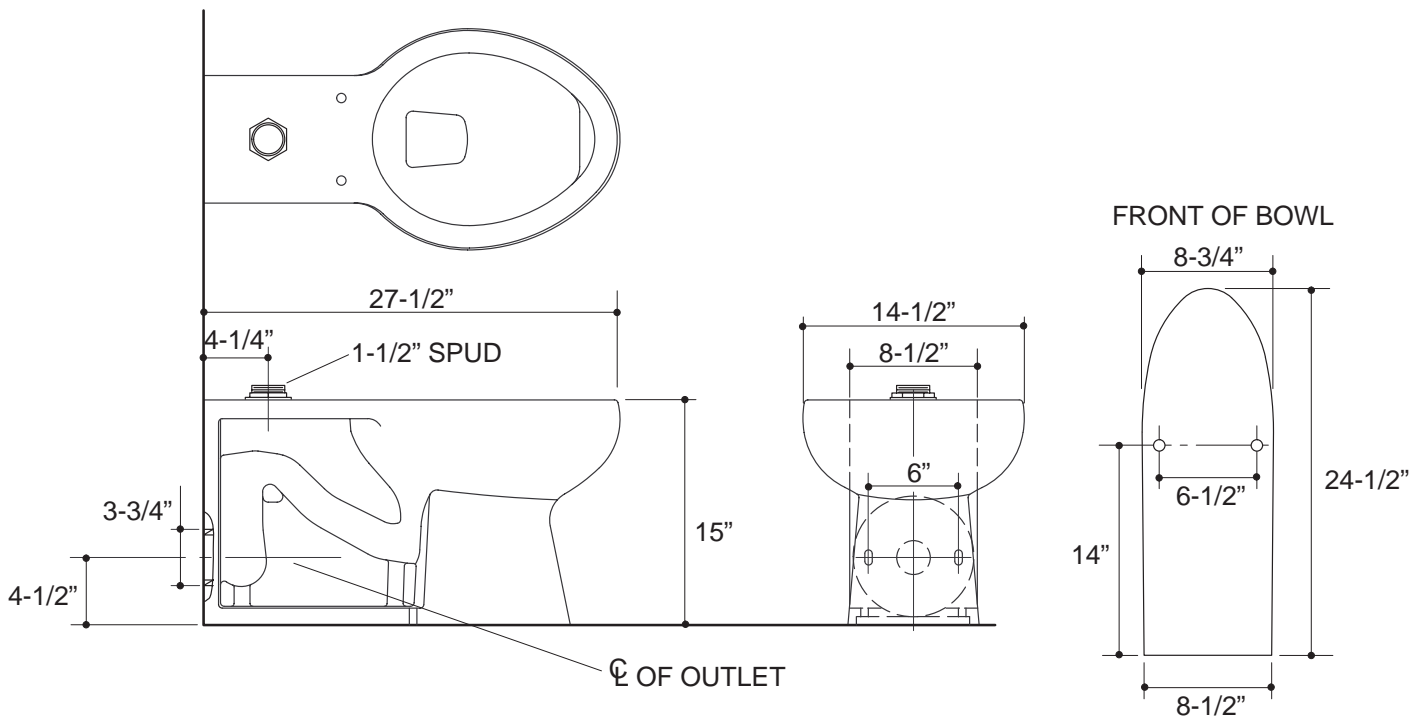
Model	Description	Colors/Finishes	
K-4386	Elongated bowl toilet	<input type="checkbox"/> 0 White	<input type="checkbox"/> Other _____
Recommended Accessories			
K-4670-C	Lustra™ open front seat	<input type="checkbox"/> 0 White	<input type="checkbox"/> Other _____
K-4670-CA	Lustra™ open front seat (with anti-microbial agent)	<input type="checkbox"/> 0 White	

PRODUCT SPECIFICATION:

The elongated bowl shall be 4-1/2" rough-in with 1-1/2" top spud. Bowl shall be made of vitreous china. Bowl shall be 1.6 gpf. Bowl shall have a 2-3/8" passageway. Bowl shall have 11" x 9-1/2" water area. Bowl shall have angle back and wall outlet. Bowl shall be Kohler Model K-4386-_____.

PRODUCT INFORMATION

Fixture:	
Configuration	Top spud, elongated
Gallons per flush	1.6 gallons*
Spud size	1-1/2"
Passageway	2-3/8"
Water area	11" x 9-1/2"
Water depth from rim	5-1/4"
Seat post hole centers	5-1/2"
* Designed to flush with 1.6 gallons of water when installed with a 1.6 gpf valve.	
Included Components:	
Spud	18357
Bolt caps (pr.)	52048
Floor screws (pr.)	21402
Flush valve requirements: Refer to manufacturer and local codes.	



1.25>116

PRODUCT DIAGRAM