

## Ordering Information

Accessories/hardware:		
Jet trim kit	K-9698	required
Drain	K-7161-AF	recommended

## Required Electrical Service

Dedicated circuit required, protected with Class A Ground-Fault Circuit-Interrupter (GFCI):	
Pump/control	120 V., 20 A., 60 Hz

## Product Information

Fixture*:	basin area	top area	weight		
Bathing well	1219 x 686mm	1524 x 762mm	58 Kg.		
	water depth	capacity			
To overflow	406mm	356 litres.			
* Approximate measurements for comparison only.					
Pump:	high HP	low HP	V	Hz	A
2-speed	1	1/8	120	60	16.5

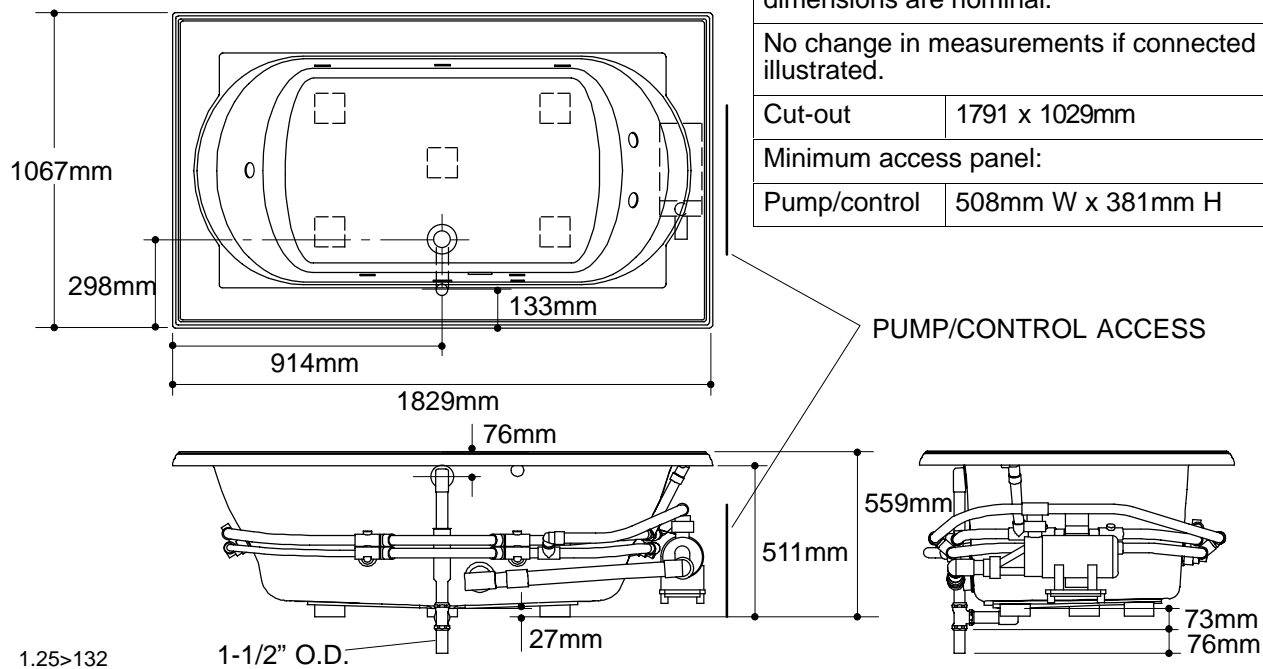
## Installation Notes

Refer to installation instructions included with fixture before beginning installation.

If installing a rim-mount faucet, make sure there is no interference with drain overflow and circulating system before drilling any holes. Consult local and national codes for minimum air gap requirements if installing a spout on the faucet deck.

Pump is supplied with a grounding type plug-in cord. Locate the outlet behind the whirlpool, and within 610mm of the pump.

This whirlpool is designed for drop-in installation only. It is not suited for use in a three wall alcove with an overhead shower.



### Roughing-In Notes

Fixture conforms to ANSI Standard Z124.1. All dimensions are nominal.

No change in measurements if connected with drain illustrated.

Cut-out 1791 x 1029mm

Minimum access panel:

Pump/control 508mm W x 381mm H required

1.25>132

1-1/2" O.D.