

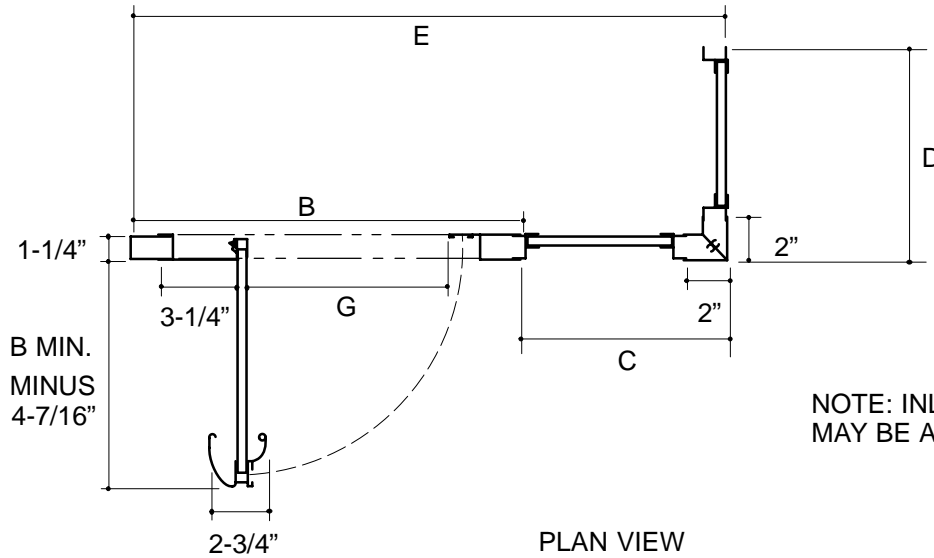
Ordering Information

Applicable product:

Reference models and measurements below.

Installation Notes

Refer to installation instructions included with fixture before beginning installation.



NOTE: INLINE AND RETURN PANEL
MAY BE ATTACHED ON EITHER SIDE.

Roughing-In Notes	A	B	C	D	E	G (MAX.)
K-781200	60"-72"	26"-36"	10"-36"	10"-50"	36"-72"	18"-28"
Custom						
R-Specified when ordered-MAX. 52".						

