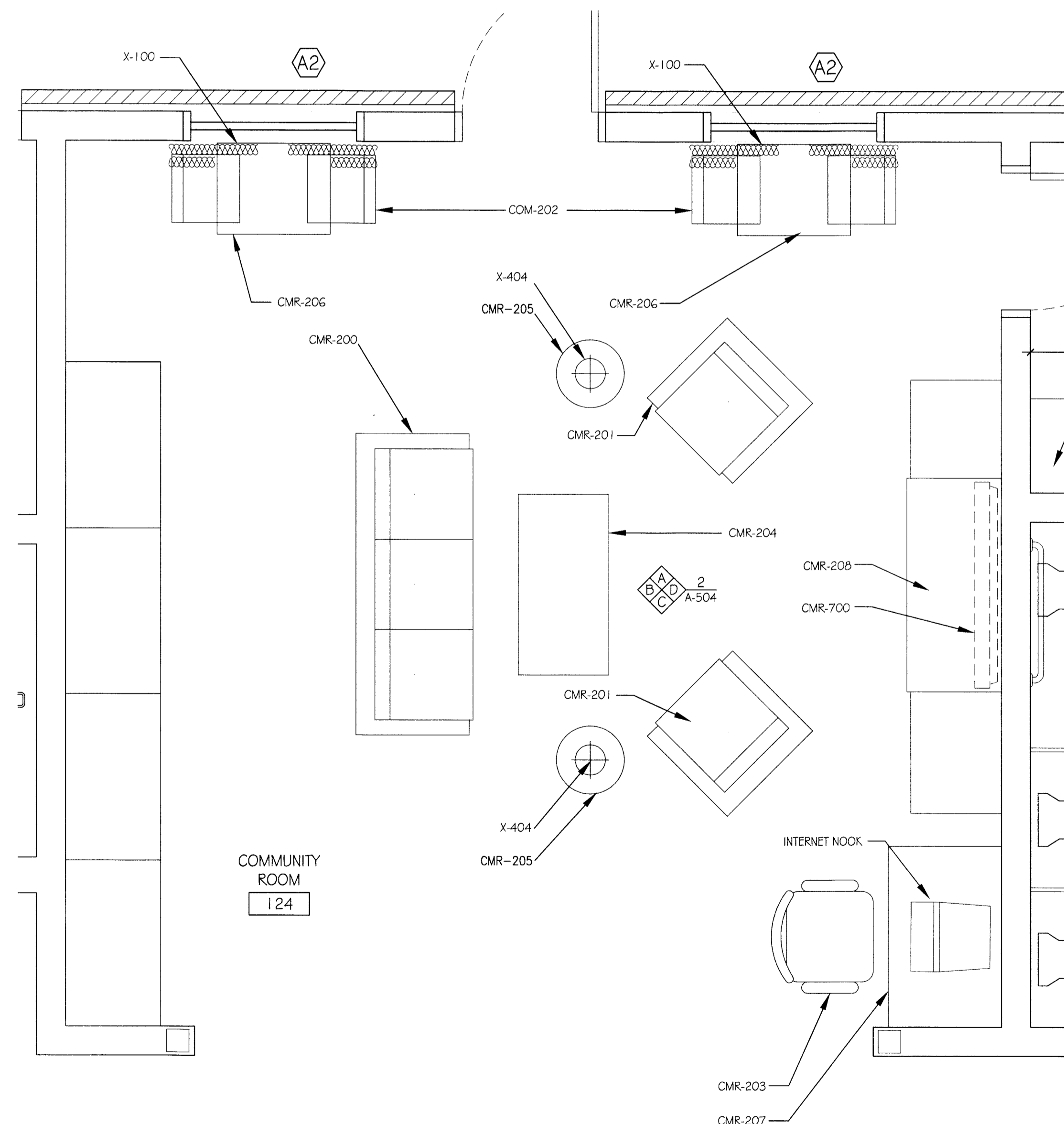


2 INTERIOR ELEVATIONS
SCALE: 1/2"=1'-0"

COMMUNITY ROOM AREA

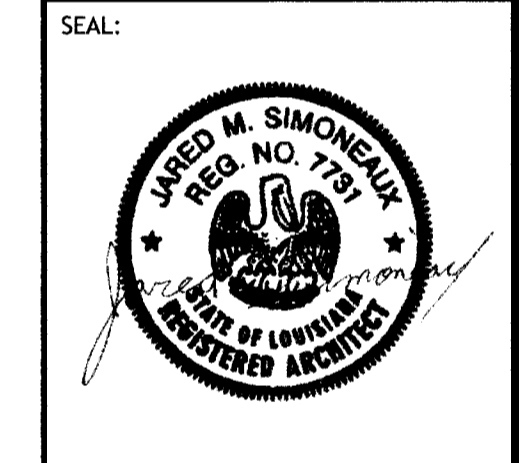
NOTE: SEE MAINSTAY SUITES PROTOTYPE DRAWINGS & SPECIFICATIONS FOR FINISH SCHEDULES & LEGENDS FOR EQUIPMENT & MATERIAL CONTROL NO.'S



1 ENLARGED PLAN
SCALE: 1/2"=1'-0"

COMMUNITY ROOM AREA

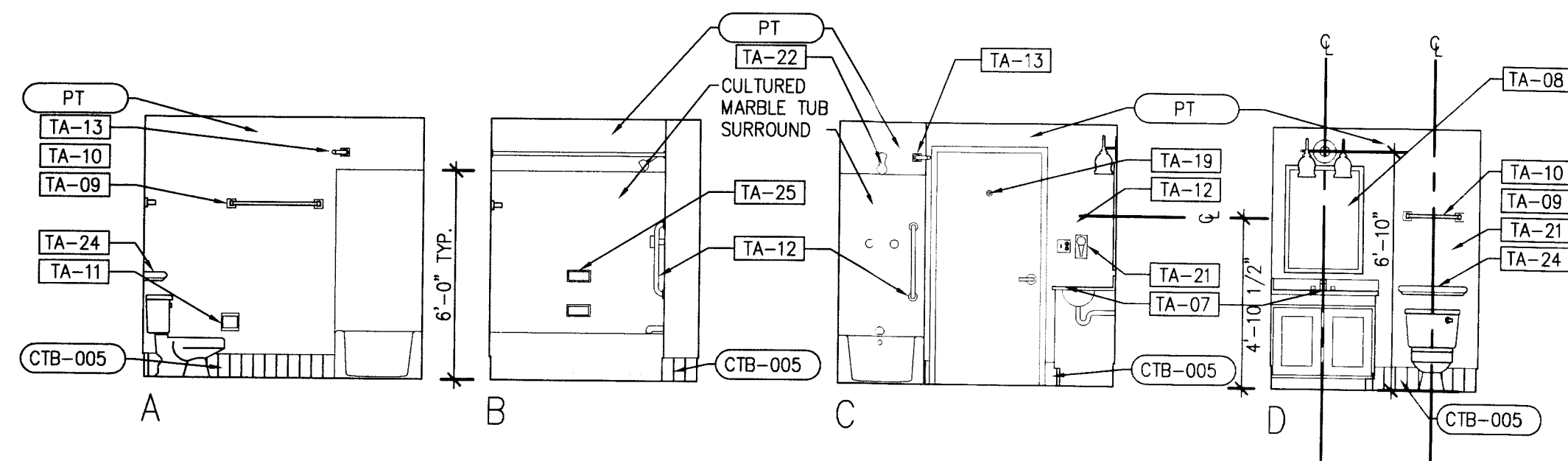
#	DESCRIPTION	DATE



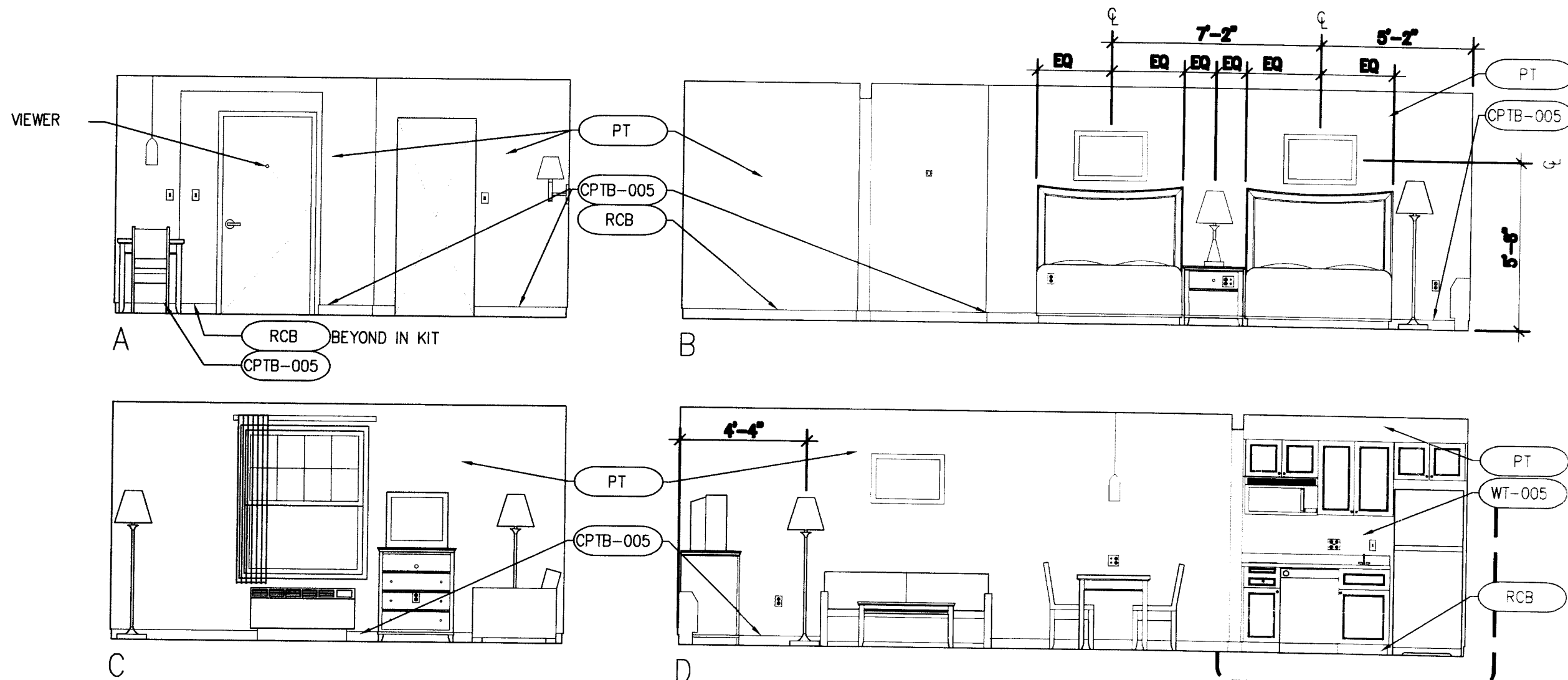
MAINSTAY SUITES
100 MAIN STREET
HACKBERRY, LA 70645
JOB No: 2265 DATE: FEBRUARY, 2016
DRAWN BY: JTL CHECKED BY: JMS

SHEET TITLE:
ENLARGED FLOOR PLAN & INTERIOR ELEVATIONS FOR THE COMMUNITY ROOM

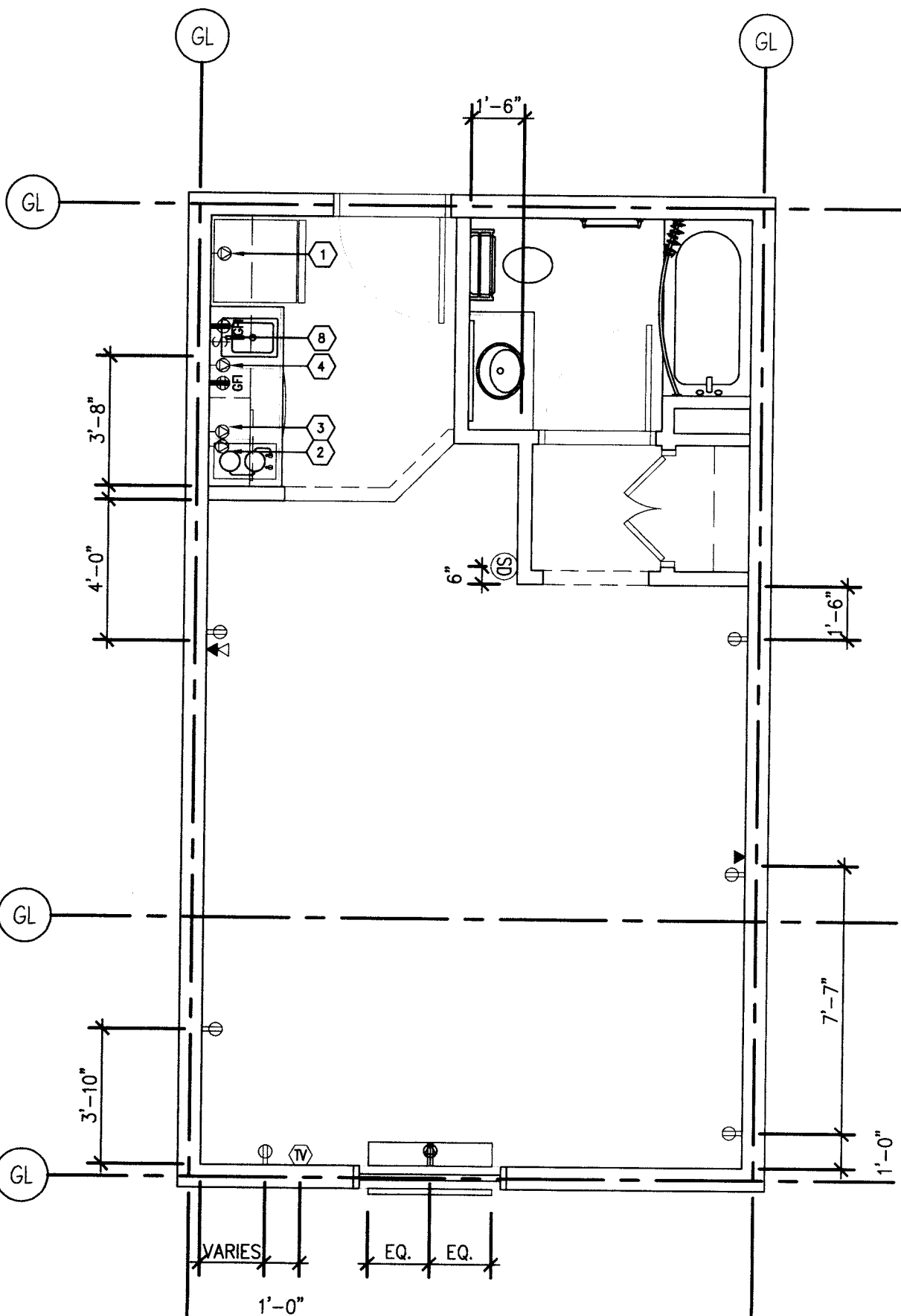
DRAWING NUMBER:
A304
SHEET No: 28 of 52



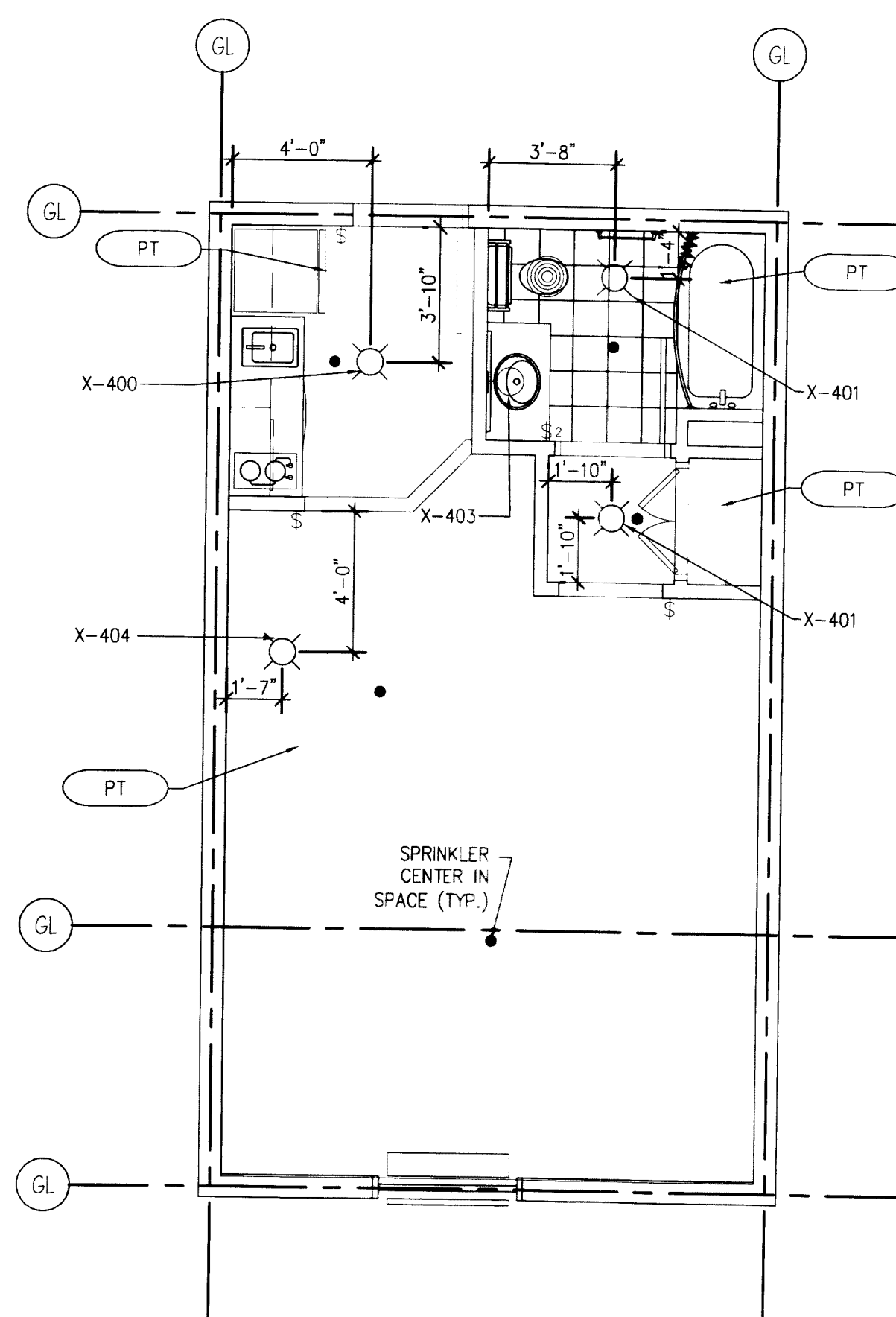
6 INTERIOR ELEVATIONS
SCALE: 1/4"=1'-0"



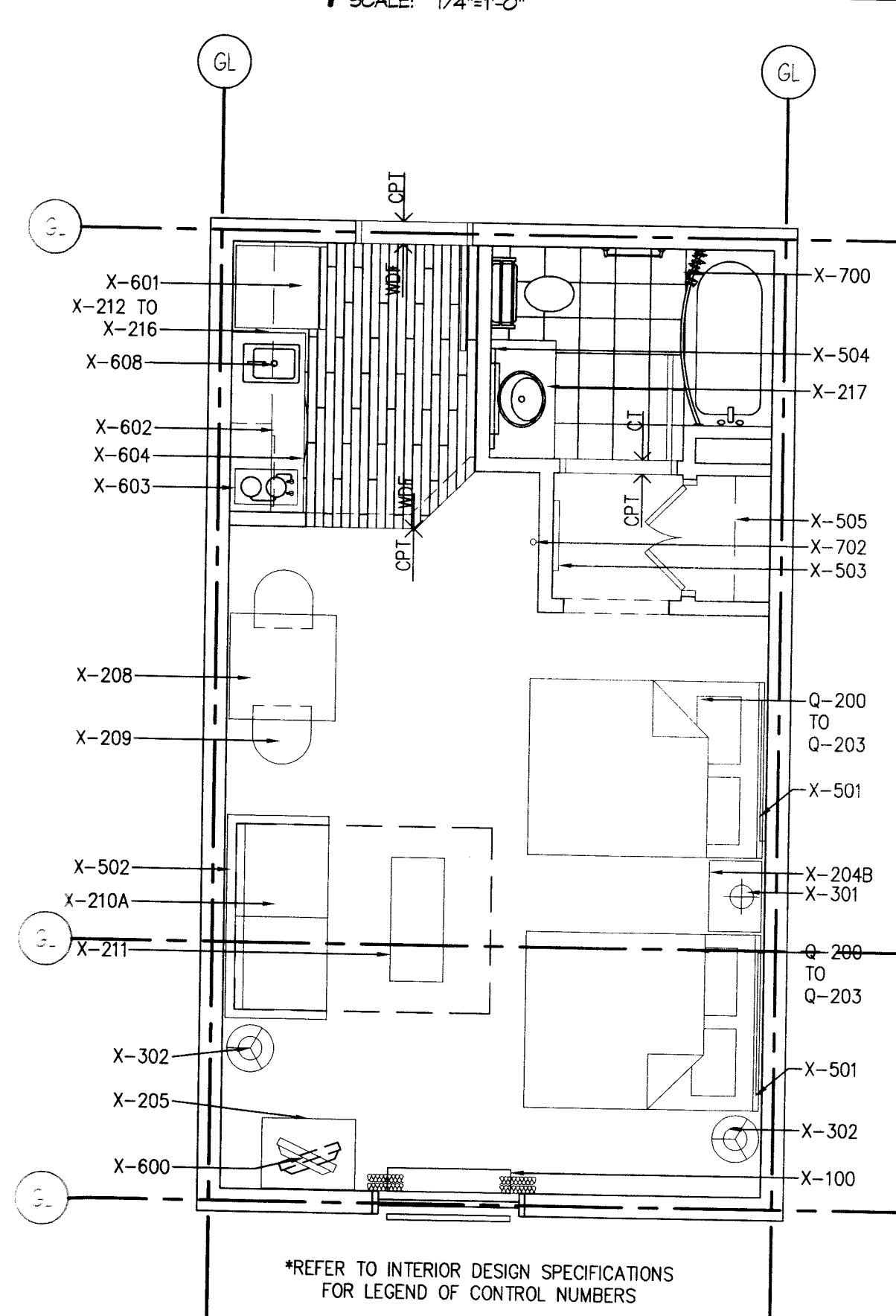
5 INTERIOR ELEVATIONS
SCALE: 1/4"=1'-0"



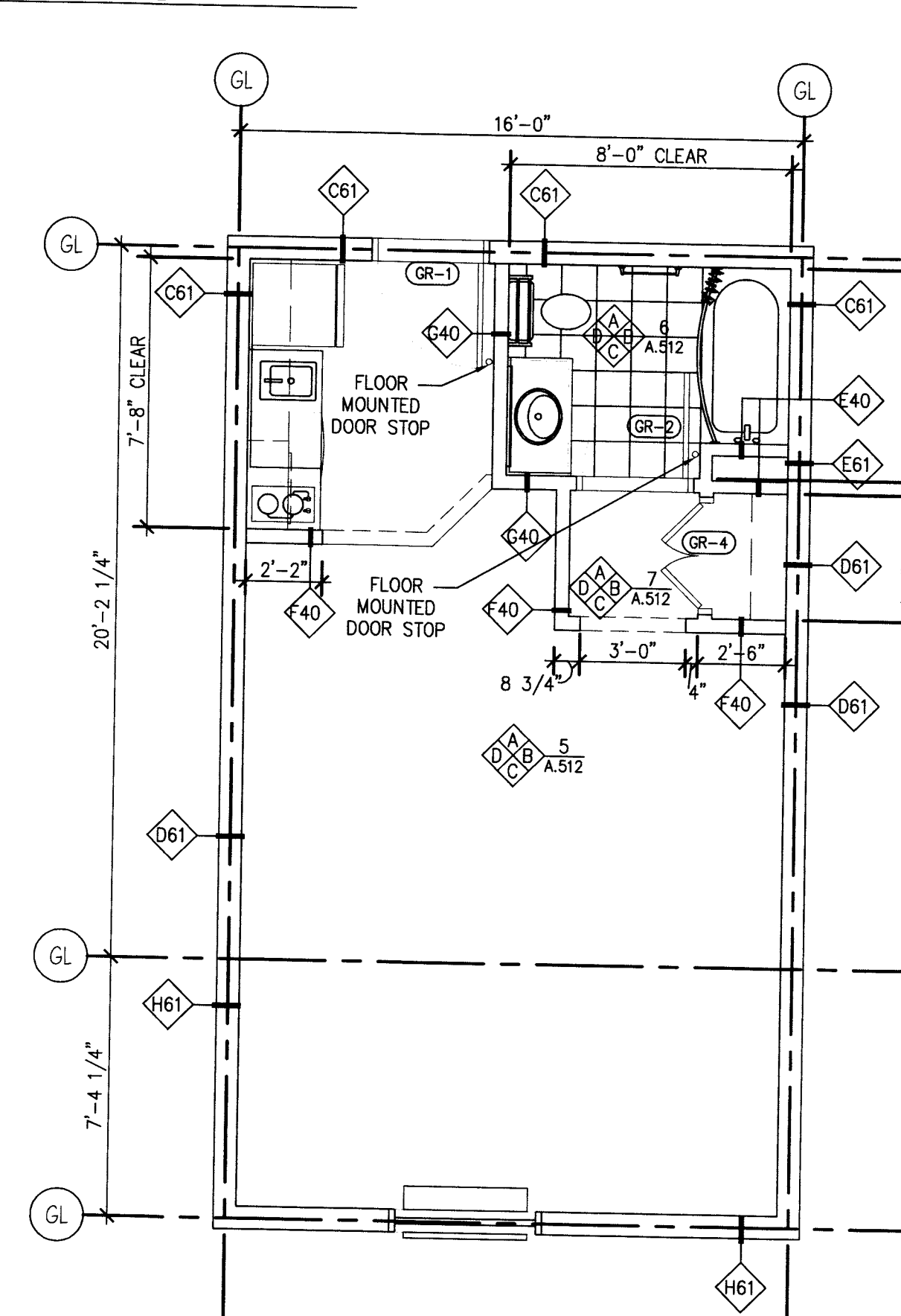
4 ELECTRICAL PLAN
SCALE: 1/4"=1'-0"



3 REFLECTED CEILING PLAN
SCALE: 1/4"=1'-0"



2 FLOOR FINISH/FFE PLAN
SCALE: 1/4"=1'-0"



1 ARCHITECTURAL FLOOR PLAN
SCALE: 1/4"=1'-0"

GUESTROOM GENERAL NOTES

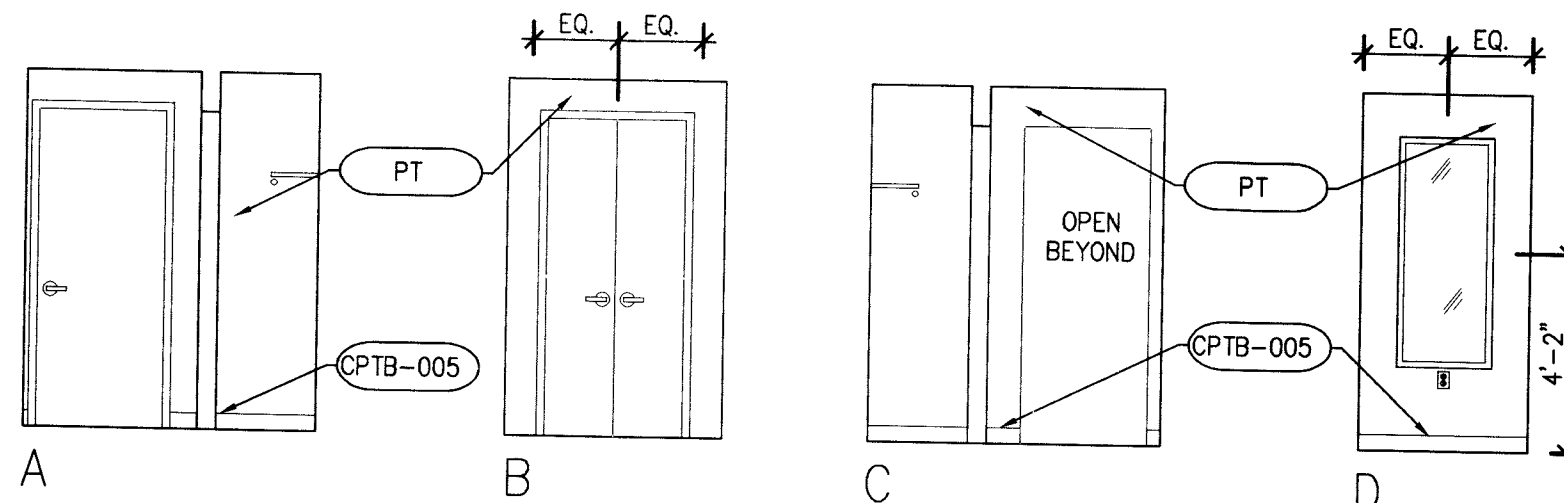
- REFER TO 1/8" FLOOR PLANS FOR OVERALL GUESTROOM AND WINDOW DIMENSIONS, UNO.
- GRID LINES ARE LOCATED AT THE CENTERLINE OF STUDS.
- OVERALL ROOM DIMENSIONS ARE FROM CENTERLINE OF STUD TO CENTERLINE OF STUD. INTERIOR DIMENSIONS ARE FROM FACE OF FINISH TO FACE OF FINISH, UNO.
- FOR DETAILED ELEVATIONS & SECTIONS OF KITCHEN CABINETS, BATHROOM CABINET, & DRESSING ROOM CLOSET SYSTEM, REFER TO SHEET A.702, A.703.
- PLUMBING CHASE SHALL HAVE A FIRESTOP AT EACH FLOOR.
- MAINTAIN, BY CODE, MINIMUM REQUIRED SEPARATION BETWEEN GUESTROOMS AT PLUMBING CHASE WALLS.

GUESTROOM CEILING NOTES

- TYPICAL CEILING FINISH HEIGHT SHALL BE 8'-0" CLEAR AFF (FLOORS 1 THROUGH 3), UNO, 9'-0" FOURTH FLOOR HEIGHT.
- TYPICAL CEILING FINISH HEIGHT FOR BATHROOMS AND DRESSING ROOMS SHALL BE 7'-6" CLEAR AFF, UNO.
- TYPICAL CEILING FINISH FOR BEDROOMS, LIVING ROOMS, AND DRESSING ROOMS SHALL BE TEXTURED PAINTED GYP BD, UNO.
- TYPICAL CEILING FINISH FOR BATHROOMS AND KITCHENS SHALL BE SMOOTH PAINTED GYP BD, UNO.
- SOFFITS SHALL BE SMOOTH PAINTED FINISH ON GYP BD.
- CENTER SINGLE SURFACE MOUNTED LIGHT FIXTURES IN CEILING, UNO.
- CENTER SPRINKLER HEADS IN SPACES.

AREA	WALLS	TRIMS	DOORS	FLOORS	COMMENT	BASE	CEILING	OTHER
GUESTROOM	VYL-005	PT-005	PT-005	CPT-005	USE CPAD-005	CPTB-005		
KITCHEN	VYL-005			WDF-005		RCB-005		
BATHROOM	VYL-006	PT-005	PT-005	CT-005		CTB-005		

GENERAL FINISH NOTE: REFER TO RCP FOR CEILING FINISH, REFER TO FFE PLAN FOR FLOOR FINISH, REFER TO INTERIOR ELEVATIONS FOR WALL FINISH.



7 INTERIOR ELEVATIONS
SCALE: 1/4"=1'-0"

LIGHT & POWER SYMBOLS LEGEND

	CEILING MOUNTED LIGHT FIXTURE
	PENDANT LIGHT FIXTURE
	FLOOR LAMP
	DESK/TABLE LAMP
	SMOKE DETECTOR
	DOOR BELL W/ LIGHT (HEARING IMPAIRED ROOMS)
	CABLE TV CONNECTION
	TELEPHONE CONNECTION
	COMPUTER/DATA OUTLET
	THERMOSTAT
	EXHAUST FAN
	DUPLEX RECEPTACLE
	QUADPLEX RECEPTACLE
	G.F.I. RECEPTACLE
	SPECIAL RECEPTACLE
	PTAC RECEPTACLE
	DUPLEX RECEPTACLE & TELEPHONE OUTLET W/ COMMON PLATE
	DUPLEX RECEPTACLE, TEL/COMP DATA OUTLET WITH COMMON PLATE
	GFI RECEPTACLE/SINGLE POLE SWITCH WITH COMMON PLATE
	SINGLE POLE SWITCH
	DOUBLE POLE SWITCH
	THREE WAY SWITCH
	FOUR WAY SWITCH
	WALL MOUNTED OCCUPANCY SENSOR W/ SWITCH

TOILET & BATH ACCESSORY SCHEDULE

ITEM#	DESCRIPTION	LOC.
TA-05	TOILET	PRR, GR, ADA GR
TA-06	CONTINUOUS TOILET GRAB BAR (SURFACE MOUNTED)	GR #, ADA GR
TA-07	SINK / CASEWORK (MOUNTING HEIGHT)	GR #, ADA GR
TA-08	MIRROR, SURFACE MOUNTED (BOTTOM @ 40" AFF)	GR #, ADA GR
TA-09	TOWEL BAR (24" @ 54" AFF 24" @ 42") SURFACE MOUNTED	GR #, ADA GR
TA-10	TOWEL BAR (16" @ 54" AFF) SURFACE MOUNTED	GR #, ADA GR
TA-11	TOILET TISSUE DISPENSER (SINGLE ROLL / RECESSED)	PRR, GR #, ADA GR
TA-12	TUB GRAB BAR, SURFACE MOUNTED (NON-HANDICAPPED)	GR
TA-13	CURVED SHOWER CURTAIN ROD, SURFACE MOUNTED, (MOUNTING HEIGHT = SEE SCHEDULE)	GR #, ADA GR
TA-14	FOLDING SHOWER SEAT, SURFACE MOUNTED	ADA GR
TA-15	12" TUB GRAB BAR (HEAD END, SURFACE MTD)	ADA GR
TA-16	24" TUB GRAB BAR, 2 REQ'D (SIDE WALL, SURFACE MTD)	ADA GR
TA-17	24" TUB GRAB BAR (DRAIN END, SURFACE MTD)	ADA GR
TA-18	SHOWER GRAB BARS SURFACE MOUNTED	ADA GR
TA-19	ROBE/COAT HOOK	GR
TA-20	ROBE/COAT HOOK 48"	ADA GR
TA-21	HAIR DRYER	GR #, ADA GR
TA-22	SHWR HEAD & CONTROLS (MOUNTING HEIGHT = SEE SCHED)	GR
TA-23	SHWR HEAD & CONTROLS (MOUNTING HEIGHT = SEE SCHED)	ADA GR
TA-24	CULTURED SHELF 24"	GR
TA-25	SOAP DISH 42"	GR #, ACC GR

TOILET/BATH ACCESSORY NOTES:

- PRR = PUBLIC RESTROOM
- GR = GUESTROOM
- ADA GR = ACCESSIBLE GUESTROOM

DAMMON ENGINEERING, INC.
LOUISIANA & MISSISSIPPI
www.dammonengineering.com
info@dammonengineering.com
100 Old Spanish Trail
Shreveport, LA 71208
PH: 985.649.5832 F: 985.641.5950

DATE	REVISIONS	#	DESCRIPTION



STAY SUITES
100 MAIN STREET
LOT #1 LA HWY 21
HACKBERRY, LA 70645
JOB NO: 2265 DATE: FEBRUARY, 2016
DRAWN BY: JTL CHECKED BY: JMS
SHEET TITLE: DOUBLE QUEEN SUITE DETAILS
DRAWING NUMBER:
A309
SHEET No: 39 of 52

