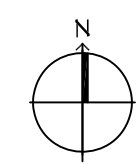
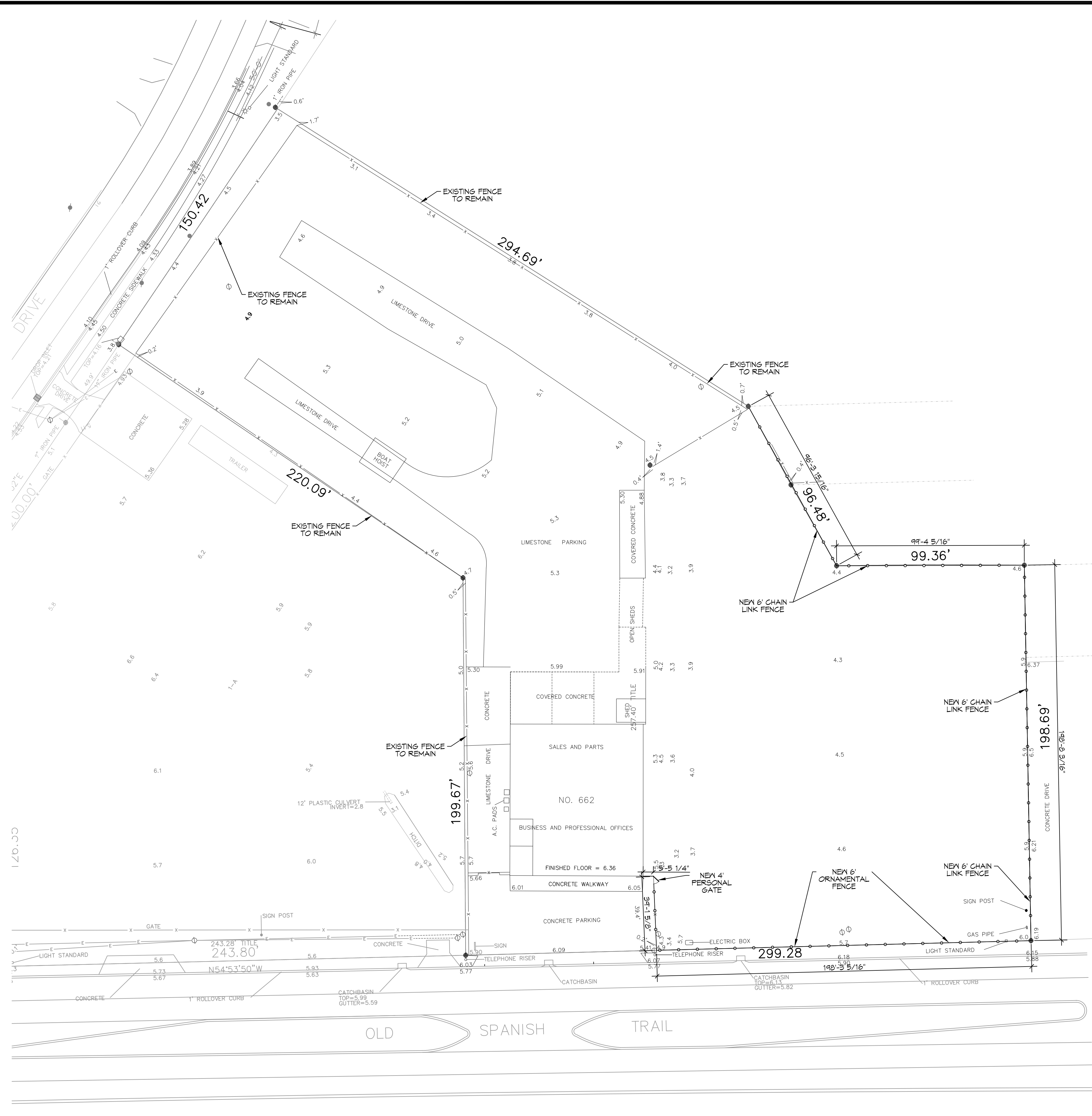
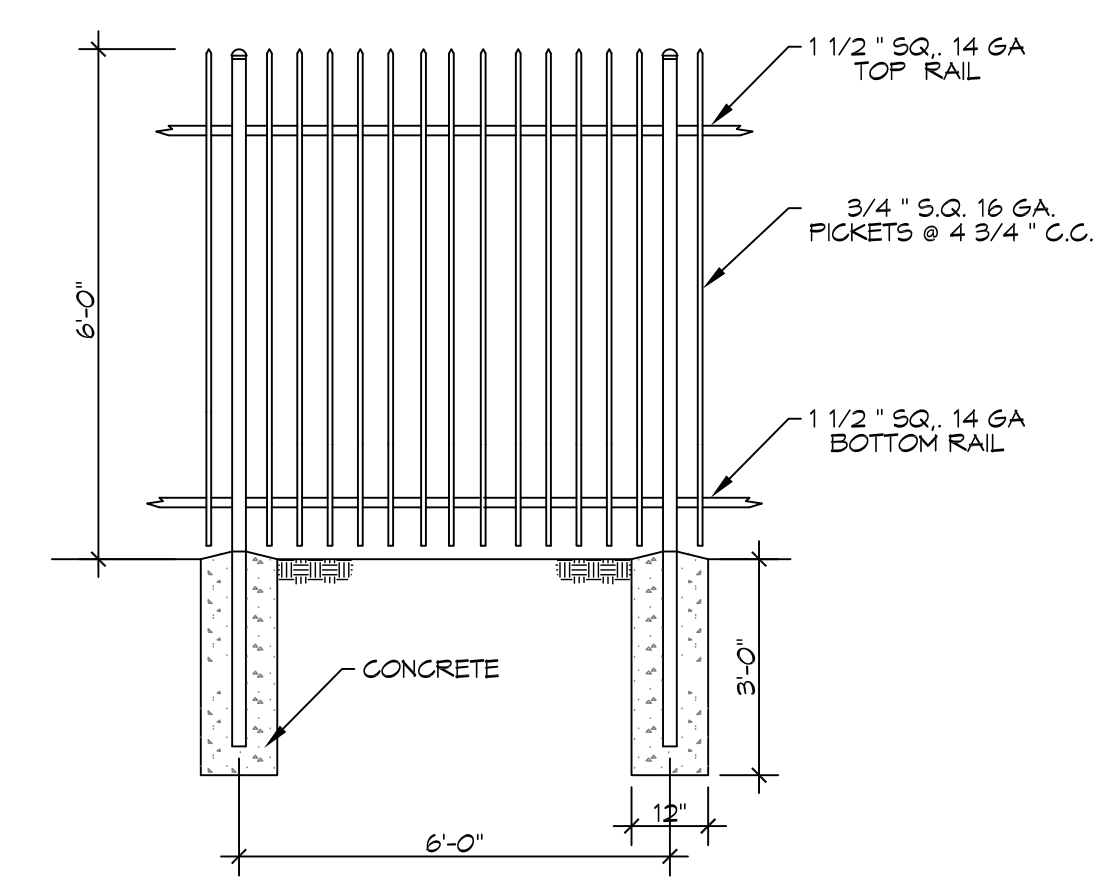


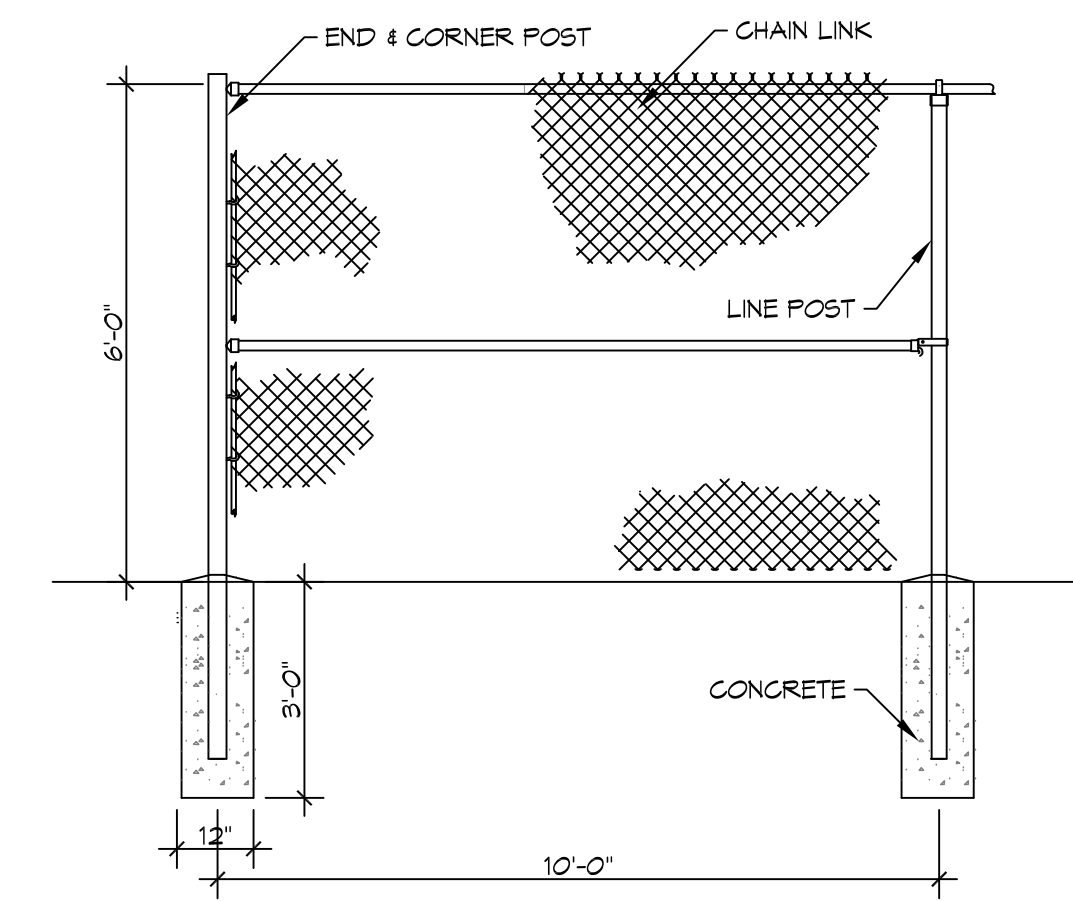
FILE NAME: J:\Projects\662\662.dwg DATE: 06-04-2026 10:00 AM



**PROPOSED FENCE SITE PLAN**  
SCALE: 1" = 30'-0"



**ORNAMENTAL IRON FENCE**  
SCALE: 3/8" = 1'-0"



**CHAIN LINK FENCE**  
SCALE: 3/8" = 1'-0"

**DAMMON**  
**ENGINEERING, INC.**  
 LOUISIANA & MISSISSIPPI

Chief Engineer: Brian Miltch, PE  
 554 Old Spanish Trail  
 Slidell, LA 70468  
 www.dammonengineering.com  
 info@dammonengineering.com  
 PH: 985.649.5832

#	DESCRIPTION	DATE

SEAL:

**SITE LAYOUT**  
**BOAT STUFF**

662 OLD SPANISH TRAIL  
 SLIDELL, LA 70468

JOB No: 2026 DATE: 06-04-2026  
 DRAWN BY: JMS CHECKED BY: JMS

SHEET TITLE:  
 PROPOSED FENCE SITE PLAN

DRAWING NUMBER:

**C101**

SHEET No: 1 of 1