

DAMMON

ENGINEERING, INC.

554 Old Spanish Trail
Slidell, LA 70458
985.649.5832

www.dammonengineering.com
info@dammonengineering.com

Architects & Engineers

SHOP DRAWING and SAMPLE TRANSMITTAL

DATE: 05/12/2026

TO: Dynamic Constructors
1028 Market St.
Metairie, La. 70003
Jeffrey R. Hymel, Jr. (Jeff)

FROM: Chuck Dammon

SUBMITTAL No.: 104413

REFERENCE: Fire Station #10

DE Project: 2519

WE TRANSMIT:

enclosed under separate cover _____

FOR YOUR:

use record approval
 review and comment information drafting

THE FOLLOWING:

drawing(s) contracts specifications
 shop drawings samples change order(s)
 product information warranty substitution request

# COPIES	DESCRIPTION	ACTION
Electronic	Fire Extinguishers	A

ACTION CODES:

- | | | | |
|----|---------------------------|----|---|
| A. | Reviewed/No Exceptions | D. | No Action Required |
| B. | Reviewed/Exceptions Noted | E. | For Signature and Return to this Office |
| C. | Revise and Resubmit | F. | See Remarks Below |
| G. | Rejected | | |

REMARKS:

Fire Extinguishers

COPIES TO: File



Document G810™ - 2001

SHOP DRAWING / SUBMITTAL REVIEW

- REVIEWED
- REVIEWED AS NOTED
- REVISE AND RESUBMIT
- REJECTED

Project No.: 2519 Submittal No.: _____

Corrections or comments made on the shop drawings during this review do not relieve the contractor from compliance with requirements of the drawings and specifications. This check is only for review of the general conformance with the design concept of the project and general compliance with the information given in the contract documents. This contractor is responsible for: confirming and correlating all quantities and dimensions; selecting fabrication processes and techniques of construction; coordinating his or her work with that and other trades and performing all in a safe and satisfactory manner.

By: Chuck Dammon Date: 05-12-26

DAMMON ENGINEERING, INC.
Slidell, LA

Transmittal Letter

PROJECT: (Name and address)

St. Tammany Fire Protection District No.1 - Fire Station #10
2745 Lakeshore Vista Blvd
Slidell, Louisiana 70461

TO: (Name and address)

Dammon Engineering Inc.
554 Old Spanish Trail
Slidell, LA 70458

FROM: (Name and address)

Dynamic Constructors, LLC
1028 Market St.
Metairie, LA 70003
Jeffrey R. Hymel, Jr. (Jeff)

Werco Building Specialties, Inc.
9445 Lindale Ave.
Baton Rouge, LA 70895
104413 Fire Protection Cabinets
104416 Fire Extinguishers

WE TRANSMIT:

VIA:

FOR:

THE FOLLOWING:

- Attached
- Overnight delivery
- Courier
- Approval / Action
- Comment
- Drawings
- Submittals
- Under separate cover
- Mail
- Fax
- Information
- Distribution
- Specifications
- Other
- E-mail
- Other
- Use as requested
- Other
- Digital Files

NO. OF COPIES	DATE	FORMAT	DESCRIPTION
1	5.12.26	PDF	SUBMITTALS

REMARKS:

For review and approval.

BY:

Dynamic Constructors, LLC, Georgia Barrett

COPIES TO:

Dammon Engineering Inc., Chuck Dammon

104413

FIRE PROTECTION CABINETS

1.2 ACTION SUBMITTALS

A. PRODUCT DATA

B. SHOP DRAWINGS

104416

FIRE EXTINGUISHERS

1.2 ACTION SUBMITTALS

A. PRODUCT DATA

FIRE EXTINGUISHERS - COSMIC MULTI PURPOSE DRY CHEMICAL - C - Portable Handheld

ABC dry chemical is a multipurpose extinguishing agent that is suitable for use in offices, classrooms, churches, parking garages and retail. Not recommended for use on sensitive electronic equipment.



CLASS A FIRES
Common Combustibles



CLASS B FIRES
Flammable Liquids and Gases



CLASS C FIRES
Energized Electrical Equipment

SPECIFICATIONS:

These units contain specially fluidized and siliconized mono ammonium phosphate powder, which smothers and breaks the chain reaction on Class B fires, fuses and insulates Class A fires and is a non-conductor of electricity. Non-toxic.

Conforms to Test Standards: CAN/ULC-S504 — ANSI/UL299 & CAN/ULC S508 — ANSI/UL711

Operation: Squeeze the lever, which opens the valve, allowing the chemical to be forced out. Upright squeeze grip operation.

Temperature Range: -65° F (-53° C) to 120° F (49° C)

Construction: Heavy-duty steel cylinder with siphon tube, replaceable molded valve stem seal, visual pressure gauge, pull pin and upright squeeze grip. Corrosion and impact-resistant powder coat finish.

Valve Material: Aluminum

QTY: (3) Three, Tagged LA

All units meet the current requirements established by the National Fire Protection Association (NFPA) for NFPA10 "Standard for Portable Fire Extinguishers", and any other applicable NFPA standards. Tested and listed by UL to meet construction and performance standards for this type of extinguisher, and can be used where required by local codes such as OSHA.

Qty.	Model	Type	Valve	Nominal Capacity	Shipping Weight	Cylinder Dia.	Overall Height	Overall Width	Shipping Vol.	UL Rating ^(UL)	Optional Mounting Bracket	USCG Approved
3	Cosmic 2-1/2E* (FE02C)			2-1/2 lbs.	5-1/2 lbs.	3-3/8"	15-1/2"	5-3/4"	.2 cu.ft.	1A-10B:C	MB817C*	YES
	Cosmic 5E (FE05C)		Aluminum	5 lbs.	10 lbs.	4-1/4"	16-3/8"	7-1/4"	.35 cu.ft.	3A-40B:C	MB818C	YES
	Cosmic 5B* (FE05BC)			5 lbs.	10 lbs.	4-1/4"	16-3/8"	7-1/4"	.35 cu.ft.	3A-40B:C	MB818C*	YES
	Cosmic 10E (FE10C)	ABC Dry Chemical		10 lbs.	18-1/4" lbs.	5-1/2"	21"	7-3/4"	.65 cu.ft.	4A-80B:C	MB846C	YES
	Cosmic 20E (FE20C)			20 lbs.	33-1/2 lbs.	7-1/2"	21-1/4"	8-3/4"	1.0 cu.ft.	10A-120B:C	MB811C	YES
	Cosmic 5E (FE05CBV)		Brass	5 lbs.	10 lbs.	4-1/4"	16-3/8"	7-1/4"	.35 cu.ft.	3A-40B:C	MB818C	YES
	Cosmic 10E (FE10CBV)			10 lbs.	18-1/4" lbs.	5-1/2"	21"	7-3/4"	.65 cu.ft.	4A-80B:C	MB846C	YES
	Cosmic 20E (FE20CBV)			20 lbs.	33-1/2 lbs.	7-1/2"	21-1/4"	8-3/4"	1.0 cu.ft.	10A-120B:C	MB811C	YES

*Indicates mounting bracket standard. J hook wall bracket standard with all other extinguisher - mounting bracket available for those models at extra charge.

Note: NFPA regulations also require extinguishers to be inspected when initially placed in service and all local fire code and tagging requirements must be adhered to. All fire extinguisher sizes are nominal. Contact Customer Service for more information about ordering tagged extinguishers in your area.



9702 Newton Ave S. Bloomington, MN 55431 | Many Locations Across North America

800-554-6077

sales@activarcpg.com

www.activarcpg.com

Distributor: Wercro Building Specialties

Contractor: Dynamic Constructors

Date: 5-5-2026

Scale: N/A

Pages: 1 of 1

Project: Fire Station #10 Slidell

Approved By:

Architect: Dammon

Item #: FE05C

FIRE EXTINGUISHERS - OPTIONAL BRACKETS

All brackets are steel, with powder-coat paint, sized to fit each extinguisher class. J-Hook is supplied standard for all extinguishers except those listed under Standard for Extinguisher Model. Select "A" Brackets for "A" Extinguishers. Select "C" Brackets for "C" Extinguishers.



MB808A All Red



MB809A, MB809C, MB810A, MB810C, MB811C, MB812A All Black



**MB817C Chrome Strap
MB817A All Red**



MB818A All Red



MB818C Chrome Strap



MB846C Chrome Strap



MB846A All Red



**MB864A Rubber Straps
Optional Bracket**

See bracket product page for individual submittals on activarcpg.com.

Qty.		Bracket Number	Optional for Extinguisher Model	Standard for Extinguisher Model
		MB809C	Sentinel 5	--
		MB810C	Grenadier P, Sentinel 10, Sentinel 15, Saturn 15, Saturn 25, Mercury 11, Mercury 15-½	--
		MB811C	Cosmic 20, Sentinel 20, Galaxy 20, Cosmic 30, Purple K 20	--
1		MB818C	Cosmic 5E, Galaxy 5-½, Mercury 5, Purple K 5	Cosmic 5B
		MB846C	Cosmic 10E, Galaxy 10, Purple K 10	--
		MB817C	--	Cosmic 2-½, Galaxy 2-½, Mercury 2-½, Purple K 2-½
		MB808A	Cosmic 6E	--
		MB809A	Sentinel 5	--
		MB810A	Cosmic 20, Grenadier P, Sentinel 10, Sentinel 15, Saturn 15, Saturn 25, Purple K 20	--
		MB811A	Cosmic 20	--
		MB812A	Mercury 11, Mercury 15-½	--
		MB818A	Cosmic 5E, Purple K 5	Cosmic 5B
		MB846A	Cosmic 10E	--
		MB817A	--	Purple K 2-½
		MB810NM Non-Magnetic	Nebula 272, Nebula 270	--
		MB864A Rubber Straps	A Models	--

It is the responsibility of the customer to communicate specifications and product performance requirements that are needed for their application. This document is intended to convey potential product configurations and offerings. It is not to be used to imply or represent a specification or rating, of finished products shipped. Detailed, specific submittals can be created upon request. It is the responsibility of the customer to specify product accordingly to comply with local laws, codes, and ordinances.

Distributor:	Werco Building Specialties	Project:	Fire Station #10 Slidell
Contractor:	Dynamic Constructors	Approved By:	
Date:	5-5-2026	Architect:	Dammon
Scale:	N/A	Item#:	MB818C

Page 1 of 1



JL INDUSTRIES

9702 Newton Avenue S. Bloomington, MN 55431

800-554-6077

sales@activarcpg.com

www.activarcpg.com

FIRE EXTINGUISHER CABINET OPTIONS - DECALS, DIECUTS, & SIGNS

DECALS & DIECUTS FOR FIRE EXTINGUISHER CABINETS				SIZE W x H	
QTY	MODEL	ORIENTATION	DECAL OR DIECUT	TEXT / DESCRIPTION	COLOR
	LDVRF	Vertical	Decal	FIRE EXTINGUISHER	Red & Clear
	LDVWFE				White & Clear
	LDVBFE				Black & Clear
	LDCVRF				Red
	LDCVRRFE				Red (Reverse)
	LDCWFE				White
	LDCWRRFE				White (Reverse)
	LDCVBF	Vertical	Diecut	FIRE EXTINGUISHER	Black
	LDCVBRFE				Black (Reverse)
	LDCVRF-ESM-A			FIRE EXTINGUISHER	Red
	LDCVBF-ESM-A			fits 8100 & 18" high cabinets	Black
	LDCRF-2			FIRE EXTINGUISHER - Fits architectural cabinets except for 8100 & Clear Vu (2" Lettering meets IBC)	Red
	LDCWFE-2				White
	LDCBFE-2				Black
	LDCARFE	Ascending	Diecut	FIRE EXTINGUISHER	Red
	LDCAWFE				White
	LDCABFE				Black
	DFRA	Vertical	Decal	FIRE EXTINGUISHER	Red & White
	PHCD-RED			IN CASE OF FIRE PULL HANDLE...	Red & Clear
1	LDHRFE	Horizontal	Decal	FIRE EXTINGUISHER	Red & White
	LDHWFE				White
	LDHBFE				Black & White
	LDCRF				Red
	LDCWFE	Horizontal	Diecut	FIRE EXTINGUISHER	White
	LDCBFE				Black
	LD469Z81	Horizontal	Decal	FIRE EXTINGUISHER INSIDE	Red & White
	LD469Z82	Horizontal	Graphic		

Note: Images not to scale. White text is shown on gray background for visibility.



LDHRFE
7-1/8" x 2-1/4"



LDCHRF
7-3/4" x 2-1/4"



LDHWF
7-1/8" x 2-1/4"



LDCWFE
7-3/4" x 2-1/4"



LDHBFE
7-1/8" x 2-1/4"



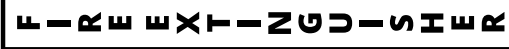
LDCBFE
7-3/4" x 2-1/4"



LDVRF
2" x 19"



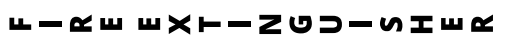
LDWRF
2" x 19"



LDBRF
2" x 19"



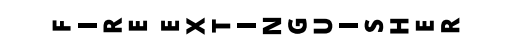
LDCVRF
3/4" x 18"



LDCVRRFE
3/4" x 18"



LDCVBF
3/4" x 18"



LDCVRF-ESM-A
3/4" x 14"



LDCVBF-ESM-A
3/4" x 14"



DRFA
3-1/2" x 12"

PHCD-RED
1" x 4-1/4"



LD469Z81
5" x 7"

LD469Z82
7" x 10"



JL INDUSTRIES

9702 Newton Avenue S. Bloomington, MN 55431

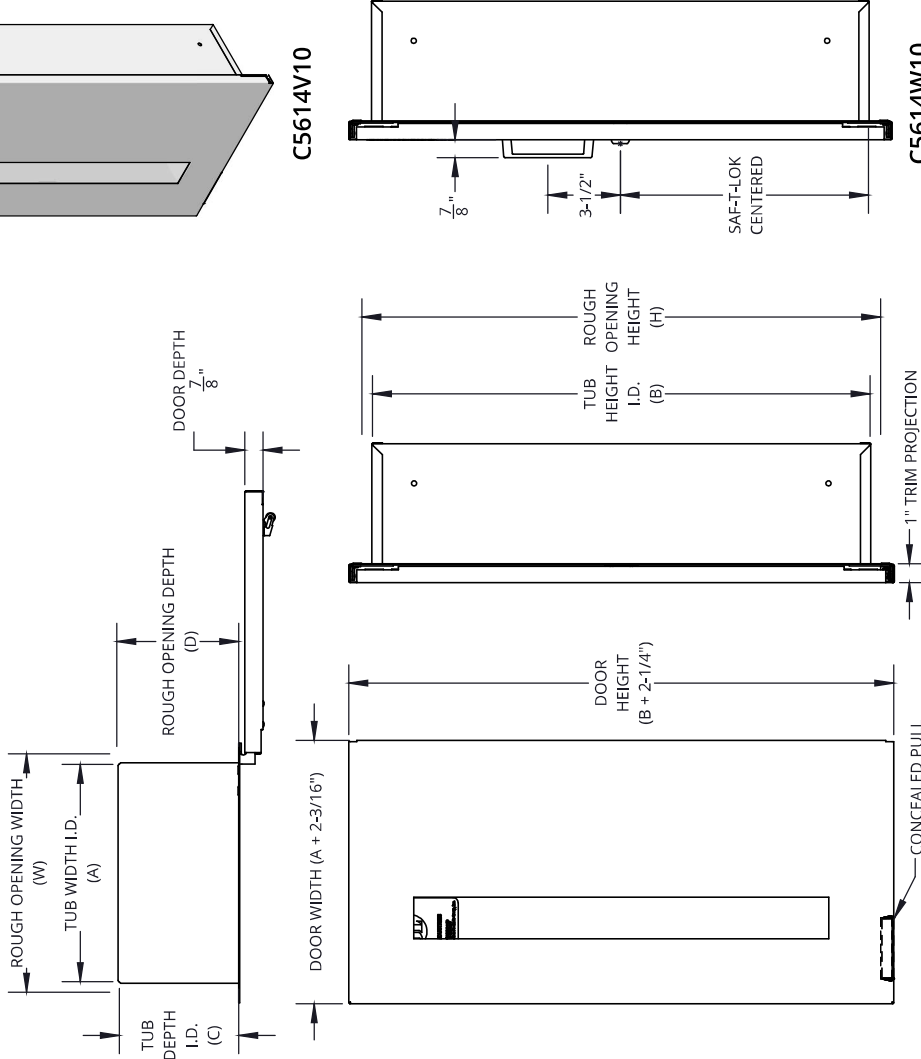
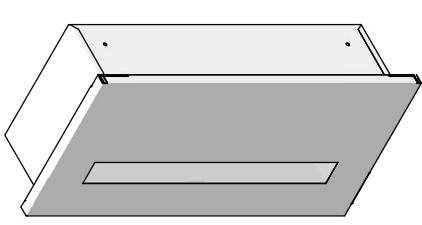
800-554-6077
sales@actvarcpg.com
www.actvarcpg.com

Distributor:	Werc Building Specialties	Project:	Fire Station #10 Slidell
Contractor:	Dynamic Constructors	Approved By:	
Date:	5-5-2026	Architect:	Dammon
Scale:	N/A	Item#:	LDHRFE
		Page 1 of 2	

FIRE EXTINGUISHER, VALVE & HOSE CABINET - EMBASSY™ SERIES

As a leader in the industry, JL Industries offers a decorative cabinet for Upscale applications: The Embassy Series. They offer a sleek and clean look for any building with a flush overlapping door for a finished surface.

QTY: (2) Two



SPECIFICATIONS:

Tub Material & Finish: Steel white powder coat
Tub forms a 1" flange to cover cut edges of wallboard material.
Knockouts: Hose and valve cabinets include dual knockouts for 1-1/2" and 2-1/2" diameter pipe located each side of tub, except for surface-mount and fire-rated, that are by others during installation

Trim & Door Material: Steel white powder coat
Trim Projection: Recessed 1" overlapping door - square
Door Style: Vertical duo
Glazing: .090" Clear acrylic
Hinge: Two concealed hinges at top & bottom of door; opens to 180°

Hardware: Concealed pull
ADA Compliance: Cabinet cannot protrude more than 4" and the handle cannot be mounted more than 48" above finished floor. Surface-mount and 4-1/2" trim style do not comply with ADA.

OPTIONS:

Tub: #4 stainless steel
Trim Material & Finish: Aluminum clear anodized, 304 Stainless steel #4, Bronze US10, Brass US3
Door Material & Finish: Aluminum clear anodized, 304 Stainless steel #4, Bronze US10, Brass US3

Door: Solid
Glazing: 1/8" clear tempered, 1/4" clear wired glass, 1/8" bronze acrylic, 1/8" gray acrylic, 1/4" clear laminated safety glass
Handle: Pull handle of matching material with cylinder SAF-T-LOK™
Alarms: Commander alarm, brigadier alarm, strobe alarm (install on wall)

Material: #6 satin stainless steel, #7 polished stainless steel, #8 mirror stainless steel, US9 polished bronze
Finish: Red, black, other powder coat colors
Lettering: Silkscreen, engraving, etching
Other: Shelf (5900 series only)

ADDITIONAL ACCESSORIES (sold separately)

Die cuts, decals, plastic signs
See supplemental submittals for more information on various options and accessories.

ADA CABINET MOUNTING HEIGHT:

Standard pull on W & L22 door styles with Saf-T-Lok are 3-1/2" higher than door center, so allow for that when mounting cabinet.

Interpretation of fire and building codes may vary. Consult with the local authority having jurisdiction (AHJ) to determine appropriate standards.



JL INDUSTRIES

9702 Newton Avenue S. Bloomington, MN 55431

800-554-6077

sales@actvarcpg.com

www.actvarcpg.com

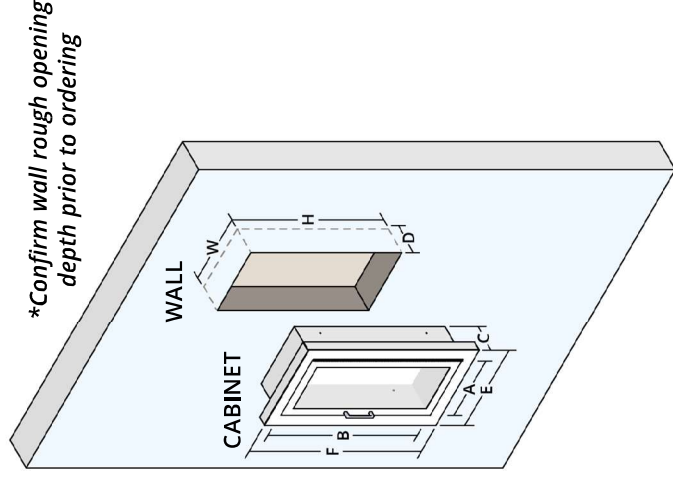
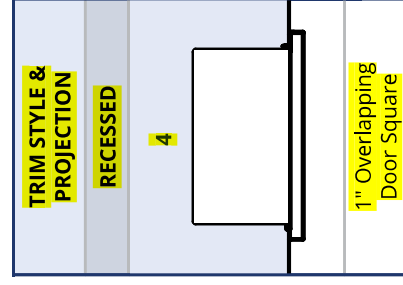
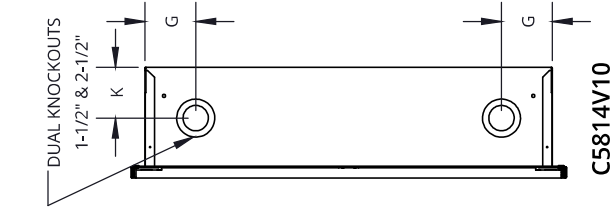
Distributor:	Wercro Building Specialties	Project:	Fire Station #10 Slidell
Contractor:	Dynamic Constructors	Approved By:	
Date:	5-5-2026	Architect:	Dammon
Scale:	N/A	Item#:	C5634S21
			Page 1 of 3

FIRE EXTINGUISHER, VALVE & HOSE CABINET - EMBASSY™ SERIES

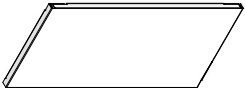
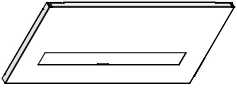
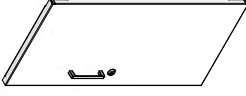
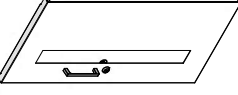
QTY MODEL - TRIMLESS WITH OVERLAPPING DOOR		ADA		TUB I. D.		DOOR O. D.		WALL ROUGH OPENING*			KNOCKOUT LOCATIONS			WT		COMPATIBLE FIRE EQUIPMENT						
STEEL	ALUM	STAINLESS STEEL	SATIN US10 BRONZE	US3 BRASS	US4 SATIN BRASS	US10B OIL RUBBED BRONZE	US3 BRASS	≤4"	WIDTH (A)	HEIGHT (B)	DEPTH (C)	WIDTH (E)	HEIGHT (F)	WIDTH (W)	HEIGHT (H)		DEPTH (D)	DEPTH L (U)	HEIGHT (G)	DEPTH R (K)	LBS	
C5614	C5624	2	C5634	C5644	C5654	C5674	C5684	C5694	✓	10-7/8"	24"	5-3/4"	12-11/16"	26-1/4"	11-1/2"	25"	5-7/8"	1	1	1	23	Cosmic & Galaxy 2.5 - 10 lb Sentinel 5 lb, Mercury 2.5 - 5 lb
C5714	C5724	C5734	C5744	C5754	C5754	C5754	C5784	C5794	✓	16"	32"	7-3/4"	18-3/16"	34-1/4"	17"	33"	7-7/8"	-	-	-	36	Any Cosmic, Galaxy, Mercury, Saturn, Nebula 250-272 or Grenadier, Sentinel 5 lb - 15 lb

FIRE EXTINGUISHER CABINETS

COMBINATION FIRE DEPARTMENT VALVE, FIRE HOSE & FIRE EXTINGUISHER CABINETS																					
STEEL	ALUM	STAINLESS STEEL	SATIN US10 BRONZE	US3 BRASS	US4 SATIN BRASS	US10B OIL RUBBED BRONZE	US3 BRASS	≤4"	WIDTH (A)	HEIGHT (B)	DEPTH (C)	WIDTH (E)	HEIGHT (F)	WIDTH (W)	HEIGHT (H)	DEPTH (D)	DEPTH L (U)	HEIGHT (G)	DEPTH R (K)	LBS	VALVE
C5514	C5524	C5534	-	-	-	-	-	✓	18"	18"	7-3/4"	20-3/16"	20-1/4"	19"	19"	7-7/8"	4"	9"	9"	20	Valve: KOs 1-1/2" & 2-1/2", 1 centered, each side of tub Fire Department Valve
C5814	C5824	C5834	-	-	-	-	-	✓	32"	32"	7-3/4"	34-3/16"	34-1/4"	33"	33"	7-7/8"	4"	4"	4"	45	Combination Valve & Hose: KOs 1-1/2" & 2-1/2"; Fire Department Valve & Extinguisher: Any Cosmic, Galaxy, Mercury, Saturn, Nebula 250-272 or Grenadier P, Sentinel 5 lb - 15 lb
C5914	C5924	C5934	-	-	-	-	-	✓	16"	40"	8-3/4"	18-3/16"	42-1/4"	17"	41"	8-7/8"	4-1/2"	4"	4"	38	Combination Valve & Extinguisher: KOs 1-1/2" & 2-1/2"; Fire Department Valve & Extinguisher: any Cosmic, Galaxy, Mercury, Saturn or Grenadier P, Sentinel 5 lb - 20 lb, Nebula 250-272



FIRE EXTINGUISHER, VALVE & HOSE CABINET - EMBASSY™ SERIES

SOLID	VERTICAL DUO
S21	V
	
STANDARD PULL & SAF-T-LOK	
L22	W
	

DOOR/LATCH STYLE

MODEL	DESCRIPTION	MODEL	DESCRIPTION
V	Vertical duo	10	.09" Clear acrylic
W	Vertical duo w SAF-T-LOK™	13	1/4" Clear wired glass
✓ S	Solid (no glazing)	15	1/8" Bronze acrylic
L	Solid (no glazing) w SAF-T-LOK™	16	1/8" Gray acrylic
		17	1/8" Clear tempered glass
		18	1/4" Clear safety glass
		✓ 21	No glazing, no lock w pull (S21 only)
		22	No glazing w SAF-T-LOK™ w pull (L22 only)
		24	No glazing w SAF-T-LOK™ and no pull (L24 only)

HANDLE/LATCH OPTIONS (installed at an additional cost)

MODEL	DESCRIPTION	MODEL	DESCRIPTION
A	Recessed handle	CA	Commander
MC	Magnetic latch (steel only; replaces roller catch)	BA	Brigadier
		SA	Strobe

ALARM OPTIONS (installed at an additional cost)

MODEL	DESCRIPTION	MODEL	DESCRIPTION
F6	#6 Stainless steel finish	BK	Black door, trim, tub
F7	#7 Stainless steel finish	R	Red door, trim, tub
F8	#8 Stainless steel finish	COLOR - OTHER (please specify)	
		Door	
		Trim	
		Tub	

MATERIAL OPTIONS

FINISH OPTIONS

CUSTOM LETTERING OPTIONS (when manufactured at additional cost)

Refer to supplemental submittal for more options

HANDLE/LATCH OPTIONS (sold separately)

QTY	MODEL	DESCRIPTION
	PUF	Futura "FIRE" Mill
	PUFR	Futura "FIRE" Red
	PUFW	Futura "FIRE" White
	PUCH	Chrome pull handle

PLASTIC SIGNS (sold separately)

QTY	MODEL	DESCRIPTION
	225	FE, 3D ANGLE, 4" x 12"
	235	FE, 3D TENT, 4" x 18"
	245	FE, 3D TENT, 5" x 6"
	255	FE, FLUSH, 4" x 12"

LETTERING (sold separately)

QTY	MODEL	"FIRE EXTINGUISHER" DESCRIPTION
	LDCVRFE	DIE CUT, VERT, RED, 3/4" x 18"
	LDCVWFE	DIE CUT, VERT, WHITE, 3/4" x 18"
2	LDCVBFE	DIE CUT, VERT, BLACK, 3/4" x 18"
	LDVRFE	DECAL, VERT, RED, 3/4" x 18"
	LDVBFE	DECAL, VERT, BLACK, 3/4" x 18"
	LDVWFE	DECAL, VERT, WHITE, 3/4" x 18"
	LDCVRFE-ESM-A	DIE CUT, VERT, RED, (fits 81 tub), 3/4" x 14"
	LDCHRFE-2	DIE CUT, HORIZ, RED, 2" HIGH, 4-1/2" x 21"
	Other	

Refer to supplemental submittal for more options

Refer to supplemental submittals for information on more options and accessories.

It is the responsibility of the customer to communicate specifications and product performance requirements that are needed for their application. This document is intended to convey potential product configurations and offerings. It is not to be used to imply or represent a specification or rating of finished products shipped. Detailed, specific submittals can be created upon request. It is the responsibility of the customer to specify product accordingly to comply with local laws, codes, and ordinances.