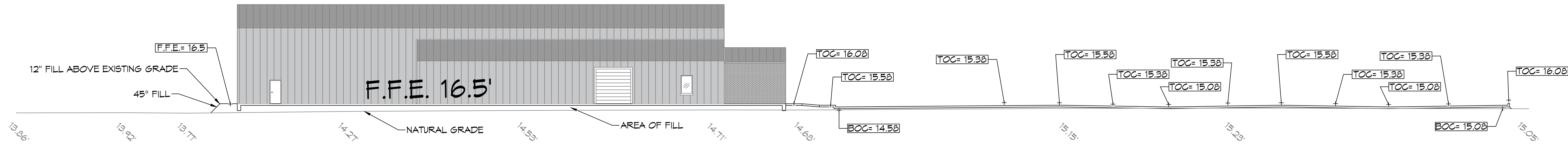
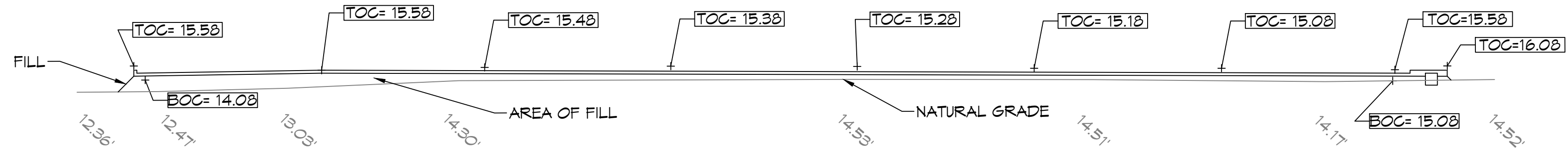


P:\E-Draws\A-1\30000\Project\3002 - Pope John High School Auditorium\Drawings\Cross Section\A.dwg, Thursday, March 26, 2020, 10:28:48 AM



A CROSS SECTION
 SCALE: 1" = 15'-0"



B CROSS SECTION
 SCALE: 1" = 15'-0"

DAMMON
ENGINEERING, INC.
 LOUISIANA & MISSISSIPPI

Chief Engineer: Brian Mistich, PE
 554 Old Spanish Trail
 Slidell, LA 70468
 www.dammonengineering.com
 info@dammonengineering.com
 PH: 985.649.5832 F: 985.641.9950

#	DESCRIPTION	DATE



NEW AUDITORIUM
 POPE JOHN PAUL
 HIGH SCHOOL

1901 JAGUAS DR
 SLIDELL, LA 70461
 JOB No: 2522 DATE: 09-27-2026
 DRAWN BY: BAW CHECKED BY: CKD

SHEET TITLE:
 SITE SECTION

DRAWING NUMBER:
C105

SHEET No: 7 of 20