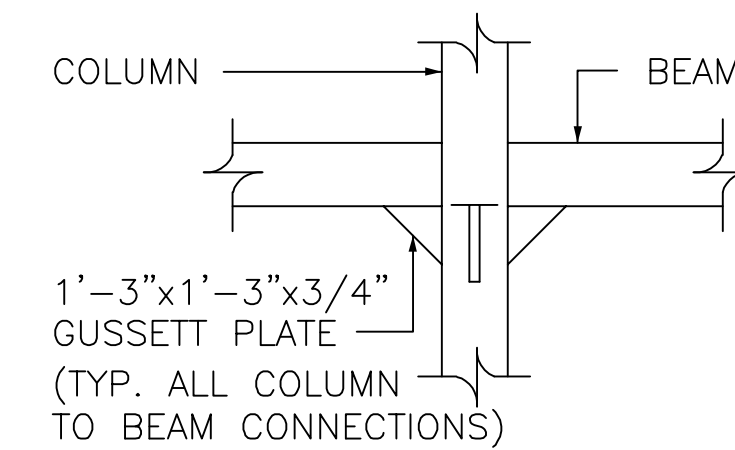


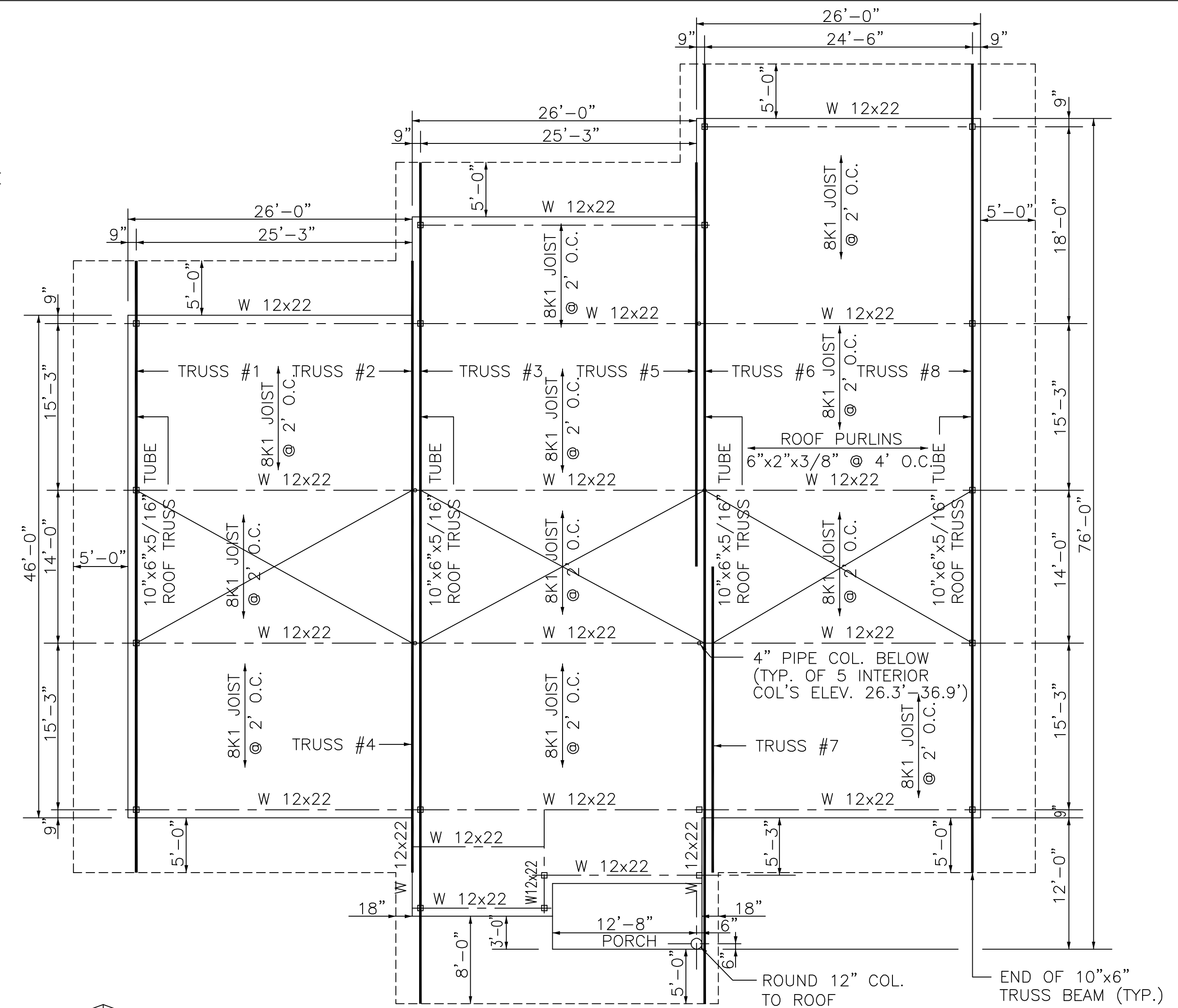
**FRAMING PLAN @ ELEV. 23.5' TOP OF SLAB (2nd FLOOR)**  
 COLUMNS ELEV. 23.5' TO 35.5'  
 SCALE: 1/8"=1'-0"

- LEGEND**
- - COLUMN 6"x6"x1/2" TUBE
  - - COLUMN 4" SCHEDULE 80 PIPE

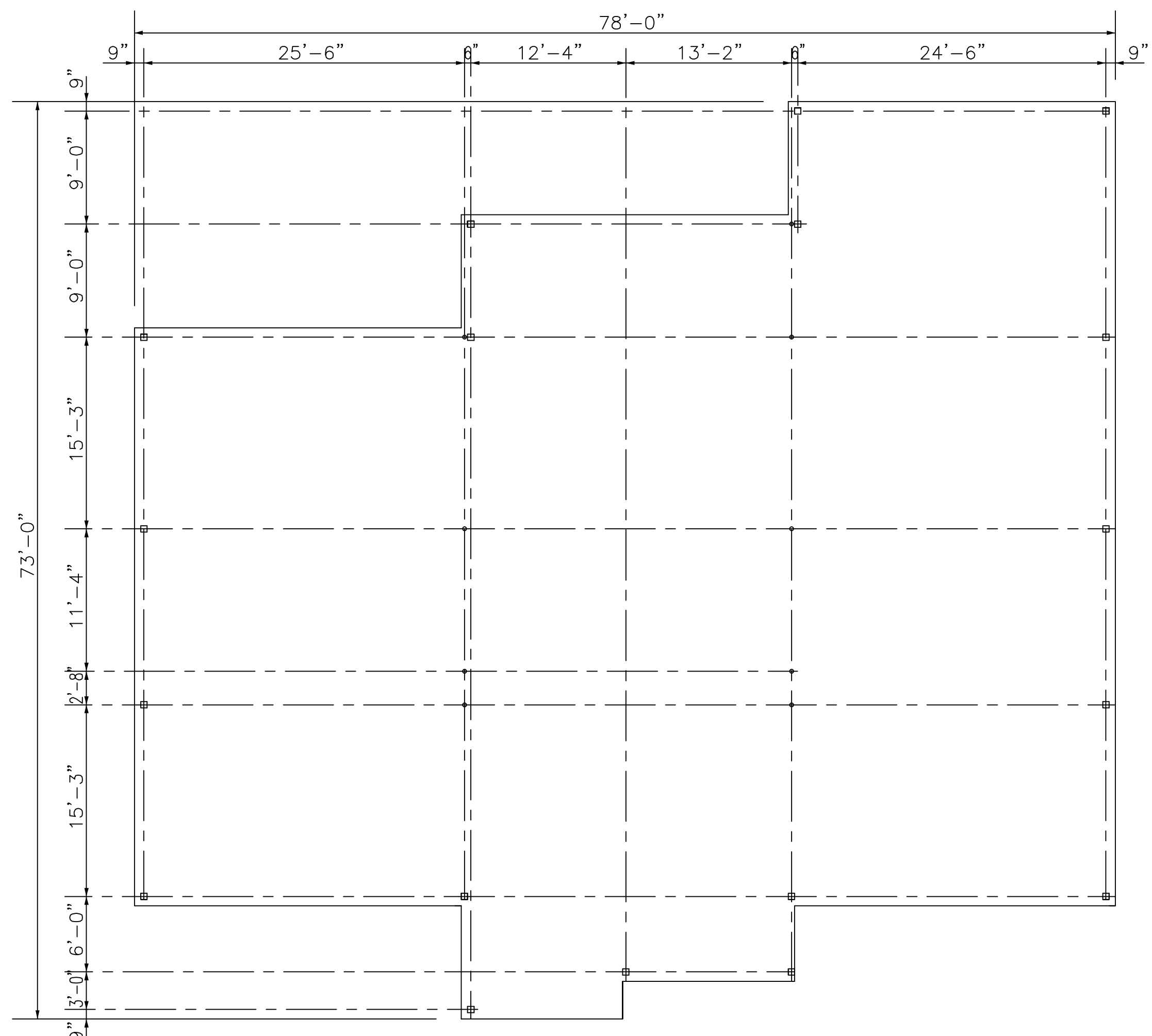
4"x4"x1/4" TUBE (TYP.)



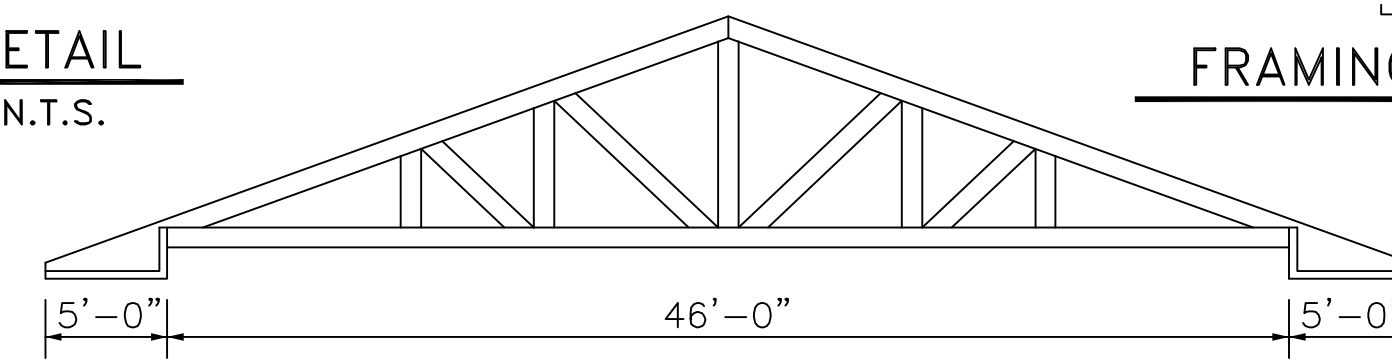
**DETAIL**  
 N.T.S.



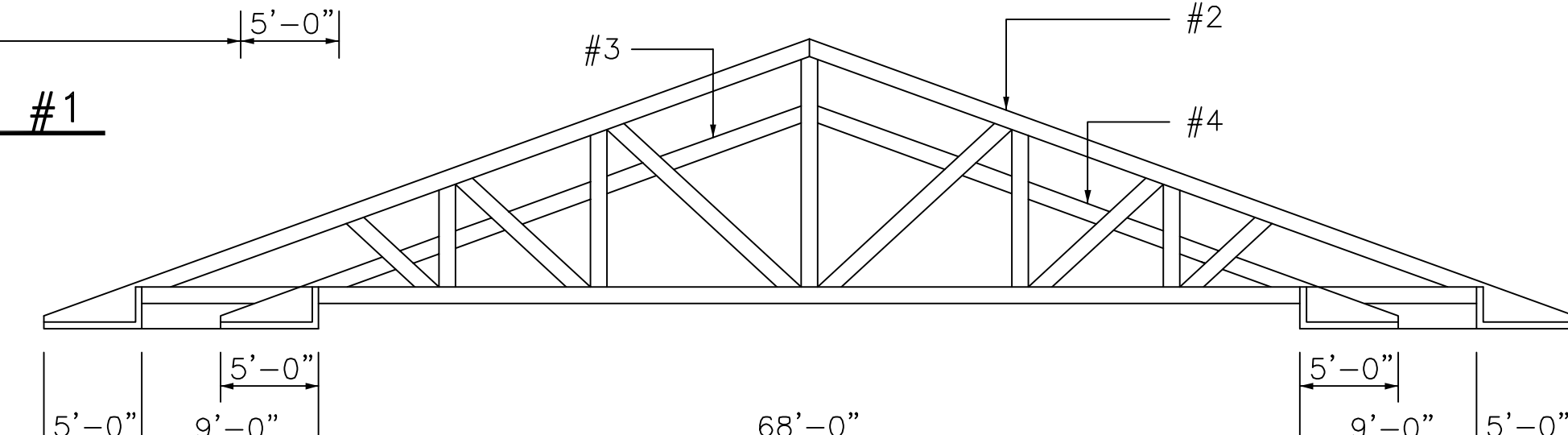
**FRAMING PLAN @ ELEV. 35.5' TOP OF STEEL**  
 SCALE: 1/8"=1'-0"



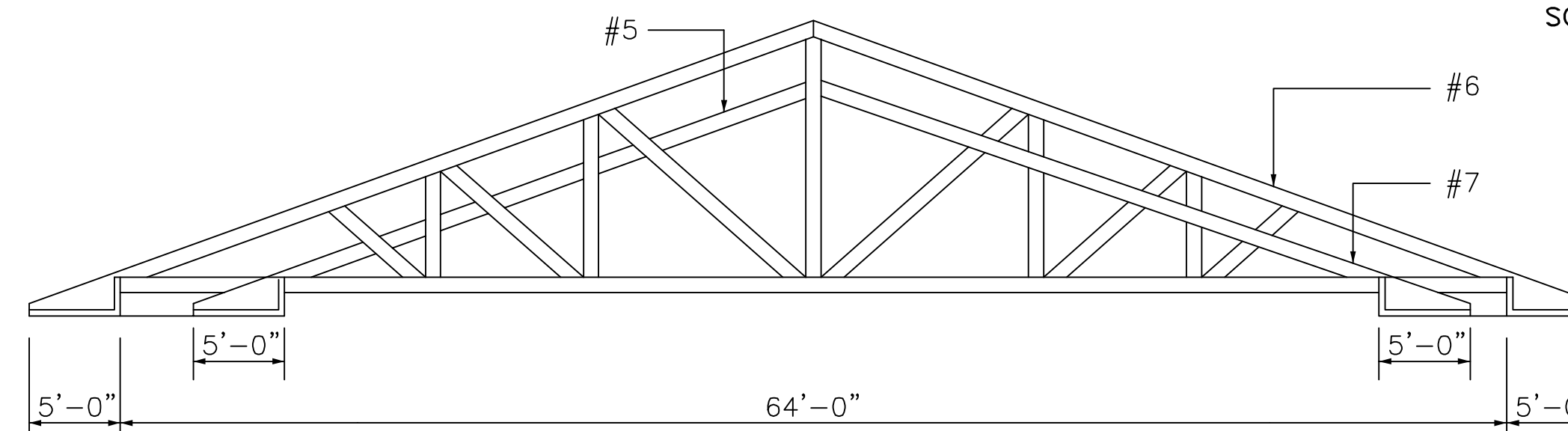
**COLUMN PLAN @ ELEV. 11.5' (1st FLOOR)**  
 SCALE: 1/8"=1'-0"



**SECTION-ROOF TRUSS #1**  
 SCALE: 1/8"=1'-0"

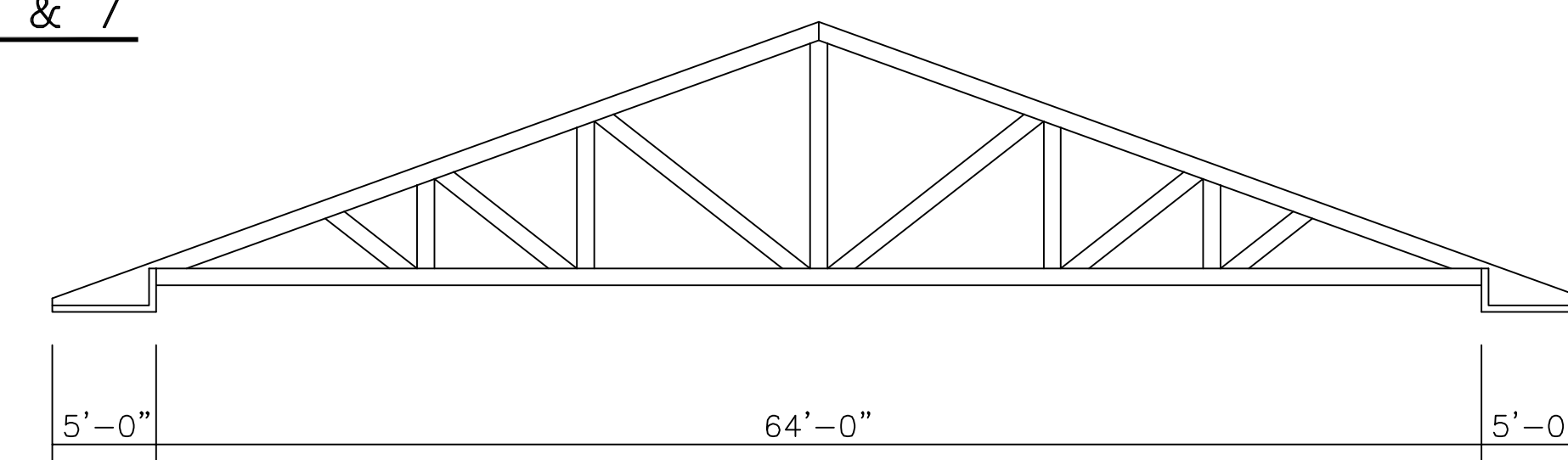


**SECTION-ROOF TRUSS #'s 2, 3, & 4**  
 SCALE: 1/8"=1'-0"



**SECTION-ROOF TRUSS #'s 5, 6, & 7**  
 SCALE: 1/8"=1'-0"

NOTE: ROOF TRUSSES SHALL BE DESIGNED BY MTL BLDG. CONTRACTOR. HORIZONTAL AND VERTICAL BRACING SHALL BE DESIGNED BY MTL BUILDING MANUFACTURER.



**SECTION-ROOF TRUSS #8**  
 SCALE: 1/8"=1'-0"

NOTE: TRUSS BEAM #'s 3, 4, 6, 7 WELDED TO SIDE OF PARENT TRUSS