

Ordering Information

Accessories/hardware:		
Drain	K-7161-AF	recommended

Product Information

Fixture*:	basin area	top area	weight
Bathing well	1092 x 711mm	1321 x 813mm	41 Kg.
	water depth	capacity	
To overflow	330mm	208 Litres	

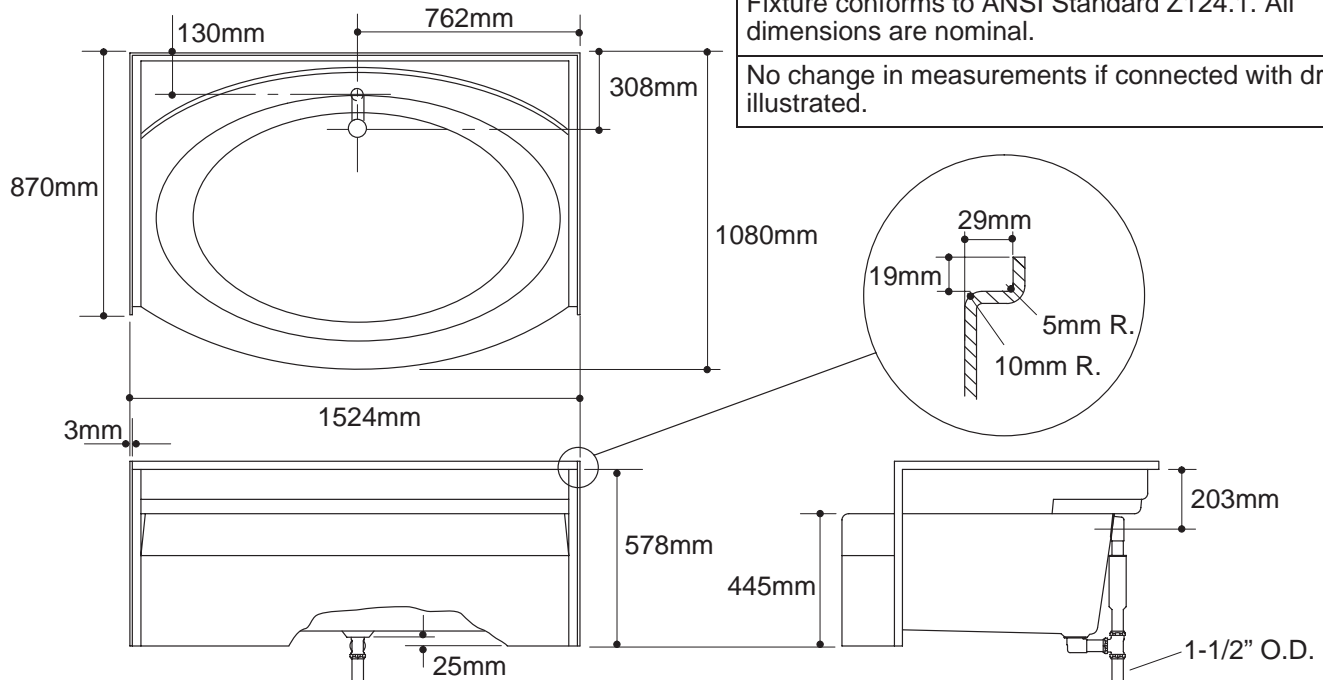
* Approximate measurements for comparison only.

Installation Notes

Refer to installation instructions included with fixture before beginning installation.

If installing a rim-mount faucet, make sure there is no interference with drain overflow before drilling any holes. Consult local and national codes for minimum air gap requirements if installing a spout on the faucet deck.

NOTICE: Unless otherwise specified, floor support under bath must provide for a minimum of 36 Kg./square foot loading.



Roughing-In Notes
Fixture conforms to ANSI Standard Z124.1. All dimensions are nominal.
No change in measurements if connected with drain illustrated.

1.25>132