

**KITCHEN SINK FAUCET  
K-P15251  
PROJECT PACK**

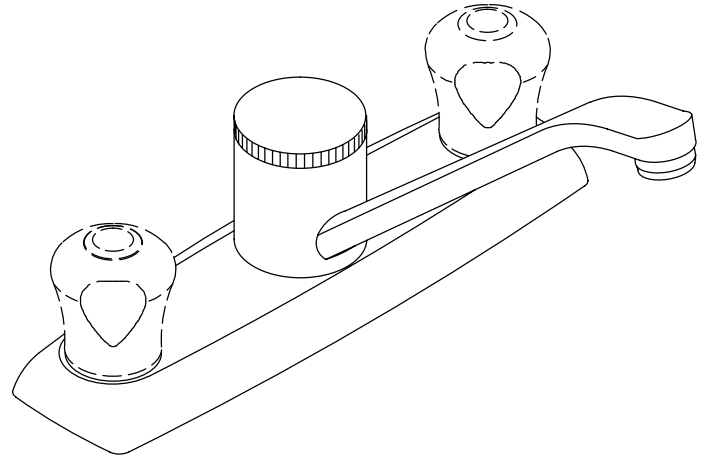
**FEATURES**

- Metal construction
- For 8" centers
- Reversible quarter-turn washerless ceramic disc valves
- 7-5/8" swing spout
- 2.5 gallons per minute
- Available with sculptured acrylic or blade handles
- Packaged six per case

**CODES/STANDARDS APPLICABLE**

Specified model meets or exceeds the following:



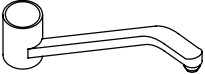
- ASME/ANSI A112.18.1M
- California Energy Commission
- Canadian Standards Association (CSA)
- Energy Policy Act of 1992
- IAPMO/UPC
- NSF 14



**COLORS/FINISHES**

- CP Polished Chrome

**SPECIFIED MODEL:**

Model	Description		 <span style="border: 1px solid black; padding: 2px;">ADA</span>
K-P15251	With Sculptured Acrylic Handles	<input type="checkbox"/> CP	
K-P15251-B	With Blade Handles		<input type="checkbox"/> CP
Optional Accessory			
K-15280	12" Swing Spout and Aerator	<input type="checkbox"/> CP	

**PRODUCT SPECIFICATION:**

Two-handle kitchen sink faucet shall be of metal construction. Faucet shall feature reversible quarter-turn washerless ceramic disc valves, assuring positive handle stop positioning. Product shall include 8" centers, 7-5/8" swing spout, and sculptured acrylic or blade handles. Faucet shall be Kohler Model K-P15251-\_\_\_\_-CP. Project Pack faucets are packaged six per case.

