

WALL-MOUNT LAVATORY

K-1722, K-1724, K-1728

ADA

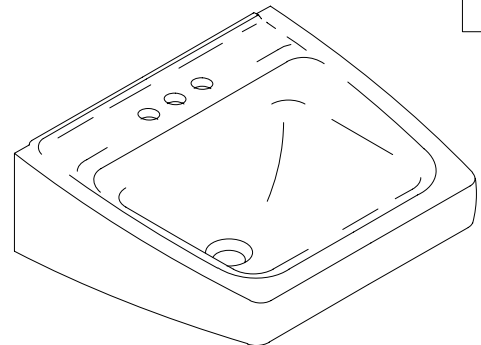
FEATURES

- 19-1/4" x 17-1/4"
- Vitreous china
- Ledge-back
- 8" centers (K-1724), 4" centers (K-1728) or single-hole (K-1722)
- With overflow
- ADA compliant
- With hanger
- Drilled for concealed arm carrier

CODES/STANDARDS APPLICABLE

Specified model meets or exceeds the following:

- ADA
- ASME/ANSI A112.19.2M
- CABO/ANSI A117.1
- IAPMO/UPC
- State of Massachusetts



COLORS/FINISHES

- 0 White
- Other Refer to Fixtures Price Book for additional colors

Accessories:

- CP Polished Chrome
- Other Refer to Faucets Price Book for additional finishes

SPECIFIED MODEL:

Model	Description	Colors/Finishes	
		<input type="checkbox"/> 0 White	<input type="checkbox"/> Other_____
K-1724	8" centers lavatory	<input type="checkbox"/> 0 White	<input type="checkbox"/> Other_____
K-1728	4" centers lavatory	<input type="checkbox"/> 0 White	<input type="checkbox"/> Other_____
K-1722	Single-hole lavatory	<input type="checkbox"/> 0 White	<input type="checkbox"/> Other_____

Recommended Accessories

K-8998	Trap	<input type="checkbox"/> CP	<input type="checkbox"/> Other_____
--------	------	-----------------------------	-------------------------------------

PRODUCT SPECIFICATION:

The lavatory shall be 19-1/4" in length, and 17-1/4" in width. Lavatory shall be made of vitreous china. Lavatory shall be ledge-back with hanger. Lavatory shall have 8" centers (K-1724), 4" centers (K-1728), or single-hole (K-1722) drilling. Lavatory shall be drilled for concealed arm carrier. Lavatory shall have overflow. Lavatory shall be ADA compliant. Lavatory shall be Kohler Model K-_____-_____-_____.

PRODUCT INFORMATION

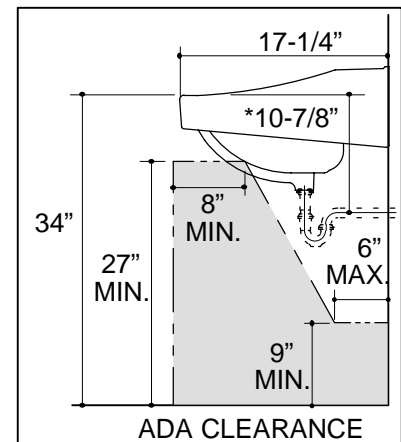
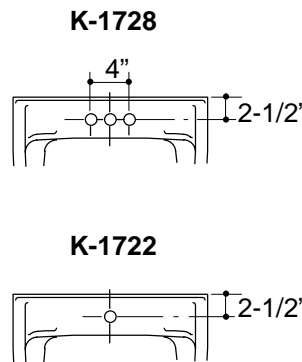
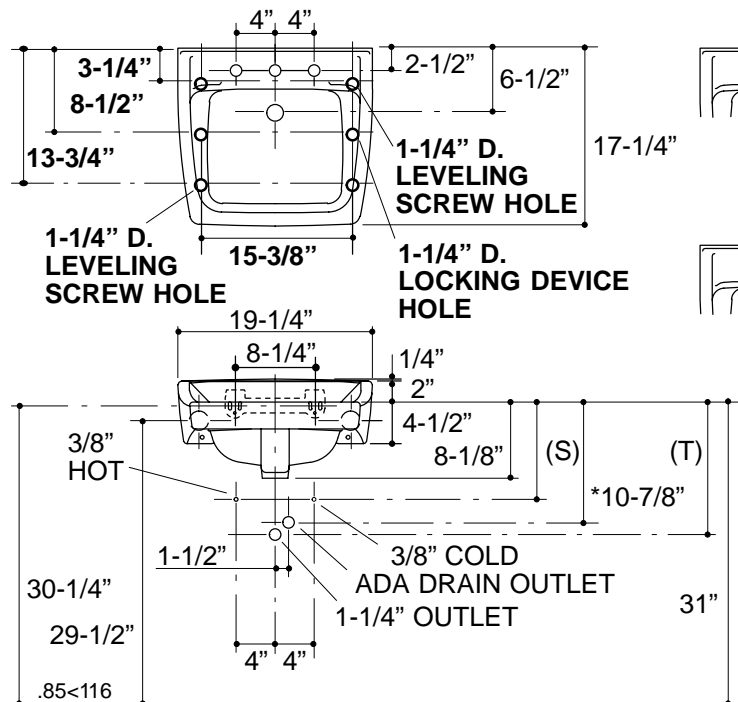
ADA compliant.			
Fixture*:		basin area	water depth
Lavatory		14" x 11"	4-7/8"
Outlet	1-3/4" D.		
* Approximate measurements for comparison only.			
Holes	K-1724	K-1728	K-1722
Spout	1-3/16" D.	1-3/16" D.	1-3/8" D.
Faucet	1-3/8" D.	1-3/16" D.	
Soap dispenser			1-1/4" D.

Included Components:	
Hanger	64839

INSTALLATION NOTES

Refer to installation instructions included with fixture before beginning installation.

CONCEALED ARM HOLE LOCATIONS K-1724



Roughing-In Notes

*Based on K-8998, with 1" tailpiece exposed.

(T) Pop-up drain 13-3/4", grid drain 12-7/8".

(S) 10" (Based on 12" riser which may require cutting).

Supplied hanger not used with concealed arm carrier.

PRODUCT DIAGRAM